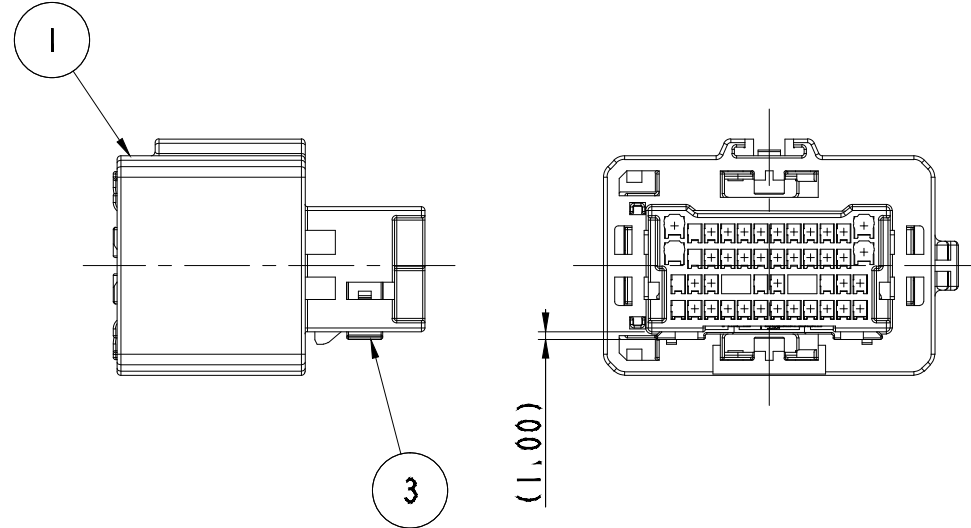
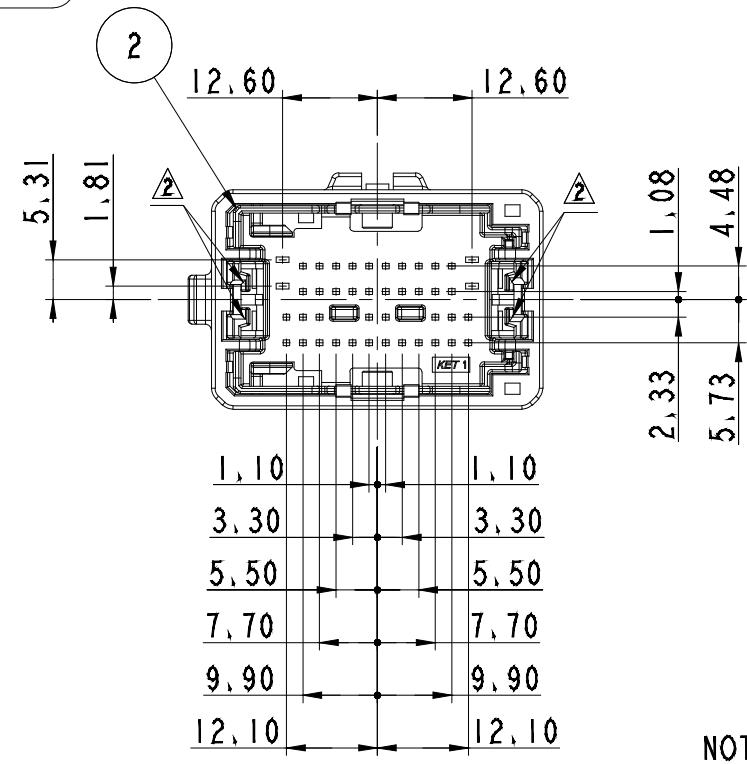
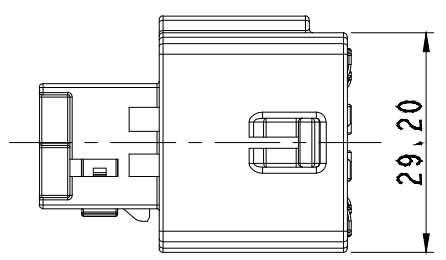


GENERAL TOLERANCE (HOUSING)										USED ON
10 MAX	30 MAX	50 MAX	70 MAX	100 MAX	120 MAX	250 MAX	250 VR	ANGLE	ECCENT	
±0.15	±0.2	±0.3	±0.4	±0.5	±0.75	±0.9	±1.4	±30'	0.1	

- 주 기
1. 기능상 유해한 BURR 및 WELDLINE 등이 없을 것,
 2. 적용 TERMINAL(C025) : ST741360-3, 1361-3, 1360-G, 1361-G
적용 TERMINAL(C060) : ST741362-3, 1363-3, 1364-3
적용 CONNECTOR : MG656928
 3. 제품내 함유된 6대 유해물질 (납, 수은, 카드뮴, 6가크롬, PBBs, PBDEs)은 EU ELV 지침 및 RoHS 법규에서 지정한 최대 허용 농도를 초과해서는 안된다,



NO.	MATERIAL	COLOR
* 0	P B T	NATURAL
1		RED
2		BLUE
20		JADE
3		YELLOW
4		GRAY
40		DARK GRAY
41		LIGHT GRAY
5		BLACK
6		GREEN
7		BROWN
8	LIGHT GREEN	
9	MAGENTA	
11	ORANGE	

- NOTE
1. MUST BE FREE OF FLASH, WELDLINE AND IMPERFECTION THAT AFFECT FUNCTION,
 2. APPLICABLE TERMINAL(C025) : ST741360-3, 1361-3, 1360-G, 1361-G
APPLICABLE TERMINAL(C060) : ST741362-3, 1363-3, 1364-3
APPLICABLE CONNECTOR : MG656928
 3. 6 HAZARDOUS SUBSTANCES IN PARTS (LEAD, MERCURY, CADMIUM, HEXAVALENT CHROMIUM, PBBs, PBDEs) SHALL NOT EXCEED THE MAXIMUM PERMISSIBLE CONCENTRATION PRESCRIBED UNDER EU ELV DIRECTIVE & RoHS REGULATION,



ISSUE MARK

NO.	PART NAME	PART NO.	MATERIAL	COLOR	QTY.
1	025060 44M HOUSING	MG676868	SEE TABLE	SEE TABLE	1
2	025060 44M PLATE	MG676869-5	POM	BLACK	1
3	025060 44M SPACER	MG676870-41	PBT	LIGHT GRAY	1

MATERIAL	SEE TABLE	FINISH	SEE TABLE	WIRE RANGE	CLASS HYBRID
ECO-1801-356 근거 도면 제작성	MSJ HYJ CJH 18.02.28	ECO-1704-535 근거 도면 제작성	NST WDH LJE 17.05.02	INSULATION	TYPE 025/060
LTR REVISION RECORD	DR, CHK, APP, DATE	TOLERANCE EXCEPT AS NOTED	SCALE 1/1	PART NO.	MG646095
DR, NST 2017.04.03	CHK,	PART_NAME	025060 44M ASSY		
CHK, WDH 2017.04.03	APP, LJE 2017.04.03				