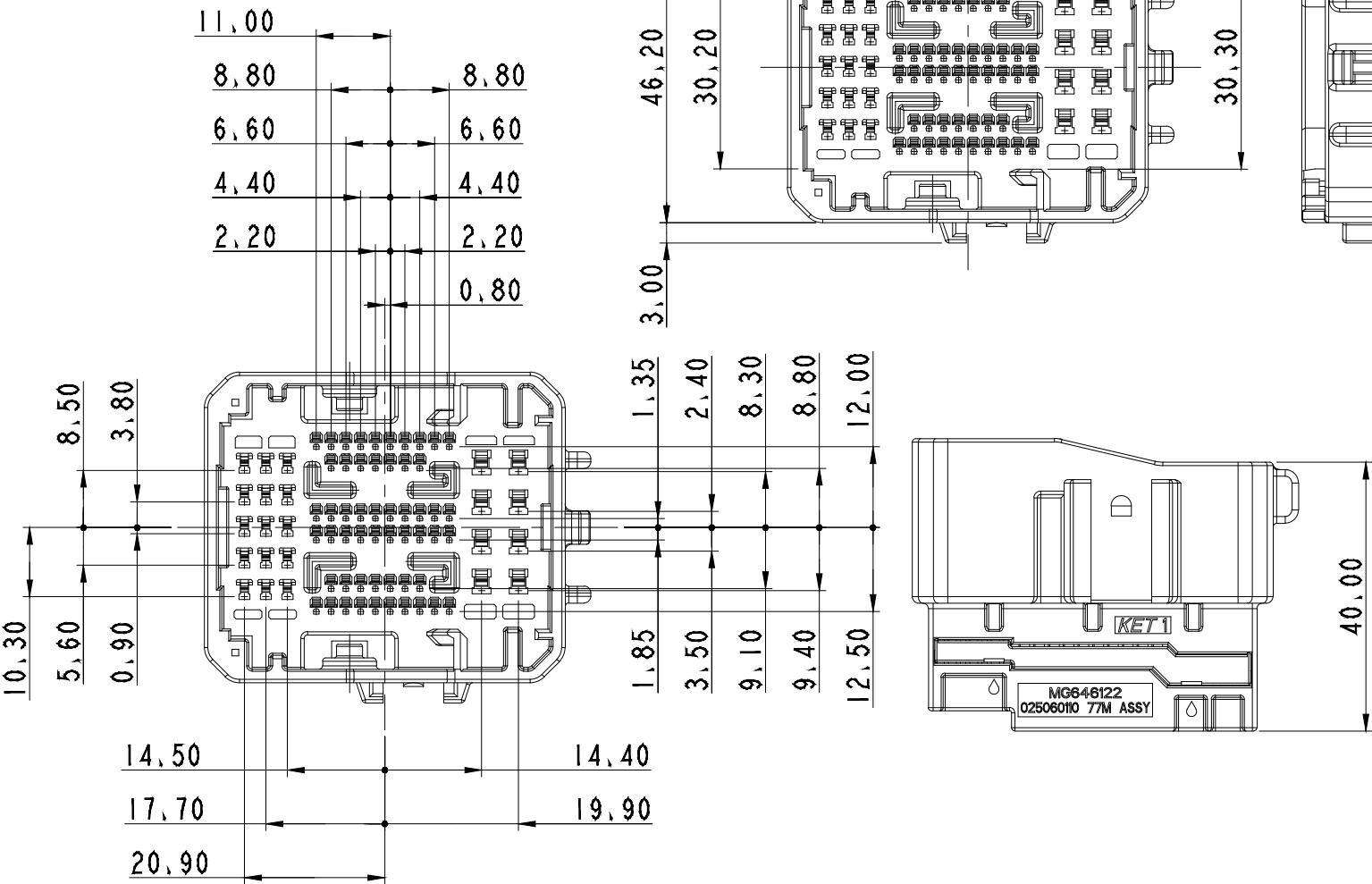


ISO VIEW



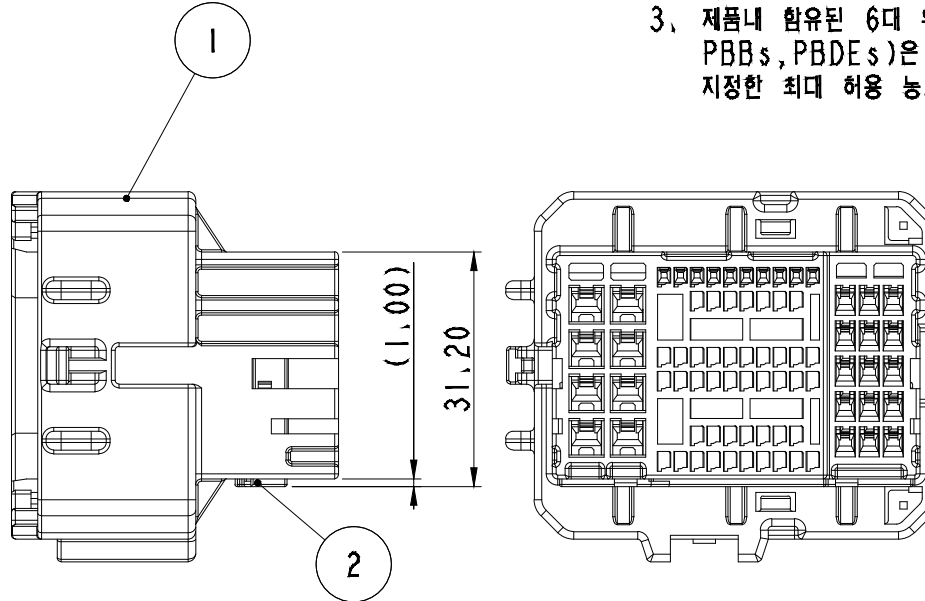
PITCH DETAIL

GENERAL TOLERANCE (HOUSING)

| | | | | | | | | | | |
|--------|--------|--------|--------|---------|---------|---------|--------|-------|--------|---------|
| 10 MAX | 30 MAX | 50 MAX | 70 MAX | 100 MAX | 120 MAX | 250 MAX | 250 VR | ANGLE | ECCENT | USED ON |
| ±0.15 | ±0.2 | ±0.3 | ±0.4 | ±0.5 | ±0.75 | ±0.9 | ±1.4 | ±30' | 0.1 | |

주 기

1. 기능상 유해한 BURR 및 WELDLINE 등이 없을 것.
2. 적용 TERMINAL(02511) ; ST741345, 1346-3
적용 TERMINAL(060) ; ST741331, 1332, 1333-3
적용 TERMINAL(110) ; ST741285 1286, 1287-3
적용 CONNECTOR ; MG655702
3. 제품내 함유된 6대 유해물질 (납,수은, 카드뮴, 6가크롬, PBBs, PBDEs)은 EU ELV 지침 및 RoHS 법규에서 지정한 최대 허용 농도를 초과해서는 안된다.



| NO. | MATERIAL | COLOR |
|-----|-------------|------------|
| 0 | P B T | NATURAL |
| 1 | | RED |
| 2 | | BLUE |
| 22 | | JADE |
| 3 | | YELLOW |
| 4 | | GRAY |
| 42 | | DARK GRAY |
| 41 | | LIGHT GRAY |
| * 5 | | BLACK |
| 62 | | DARK GREEN |
| 7 | | BROWN |
| 61 | LIGHT GREEN | |
| 9 | MAGENTA | |
| 11 | ORANGE | |

NOTE

1. MUST BE FREE OF FLASH, WELDLINE AND IMPERFECTION THAT AFFECT FUNCTION.
2. APPLICABLE TERMINAL(02511) ; ST741345, 1346-3
APPLICABLE TERMINAL(060) ; ST741331, 1332, 1333-3
APPLICABLE TERMINAL(110) ; ST741285 1286, 1287-3
APPLICABLE CONNECTOR ; MG655702
3. 6 HAZARDOUS SUBSTANCES IN PARTS (LEAD, MERCURY, CADMIUM, HEXAVALENT CHROMIUM, PBBs, PBDEs) SHALL NOT EXCEED THE MAXIMUM PERMISSIBLE CONCENTRATION PRESCRIBED UNDER EU ELV DIRECTIVE & RoHS REGULATION.

APPROVED

2019-11-05

KOREA ELECTRIC
TERMINAL CO., LTD.
Korea Electric Te
rminal Co., LTD.

ISSUE MARK

| NO. | PART NAME | PART NO. | MATERIAL | COLOR | Q'TY |
|-----|-----------------------|-------------|-----------|--------|------|
| 1 | 025060110 77M HOUSING | MG676971 | SEE TABLE | | 1 |
| 2 | 025060110 77M SPACER | MG675885-41 | PBT | L/GRAY | 1 |

| | | | |
|--------------------|---------------------|--------------------------|--------------------------------------|
| MATERIAL | SEE TABLE | KET ENGINEERED | KOREA ELECTRIC TERMINAL CO., LTD. |
| FINISH | SEE TABLE | | |
| WIRE RANGE | | CLASS | HYBRID |
| INSULATION | | TYPE | 025/060/110 |
| LTR | REVISION RECORD | DR, LCK 2017.07.04 | CHK, WON 2017.07.04 |
| DR, LCK 2017.07.04 | CHK, WON 2017.07.04 | APP, LJE 2017.07.04 | |
| CHK, | APP, LJE 2017.07.04 | PART_NAME | 025060110 77M HOUSING (CLIP TYPE) |