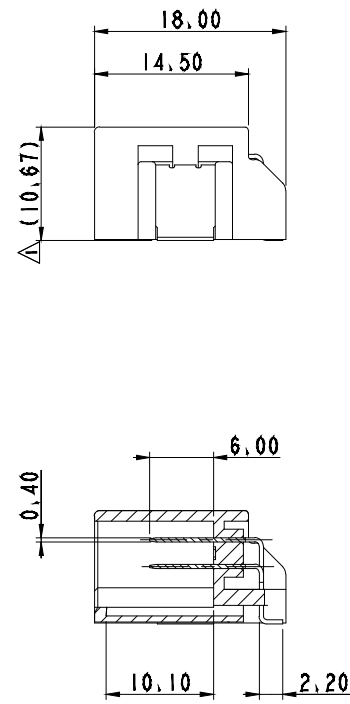
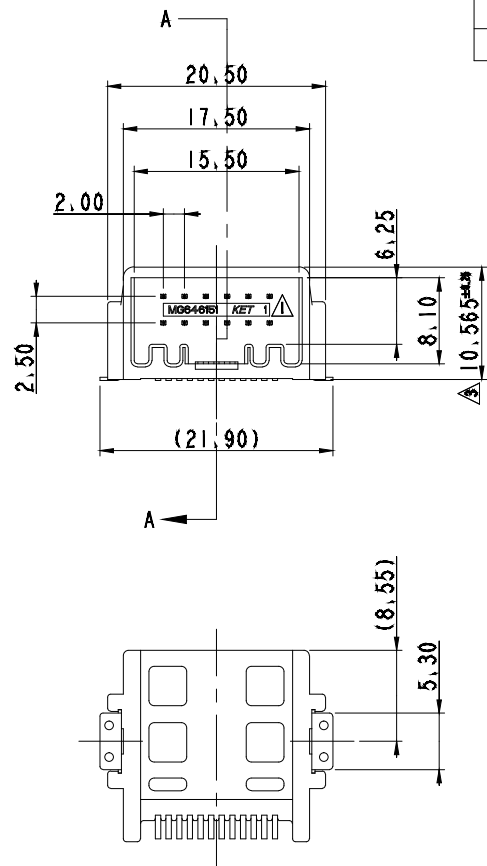
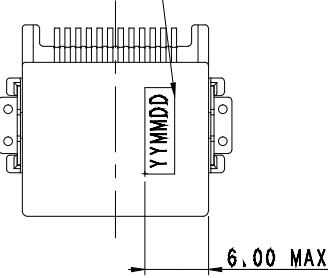


ISO VIEW

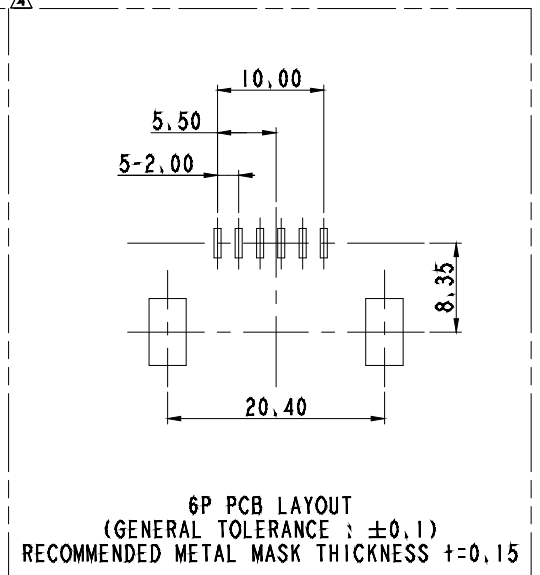
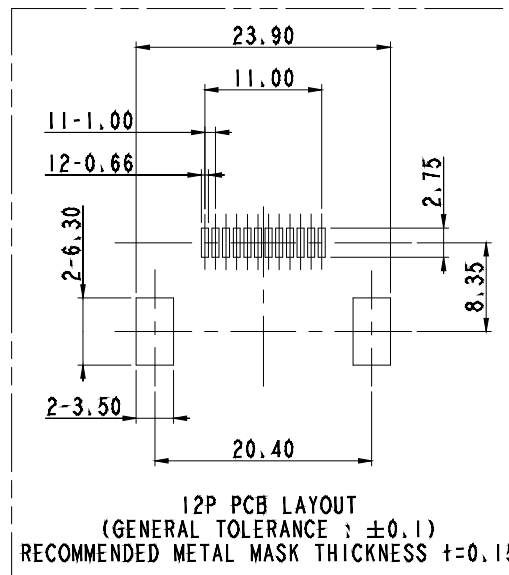
LASER MARKING POSITION



SECTION A-A

GENERAL TOLERANCE (TERMINAL)					GENERAL TOLERANCE (HOUSING)							USED ON
10 MAX	20 MAX	45 MAX	ANGLE	ECCENT	10 MAX	50 MAX	100 MAX	250 MAX	250VR	ANGLE	ECCENT	
±0.2	±0.25	±0.3	±30'	0,1	±0.20	±0.30	±0.55	±0.95	±1.4	±30'	0,1	

020 12M SMD ASSY A(HZT)		020 12M SMD ASSY B(HZT)		020 12M SMD ASSY B(HZT-6P)	
	6.25 12.70		6.75 5.45 11.80 6.25		6.75 5.45 11.80 6.25
PART No. MG646151-5	FINISH BLACK	PART No. MG645998	FINISH NATURAL		
020 12M SMD ASSY C(HZT)		020 12M SMD ASSY D(HZT)			
	6.25 5.45 11.80		6.25 10.90 13.70		5-2.00 10.00
PART No. MG646044-4	FINISH GRAY	PART No. MG646086-2	FINISH BLUE	PART No. MG645998-Z	FINISH NATURAL



NO.	MATERIAL	COLOR
△* 0	LCP-GF30	NATURAL
1		RED
△* 2	BLUE	
20	JADE	
3	YELLOW	
△* 4	GRAY	
40	DARK GRAY	
41	LIGHT GRAY	
* 5	BLACK	
6	DARK GREEN	
7	BROWN	
8	LIGHT GREEN	
9	MAGENTA	
11	ORANGE	

APPROVED

2019-11-05

**KOREA ELECTRIC
TERMINAL CO., LTD.
Korea Electric Terminal Co., LTD.**

- 주 기
1. 기능상 유해한 BURR 및 WELDLINE 등이 없을 것
△2. 적용 FEMALE HOUSING : MG656971-5, MG656807, MG656844-4, MG656882-2
3. 단자 주석 도금 - TYPE A Sn(무광), (MS915-01)
Ni 하지 도금 + Sn(무광) + Reflow
4. 제품내 함유된 10대 유해물질 (납, 수은, 카드뮴, 6가크롬, PBBs, PBDEs, DHEP, DBP, BBP, DIBP)은 EU ELV 지침 및 RoHS 법규에서 지정한 최대 허용 농도를 초과해서는 안된다.

- NOTE
1. MUST BE FREE OF FLASH, WELDLINE AND IMPERFECTION THAT AFFECT FUNCTION
△2. APPLICABLE FEMALE HOUSING : MG656971-5, MG656807, MG656844-4, MG656882-2
3. TIN-PLATED TERMINAL - TYPE A Sn(MATT), (MS915-01)
Ni-PLATED UNDER + Sn(MATT) + Reflow
4. 10 HAZARDOUS SUBSTANCES IN PARTS (LEAD, MERCURY, CADMIUM, HEXAVALENT CHROMIUM, PBBs, PBDEs, DEHP, DBP, BBP, DIBP) SHALL NOT EXCEED THE MAXIMUM PERMISSIBLE CONCENTRATION PRESCRIBED UNDER EU ELV DIRECTIVE & RoHS REGULATION.

NO	PART NAME	PART NO	MATERIAL	MG646151-5		MG645998		△MG645998-Z		MG646044-4		MG646086-2	
				FINISH	Q'TY	FINISH	Q'TY	FINISH	Q'TY	FINISH	Q'TY	FINISH	Q'TY
1	020 12M SMD HOUSING A CODE	MG677044-5	SEE TABLE	BLACK	1	-	-	-	-	-	-	-	-
	020 12M SMD HOUSING B CODE	MG677157	SEE TABLE	-	-	NATURAL	1	NATURAL	1	-	-	-	-
	020 12M SMD HOUSING C CODE	MG677505-4	SEE TABLE	-	-	-	-	-	-	GRAY	1	-	-
	020 12M SMD HOUSING D CODE	MG677506-2	SEE TABLE	-	-	-	-	-	-	-	-	BLUE	1
2	020 SMD MALE TERMINAL(L)	ST792584-2	BRASS	Sn 후도금-무광 (Reflow)	6	Sn 후도금-무광 (Reflow)	6	-	-	Sn 후도금-무광 (Reflow)	6	Sn 후도금-무광 (Reflow)	6
3	020 SMD MALE TERMINAL(S)	ST792585-2	BRASS	Sn 후도금-무광 (Reflow)	6	Sn 후도금-무광 (Reflow)	6	Sn 후도금-무광 (Reflow)	6	Sn 후도금-무광 (Reflow)	6	Sn 후도금-무광 (Reflow)	6
4	025 SIDE BRACKET	ST793450-2	BRASS	Sn 후도금-무광	2	Sn 후도금-무광	2	Sn 후도금-무광	2	Sn 후도금-무광	2	Sn 후도금-무광	2

ECO-1905-135	공기	적용	ASH	YSW	SSH	19,09,19	MATERIAL	SEE TABLE	KOREA ELECTRIC TERMINAL CO., LTD.
ECO-1904-103	공기	적용	ASH	YSW	SSH	19,09,03	FINISH	SEE TABLE	
ECO-1904-103	공기	적용	ASH	YSW	SSH	19,04,05	WIRE RANGE	CLASS	020
ECO-1711-118	공기	적용	SSH	YSW	SSH	17,11,09	INSULATION	TYPE	SMD
LTR	REVISION RECORD	DR.	CHK.	APP.	DATE		SCALE	PART NO.	SEE TABLE
DR.	SSH 2017,10,26	CHK.					SCALE	2/1	
CHK.	YSW 2017,10,26	APP.	SSH	2017,10,26			PART-NAME	020 12M SMD ASSY(HZT)	