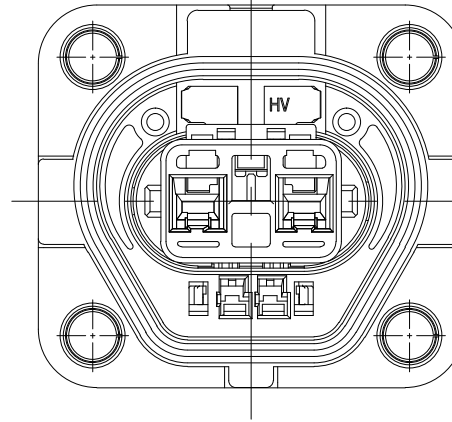
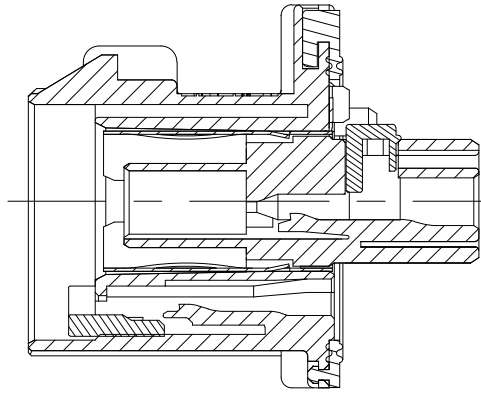
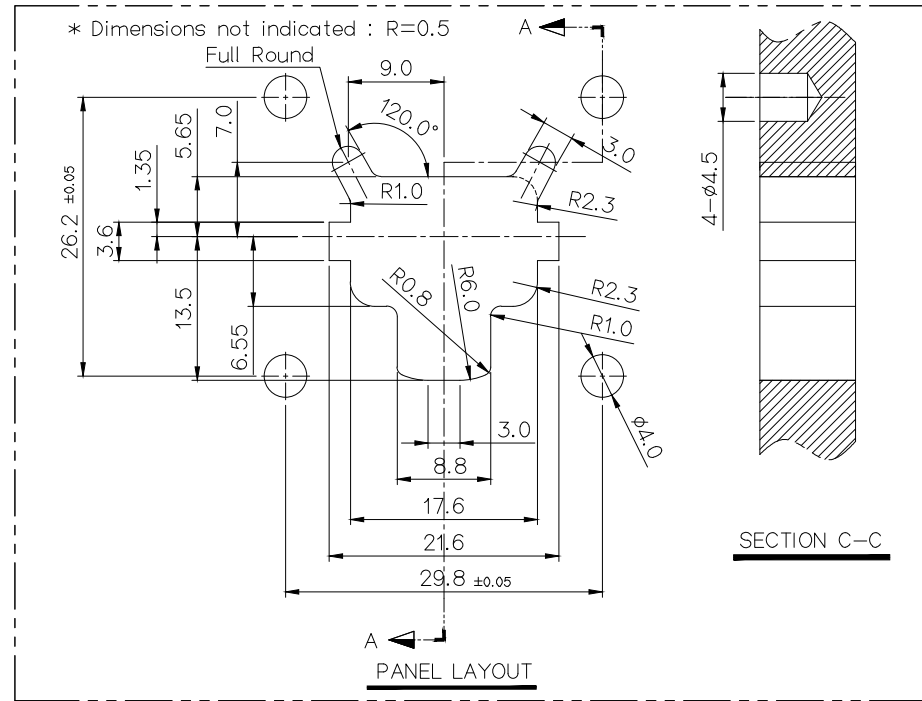
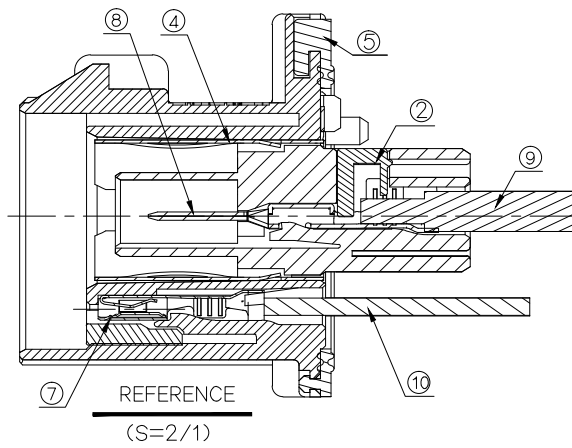
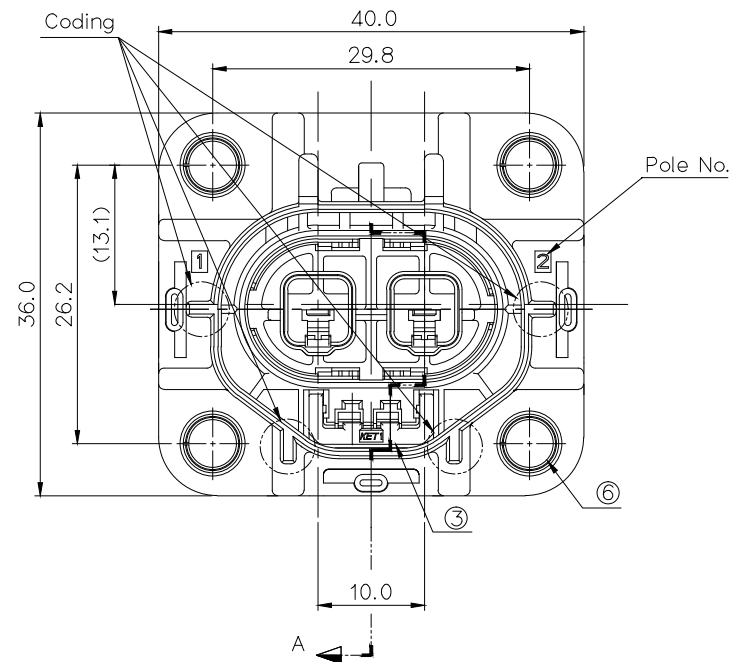
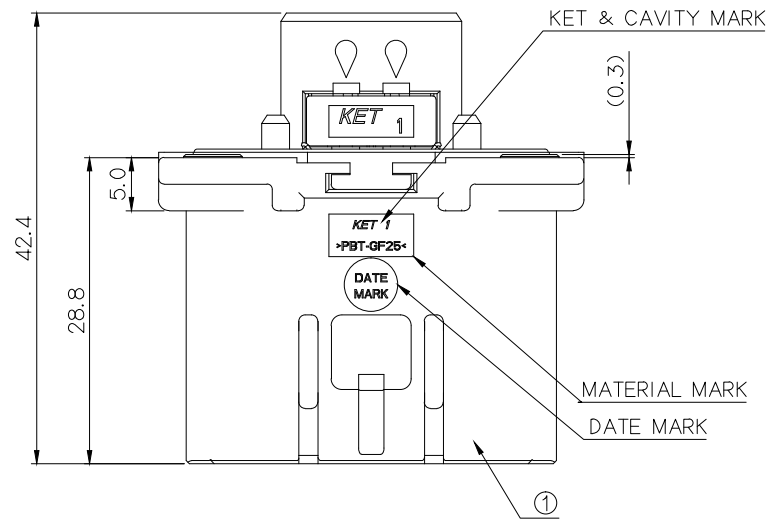
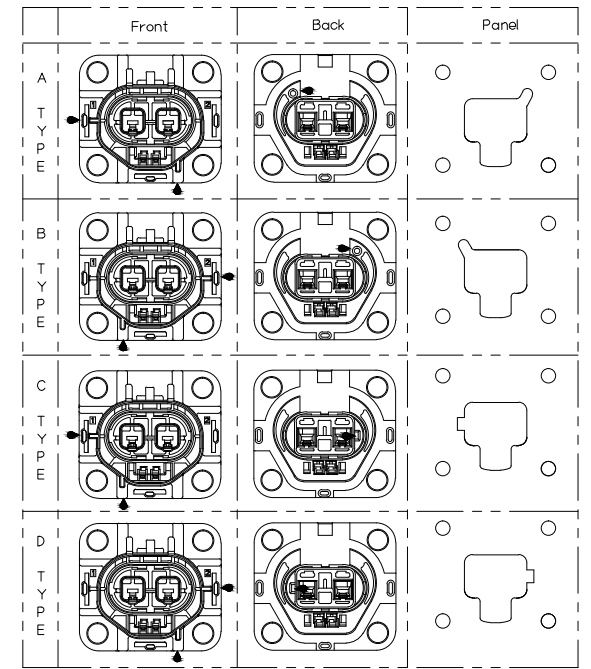
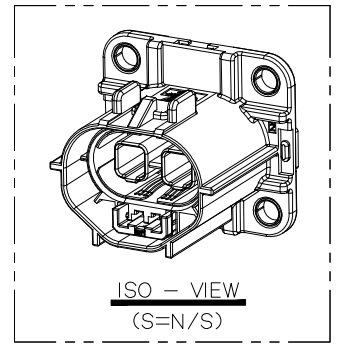


PART NO. SEE TABLE

CUSTOMER DRAWING



GENERAL TOLERANCE							USED ON
10MAX	50MAX	100MAX	250MAX	250VR	ANGLE	ECCENT	
±0.2	±0.3	±0.55	±0.95	±1.4	±30'	0.1	



ASSEMBLY SUB PART

NO.	ISO - VIEW	PART NAME	MATERIAL	FINISH	U/S
①		HVSC 110(280) 2M V0 FS Device Housing A TYPE HVSC 110(280) 2M V0 FS Device Housing B TYPE HVSC 110(280) 2M V0 FS Device Housing C TYPE HVSC 110(280) 2M V0 FS Device Housing D TYPE	E.P	ORANGE	1EA
②		HVSC 20A 2M Device 280 TPA Housing	E.P	BLACK	1EA
③		HVSC 20A 3M DEVICE 040WP TPA Housing	E.P	YELLOW	1EA
④		HVSC 110(280) 2M Device Shield Shell	COOPER ALLOY	Pre-Tin	1EA
⑤		HVSC 110(280) 2M Device Seal	SILICONE	RED	1EA
⑥		HVSC 20A 2M Device Bush	SUS	-	4EA

APPLICABLE SUB PART

NO.	ISO - VIEW	PART NAME	PART NO.	MATERIAL	FINISH	U/S
⑦		040WP Female TML	ST730924-3	COOPER ALLOY	Pre-Tin	2EA
⑧		280 male TML	ST741287-3	COOPER ALLOY	Pre-Tin	2EA
⑨	-	280 Wire (2.5/3SQ NON-Shield)	-	-	-	-
⑩	-	040 Wire (0.5SQ NON-Shield)	-	-	-	-

주 기

1. 지시하지 않은 반경 R은 0.5으로 한다
2. 기능상 유해한 FLASH 또는 변형이 없을 것.
3. 제품내 함유된 10대 유해물질 (Pb,Hg,Cd,Cr+6,PBBs, PBDEs,DEHP,DBP,BBP,DIBP)은 EU ELV 지침 및 RoHS 법규에서 지정한 최대 허용 농도를 초과해서는 안된다.

NOTE

1. UNLESS OTHERWISE SPECIFIED ALL RADIUS TO BE 0.5 RADIUS.
2. MUST BE FREE OF FLASH AND IMPERFECTION THAT AFFECT FUNCTION.
3. 10 HAZARDOUS SUBSTANCES IN PARTS (Pb,Hg Cr+6,PBBs,PBDEs,DEHP,DBP,BBP,DIBP) SHALL NOT EXCEED THE MAXIMUM PERMISSIBLE CONCENTRATION PRESCRIBED UNDER EU ELV DIRECTIVE & RoHS REGULATION.

Application Type	Connector P/N	Coding Type	Color	Matching P/N
HVSC 110(280) 2M V0 FS Connector A Type	MG646152-11	A	Orange	MG656972-11
HVSC 110(280) 2M V0 FS Connector B Type	MG646153-11	B	Orange	MG656973-11
HVSC 110(280) 2M V0 FS Connector C Type	MG646154-11	C	Orange	MG656974-11
HVSC 110(280) 2M V0 FS Connector D Type	MG646155-11	D	Orange	MG656975-11

MATERIAL		SEE TABLE
FINISH		SEE TABLE
WIRE RANGE		CLASS HVSC 110(280) 2P
INSULATION		TYPE
SCALE		2/1
PART NAME		HVSC 110(280) 2M V0 FS Connector A-D Type



APPROVED
2019-11-06

DIMENSIONS IN MM