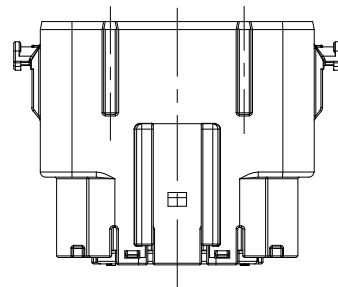
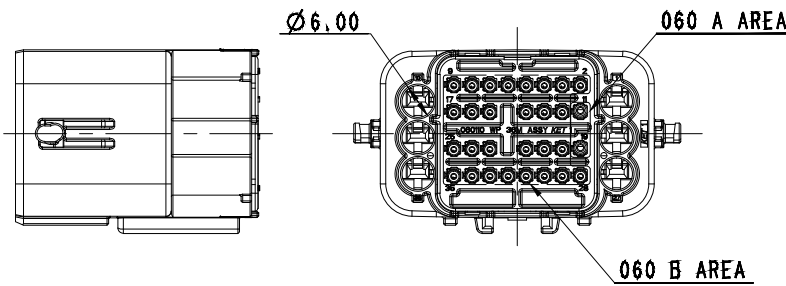
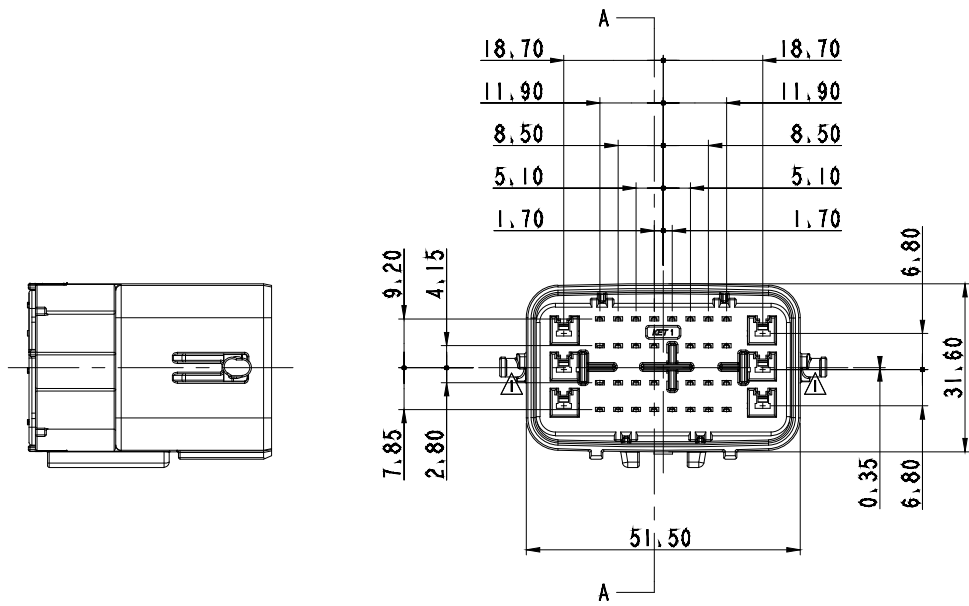
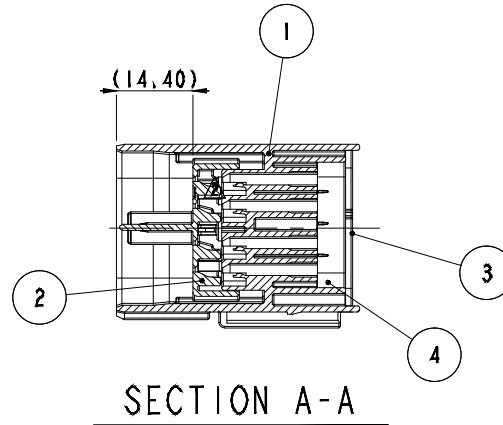
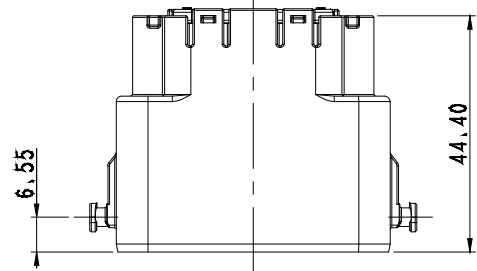


ISO VIEW



| GENERAL TOLERANCE (HOUSING) | | | | | | | | | | USED ON |
|-----------------------------|--------|--------|--------|---------|---------|---------|--------|-------|--------|---------|
| 10 MAX | 30 MAX | 50 MAX | 70 MAX | 100 MAX | 120 MAX | 250 MAX | 250 VR | ANGLE | ECCENT | |
| ±0.15 | ±0.2 | ±0.3 | ±0.4 | ±0.5 | ±0.75 | ±0.9 | ±1.4 | ±30' | 0.1 | |

- 주기
1, 기능상 유해한 BURR 및 WELDLINE 등이 없을 것,
2, 적용 TERMINAL ;

| 순번 | 구분 | AREA | 품번 (SIZE) | 비고 |
|----|----------|------|-----------------|--|
| 1 | CB060 | A | ST741413-3 (L) | CAVITY PLUG ; MG635914-4 (060 A, B AREA 공용) |
| | | B | ST741414-3 (M) | |
| 2 | 110(280) | | ST741288-3 (S) | DUMMY SEAL ; MG680905 |
| | | | ST741289-3 (M) | |
| | | | ST741290-3 (L) | |
| | | | ST741420-3 (XL) | |

- 3, 적용 FEMALE HOUSING ASSY ; MG657000
4, 저함니 함유된 6대 유해물질 (납, 수은, 카드뮴, 6가크롬, PBBs, PBDEs)은 EU ELV 지침 및 RoHS 법규에서 지정한 최대 허용 농도를 초과해서는 안된다.

- NOTE
1, MUST BE FREE OF BURR, WELDLINE AND IMPERFECTION THAT AFFECT FUNCTION,
2, APPLICABLE TERMINAL ;

| NO | TYPE | AREA | PART NUMBER (SIZE) | 비고 |
|----|----------|------|--------------------|---|
| 1 | CB060 | A | ST741413-3 (L) | CAVITY PLUG ; MG635914-4 (BOTH 060 A AND 060 B AREA) |
| | | B | ST741414-3 (M) | |
| 2 | 110(280) | | ST741288-3 (S) | DUMMY SEAL ; MG680905 |
| | | | ST741289-3 (M) | |
| | | | ST741290-3 (L) | |
| | | | ST741420-3 (XL) | |

- 3, APPLICABLE FEMALE HOUSING ASSY ; MG657000
4, 6 HAZARDOUS SUBSTANCES IN PARTS (LEAD, MERCURY, CADMIUM, HEXAVALENT CHROMIUM, PBBs, PBDEs) SHALL NOT EXCEED THE MAXIMUM PERMISSIBLE CONCENTRATION PRESCRIBED UNDER EU ELV DIRECTIVE & RoHS REGULATION.

PART LIST

| NO. | PART NAME | PART NO. | MATERIAL | COLOR | QTY. |
|-----|-----------------------------------|------------|-----------|-----------|------|
| 1 | 060110 WP 36M HOUSING | MG677115 | SEE TABLE | SEE TABLE | 1 |
| 2 | 060110 WP 36M FRONT HOLDER | MG677116 | PA66+GF30 | NATURAL | 1 |
| 3 | 060110 WP 36M BLOCK SEAL RETAINER | MG677117-5 | PA66+GF30 | BLACK | 1 |
| 4 | 060110 WP 36M BLOCK SEAL | R603625 | SILICON | NATURAL | 1 |

| NO. | MATERIAL | COLOR |
|-----|-------------|------------|
| 0 | PA66+GF30 | NATURAL |
| 1 | | RED |
| 2 | | BLUE |
| 20 | | JADE |
| 3 | | YELLOW |
| 4 | | GRAY |
| 40 | | DARK GRAY |
| 41 | | LIGHT GRAY |
| * 5 | | BLACK |
| 6 | | DARK GREEN |
| 7 | | BROWN |
| 8 | LIGHT GREEN | |
| 9 | MAGENTA | |
| 11 | ORANGE | |

APPROVED

2019-11-06

KOREA ELECTRIC
TERMINAL CO., LTD.
Korea Electric Terminal Co., LTD.

ISSUE MARK

| | | | | | | | | |
|-----------------------|-----------------|----------|------------|------------|------------|-----------|--------------------|--------------------------------------|
| ECO-1910-329 근거 도면 변경 | SKH | CSH | CJH | 2019.10.29 | MATERIAL | SEE TABLE | KIEP ENGINEERED | KOREA ELECTRIC TERMINAL CO., LTD. |
| ECO-1902-319 근거 도면 변경 | JY,K | WDH | CMS | 2019.02.25 | FINISH | SEE TABLE | | |
| ECO-1811-370 근거 도면 변경 | JY,K | WDH | CMS | 2018.12.19 | WIRE RANGE | CLASS | 060/110 | |
| ECO-1810-181 근거 도면 변경 | JY,K | WDH | CMS | 2018.10.08 | INSULATION | TYPE | WP | |
| LTR | REVISION RECORD | DR. | CHK. | APP. | DATE | SCALE | PART NO. | MG646178 |
| DR. JY,K | 2018.03.27 | CHK. WDH | 2018.03.27 | | SEE TABLE | 1/1 | | |
| CHK. | | APP. CMS | 2018.03.27 | | PART-NAME | | 060110 WP 36M ASSY | |