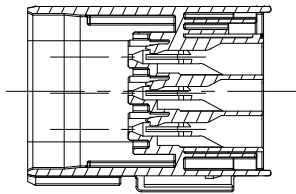
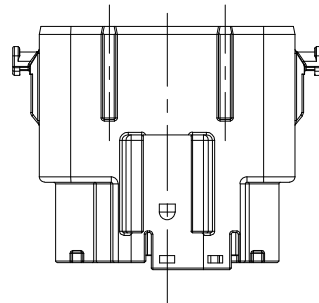
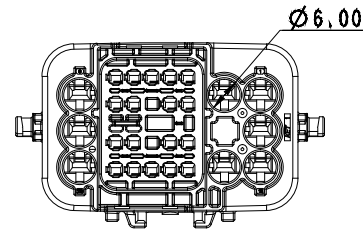
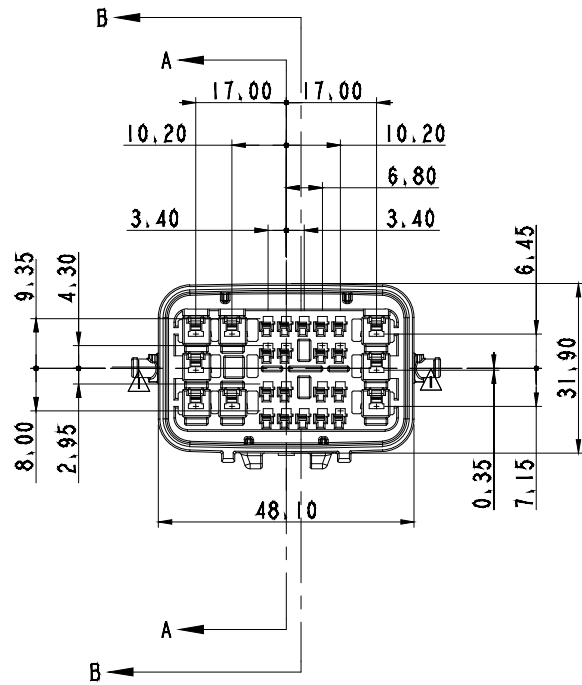


SECTION A-A



SECTION B-B



NO.	MATERIAL	COLOR
0	PA66+GF30	NATURAL
1		RED
2		BLUE
20		JADE
3		YELLOW
4		GRAY
40		DARK GRAY
41		LIGHT GRAY
5		BLACK
6		DARK GREEN
7		BROWN
8	LIGHT GREEN	
9	MAGENTA	
11	ORANGE	

NO.	PART NAME	PART NO.	MATERIAL	COLOR	QTY.
1	060110 WP 26 HOUSING	MG677149	SEE TABLE	SEE TABLE	1
2	060110 WP 26M FRONT HOLDER	MG677150	PA66+GF30	NATURAL	1
3	060110 WP 26M BLOCK SEAL RETAINER	MG677151-5	PA66+GF30	BLACK	1
4	060110 WP 26M BLOCK SEAL	R603634	SILICON	NATURAL	1

GENERAL TOLERANCE (HOUSING)										USED ON
10 MAX	30 MAX	50 MAX	70 MAX	100 MAX	120 MAX	250 MAX	250 VR	ANGLE	ECCENT	
±0.15	±0.2	±0.3	±0.4	±0.5	±0.75	±0.9	±1.4	±30'	0.1	

- 주
1. 기능상 유해한 BURR 및 WELDLINE 등이 없을 것,
2. 적용 TERMINAL ;

순번	구분	품번 (SIZE)	비고
1	CB060	ST741413-3 (L)	CAVITY PLUG ; △MG635914-4
		ST741414-3 (M)	
2	110(280)	ST741288-3 (S)	DUMMY SEAL ; MG680905
		ST741289-3 (M)	
		ST741290-3 (L)	
		ST741420-3 (XL)	

3. 적용 FEMALE HOUSING ASSY ; MG657011
4. 제품내 함유된 6대 유해물질 (납,수은,카드뮴,6가크롬, PBBs, PBDEs)은 EU ELV 지침 및 RoHS 법규에서 지정한 최대 허용 농도를 초과해서는 안된다.

- NOTE
1. MUST BE FREE OF BURR, WELDLINE AND IMPERFECTION THAT AFFECT FUNCTION.
2. APPLICABLE TERMINAL ;

NO	TYPE	PART NUMBER (SIZE)	NOTE
1	CB060	ST741413-3 (L)	CAVITY PLUG ; △MG635914-4
		ST741414-3 (M)	
2	110(280)	ST741288-3 (S)	DUMMY SEAL ; MG680905
		ST741289-3 (M)	
		ST741290-3 (L)	
		ST741420-3 (XL)	

3. APPLICABLE FEMALE HOUSING ASSY ; MG657011
4. 6 HAZARDOUS SUBSTANCES IN PARTS (LEAD, MERCURY, CADMIUM, HEXAVALENT CHROMIUM, PBBs, PBDEs) SHALL NOT EXCEED THE MAXIMUM PERMISSIBLE CONCENTRATION PRESCRIBED UNDER EU ELV DIRECTIVE & RoHS REGULATION.

APPROVED

2019-11-06

KOREA ELECTRIC
TERMINAL CO., LTD.
Korea Electric Te
rminial Co., LTD.

ISSUE MARK

ECO-1910-329 근거 도면 변경	SKW	CSH	CJH	19.10.26	MATERIAL	SEE TABLE	KJET KOREA ELECTRIC TERMINAL CO., LTD.	
ECO-1902-319 근거 도면 변경	YCH	WDH	CMS	19.02.26	FINISH	SEE TABLE		
ECO-1811-380 근거 도면 변경	YCH	WDH	CMS	18.12.19	WIRE RANGE	-	CLASS	060/110
ECO-1810-128 근거 도면 변경	YCH	WDH	CMS	18.10.08	INSULATION	-	TYPE	WP
LTR	REVISION RECORD			DR, CHK, APP, DATE	SCALE	SEE TABLE	PART NO.	MG646193
DR, YCH	2018.04.19			CHK, WDH	2018.04.19		PART-NAME	060110 WP 26M ASSY
CHK,				APP, CMS	2018.04.19			