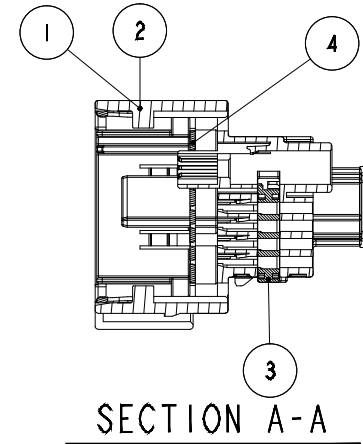
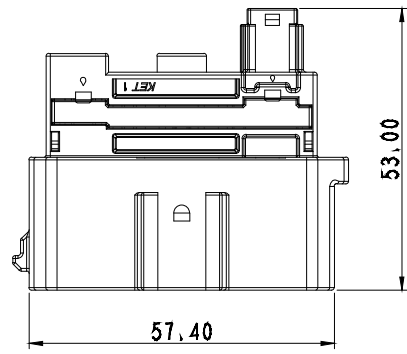
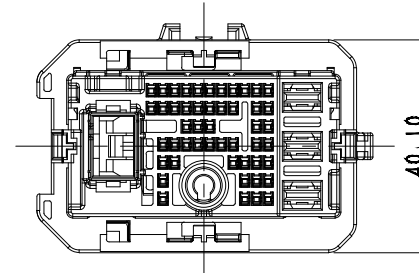
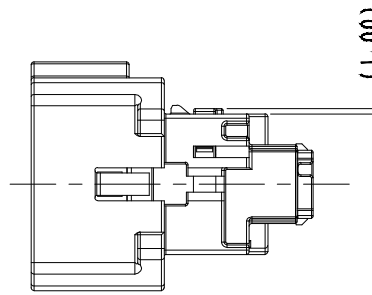
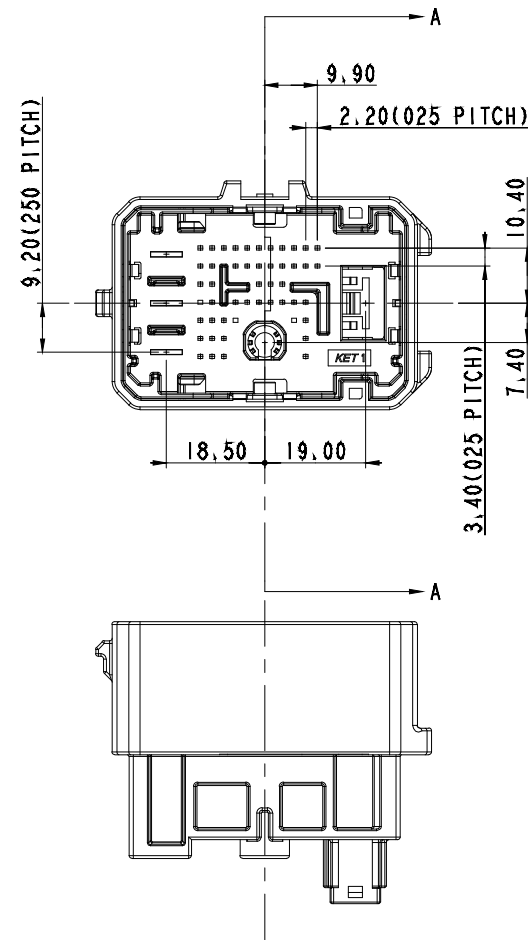
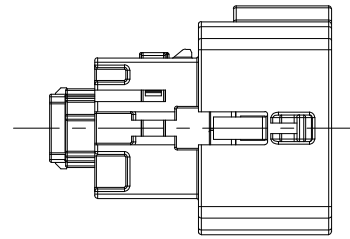


ISO VIEW



SECTION A-A



| GENERAL TOLERANCE (HOUSING) | | | | | | | | | | USED ON |
|-----------------------------|--------|--------|--------|---------|---------|---------|--------|-------|--------|---------|
| 10 MAX | 30 MAX | 50 MAX | 70 MAX | 100 MAX | 120 MAX | 250 MAX | 250 VR | ANGLE | ECCENT | |
| ±0.15 | ±0.2 | ±0.3 | ±0.4 | ±0.5 | ±0.75 | ±0.9 | ±1.4 | ±30' | 0.1 | |

| NO. | MATERIAL | COLOR |
|------|-------------|------------|
| 0 | PBT | NATURAL |
| 1 | | RED |
| * 2 | | BLUE |
| 20 | | JADE |
| 3 | | YELLOW |
| 4 | | GRAY |
| 40 | | DARK GRAY |
| * 41 | | LIGHT GRAY |
| 5 | | BLACK |
| 6 | | DARK GREEN |
| 7 | | BROWN |
| 8 | LIGHT GREEN | |
| 9 | MAGENTA | |
| 11 | ORANGE | |

- 주 기
- 가능상 유해한 BURR 및 WELDLINE 등이 없을 것.
 - 적용 TERMINAL(C025) : ST741360-3, ST741361-3, ST741360-G, ST741361-G
적용 TERMINAL(N250) : ST741370-3, ST741371-3, ST741372-3
적용 TERMINAL(375) : ST740538-3, ST740539-3
적용 TERMINAL(FAKRA) : KR30202-20, KR30301-20, KR00406-20
적용 CONNECTOR : MG657067
적용 375 REAR HOLDER : MG630661
 - 제품내 함유된 6대 유해물질 (납, 수은, 카드뮴, 6가크롬, PBBs, PBDEs)은 EU ELV 지침 및 RoHS 법규에서 지정한 최대 허용 농도를 초과해서는 안된다.

- NOTE
- MUST BE FREE OF BURR, WELDLINE AND IMPERFECTION THAT AFFECT FUNCTION.
 - APPLICABLE TERMINAL(C025) : ST741360-3, 1361-3, 1360-G, 1361-G
APPLICABLE TERMINAL(N250) : ST741370-3, ST741371-3, ST741372-3
APPLICABLE TERMINAL(375) : ST740538-3, ST740539-3
APPLICABLE TERMINAL(FAKRA) : KR30202-20, KR30301-20, KR00406-20
APPLICABLE CONNECTOR : MG657067
APPLICABLE 375 REAR HOLDER : MG630661
 - 6 HAZARDOUS SUBSTANCES IN PARTS (LEAD, MERCURY, CADMIUM, HEXAVALENT CHROMIUM, PBBs, PBDEs) SHALL NOT EXCEED THE MAXIMUM PERMISSIBLE CONCENTRATION PRESCRIBED UNDER EU ELV DIRECTIVE & RoHS REGULATION.

PART LIST

| NO. | PART NAME | PART NO. | MATERIAL | COLOR | QTY. | QTY. |
|-----|------------------------------|------------|-----------|------------|------|------|
| 1 | 025250375 FAKRA 54M HSG (LH) | MG677410 | SEE TABLE | LIGHT GRAY | 1 | - |
| 2 | 025250375 FAKRA 54M HSG (RH) | MG677411 | | BLUE | - | 1 |
| 3 | 025250375 FAKRA 54M SPACER | MG677412-3 | PBT | YELLOW | 1 | 1 |
| 4 | 025250375 FAKRA 54M PLATE | MG677413-5 | POM | BLACK | 1 | 1 |

| 구분 | MG646294 | MG646295 |
|-----------|-------------------------------|-------------------------------|
| PART NO. | MG646294 | MG646295 |
| PART NAME | 025250375 FAKRA 54M ASSY (LH) | 025250375 FAKRA 54M ASSY (RH) |
| COLOR | LIGHT GRAY | BLUE |



ISSUE MARK

| | | |
|-----------------|--------------------------|--|
| MATERIAL | SEE TABLE | KOREA ELECTRIC TERMINAL CO., LTD. KOREA ELECTRIC Terminal Co., LTD. |
| FINISH | SEE TABLE | |
| WIRE RANGE | - | |
| INSULATION | - | CLASS 025/250/375/FAKRA |
| REVISION RECORD | DR, LCK 2019.01.17 | TYPE 비방송 |
| SCALE | 1/1 | PART NO. SEE TABLE |
| PART-NAME | 025250375 FAKRA 54M ASSY | |