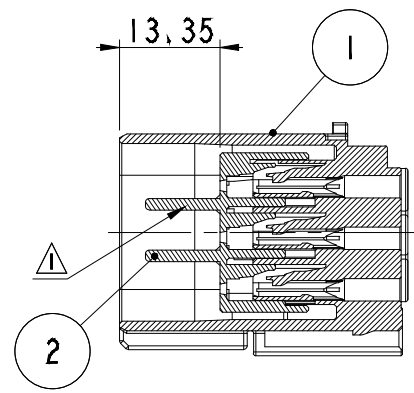
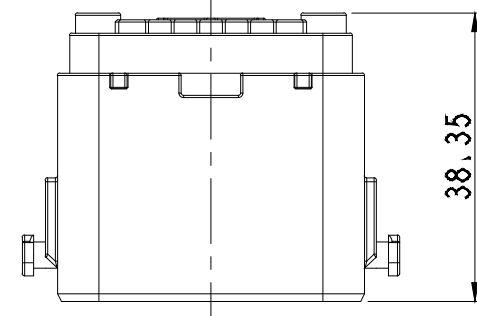


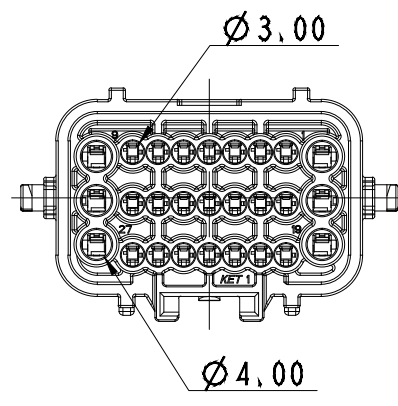
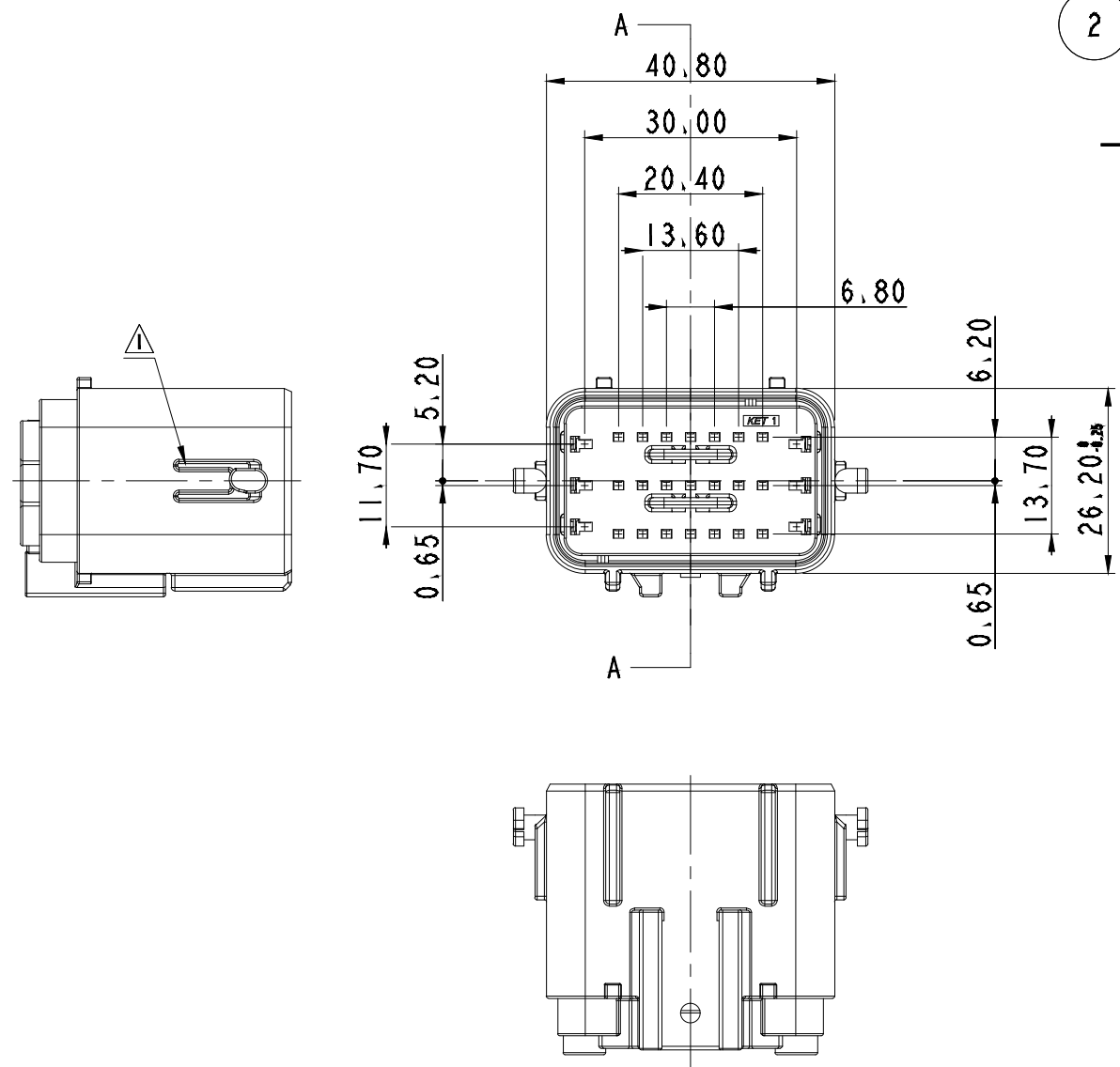
GENERAL TOLERANCE (HOUSING)										USED ON
10 MAX	30 MAX	50 MAX	70 MAX	100 MAX	120 MAX	250 MAX	250 VR	ANGLE	ECCENT	
±0.15	±0.2	±0.3	±0.4	±0.5	±0.75	±0.9	±1.4	±30'	0.1	



SECTION A-A

- 주 기
- 기능상 유해한 BURR 및 WELDLINE 등이 없을 것.
 - 적용 TERMINAL : (C025)ST741378-3 / (C060)ST741375-3, ST741376-3
 △ 적용 DUMMY SEAL : (C025)MG685518 / (C060)MG685519
 적용 CONNECTOR : MG657072
 - 제품내 함유된 6대 유해물질 (납, 수은, 카드뮴, 6가크롬, PBBs, PBDEs)은 EU ELV 지침 및 RoHS 법규에서 지정한 최대 허용 농도를 초과해서는 안된다.

- NOTE
- MUST BE FREE OF BURR, WELDLINE AND IMPERFECTION THAT AFFECT FUNCTION.
 - APPLICABLE TERMINAL : (C025)ST741378-3 / (C060)ST741375-3, ST741376-3
 △ APPLICABLE DUMMY SEAL : (C025)MG685518 / (C060)MG685519
 APPLICABLE CONNECTOR : MG657072
 - 6 HAZARDOUS SUBSTANCES IN PARTS (LEAD, MERCURY, CADMIUM, HEXAVALENT CHROMIUM, PBBs, PBDEs) SHALL NOT EXCEED THE MAXIMUM PERMISSIBLE CONCENTRATION PRESCRIBED UNDER EU ELV DIRECTIVE & RoHS REGULATION.



NO.	MATERIAL	COLOR
0	P B T	NATURAL
1		RED
2		BLUE
20		JADE
3		YELLOW
* 4		GRAY
40		DARK GRAY
41		LIGHT GRAY
5		BLACK
6		DARK GREEN
7		BROWN
8	LIGHT GREEN	
9	MAGENTA	
11	ORANGE	



ISSUE MARK

NO.	PART NAME	PART NO.	MATERIAL	COLOR	QTY.
1	025060 WP 27M HOUSING_B	MG677434	SEE TABLE	SEE TABLE	1
2	025060 WP 27M FRONT HOLDER_B	MG677437	PBT	BLACK	1

MATERIAL	SEE TABLE	KIET KOREA ELECTRIC TERMINAL CO., LTD.
FINISH	SEE TABLE	
WIRE RANGE		CLASS 025/060
INSULATION		TYPE WP
TOLERANCE EXCEPT AS NOTED	SEE TABLE	SCALE 1/1
REVISION RECORD	DR, CHK, APP, DATE	PART NO. MG646302
DR, JY, K 2019. 11. 05	CHK,	
CHK, WDH 2019. 11. 05	APP, CMS 2019. 11. 05	PART_NAME 025060 WP 27M ASSY_B