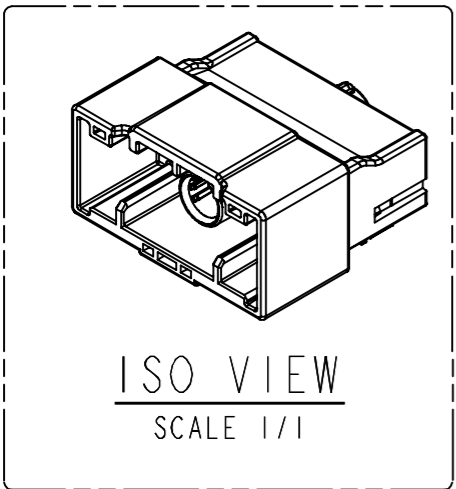
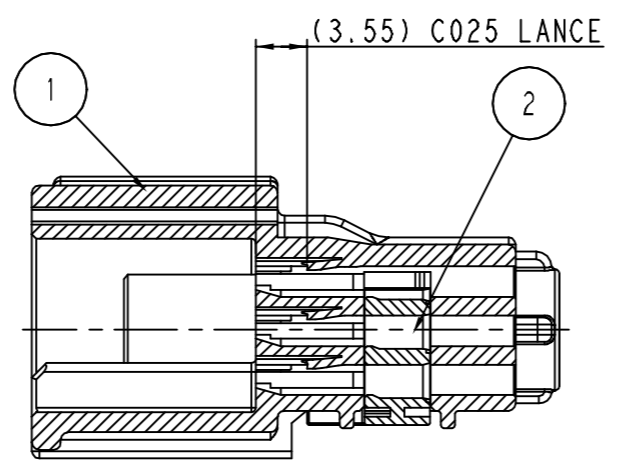


PART NO. MG646326
CUSTOMER DRAWING



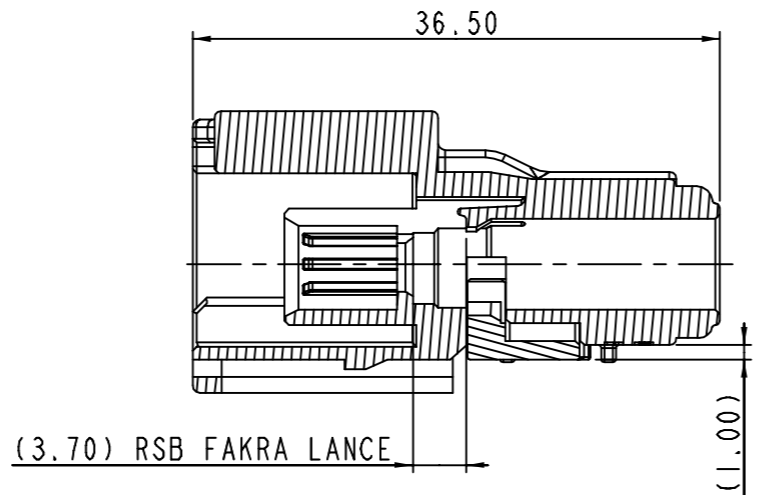
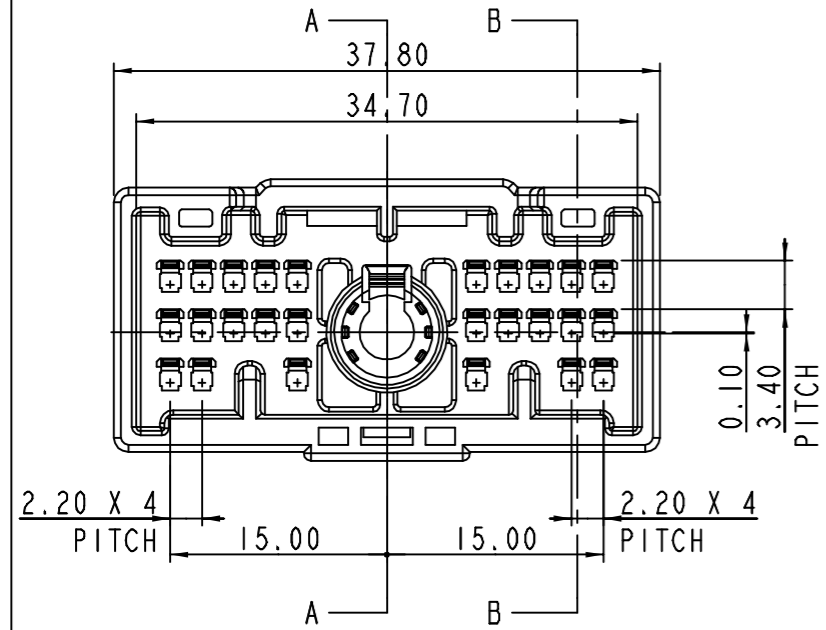
GENERAL TOLERANCE (HOUSING)										USED ON
10 MAX	30 MAX	50 MAX	70 MAX	100 MAX	120 MAX	250 MAX	250 VR	ANGLE	ECCENT	
±0.15	±0.2	±0.3	±0.4	±0.5	±0.75	±0.9	±1.4	±30'	0.1	



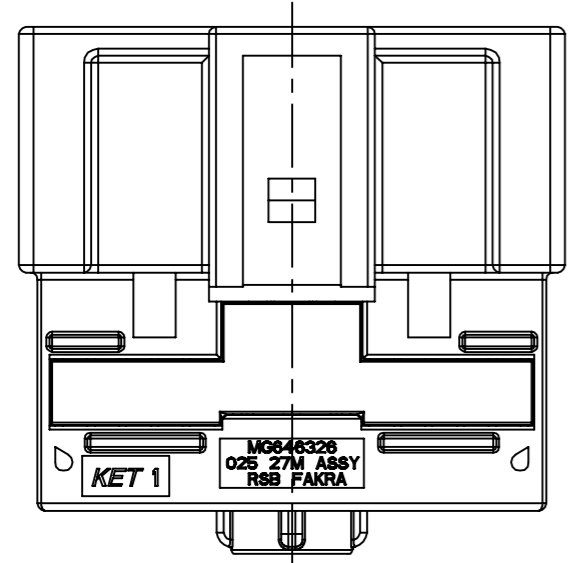
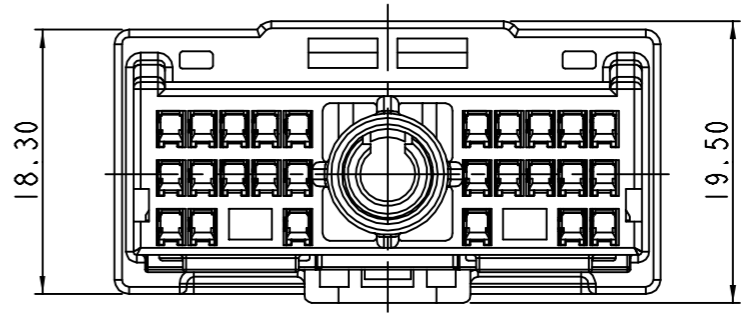
- NOTE
- MUST BE FREE OF FLASH, WELDLINE AND IMPERFECTION THAT AFFECT FUNCTION.
 - 6 HAZARDOUS SUBSTANCES IN PARTS (LEAD, MERCURY, CADMIUM, HEXAVALENT CHROMIUM, PBBs, PBDEs) SHALL NOT EXCEED THE MAXIMUM PERMISSIBLE CONCENTRATION PRESCRIBED UNDER EU ELV DIRECTIVE & RoHS REGULATION.
 - APPLICABLE CLIP : MG630418, MG630559, MG631467, MG630922, MG633061, MG633713, MG634647
 - APPLICABLE TERMINAL(C025): ST741360, ST741361
APPLICABLE TERMINAL(ROSENBERGER FAKRA):
59S100-1M4A4, 59S100-102A4 (2세대)
59S16A-1M4T4, 59S16A-102T4 (3세대)

NO.	MATERIAL	COLOR
0	P B T	NATURAL
1		RED
11		ORANGE
* 2		BLUE
22		JADE
3		YELLOW
4		GRAY
41		LIGHT GRAY
42		DARK GRAY
5		BLACK
61	LIGHT GREEN	
62	DARK GREEN	
7	BROWN	
9	MAGENTA	

SECTION B-B



SECTION A-A



NO	PART NO.	PART NAME	MATERIAL	FINISH	Q'TY
1	MG677492	025 27M HOUSING RSB(FAKRA)	PBT	BLUE	1
2	MG677493	025 27M SPACER RSB(FAKRA)	PBT	NATURAL	1

APPROVED
2021-11-01
KOREA ELECTRIC
TERMINAL CO., LTD.
Korea Electric Te
rminal Co., LTD.

ISSUE MARK

- 주 기
- 가능상 유해한 BURR 및 WELDLINE 등이 없을 것.
 - 제품내 함유된 6대 유해물질 (납, 수은, 카드뮴, 6가크롬, PBBs, PBDEs) 은 EU ELV 지침 및 RoHS 법규에서 지정한 최대 허용 농도를 초과해서 는 안된다.
 - 적용 CLIP: MG630418, MG630559, MG631467, MG630922, MG633061, MG633713, MG634647
 - 적용 TERMINAL(C025): ST741360, ST741361
적용 TERMINAL(ROSENBERGER FAKRA):
59S100-1M4A4, 59S100-102A4 (2th Generation)
59S16A-1M4T4, 59S16A-102T4 (3th Generation)

MATERIAL	SEE TABLE	KIET ENGINEERED	KOREA ELECTRIC TERMINAL CO., LTD.						
FINISH	SEE TABLE								
WIRE RANGE	-			CLASS	C025 / RSB FAKRA				
INSULATION	-			TYPE	NON WP				
LTR	REVISION RECORD	DR.	CHK.	APP.	DATE	TOLERANCE EXCEPT AS NOTED	SCALE 2/1	PART NO.	MG646326
DR.	KTK 19.05.23	CHK.	LJJ 19.05.23						
CHK.	AJH 19.05.23	APP.	CMS 19.05.23	PART_NAME 025 27M ASSY RSB(FAKRA)					

DIMENSIONS (IN MM)