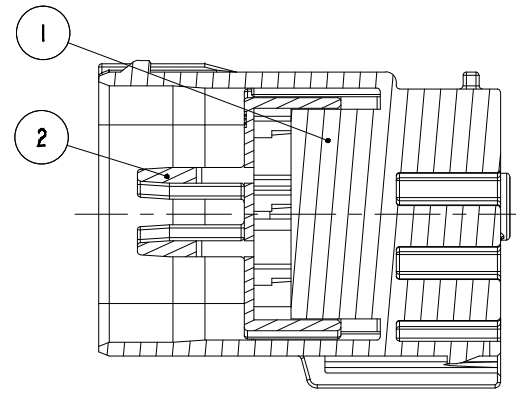
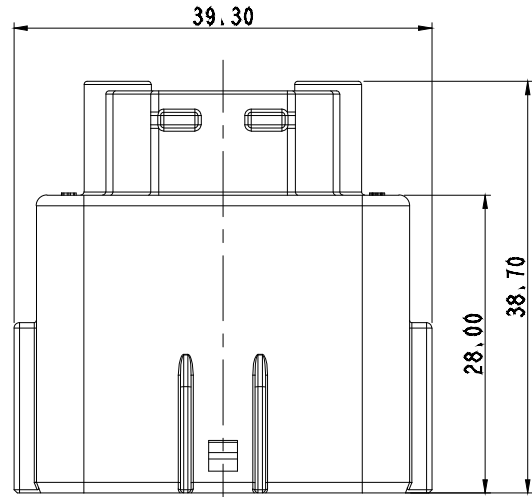
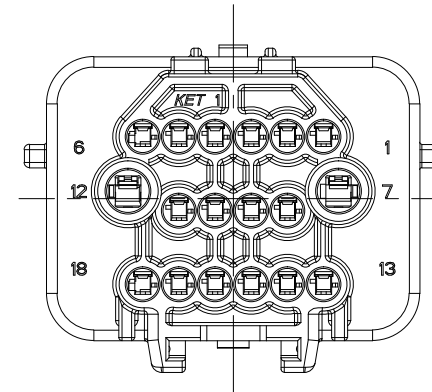
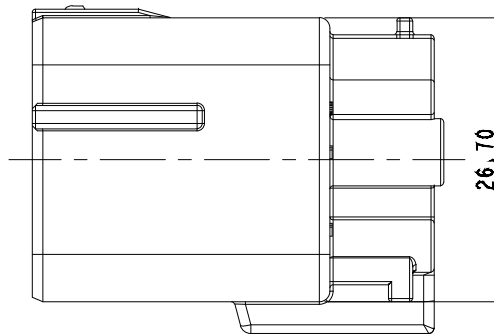
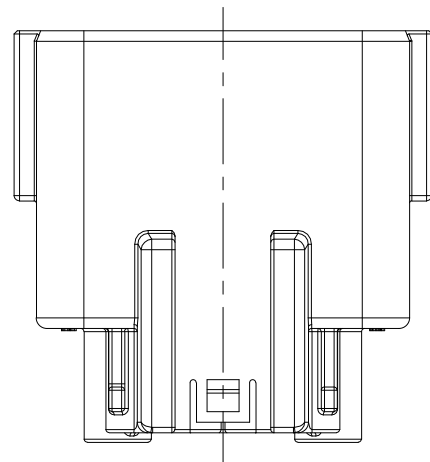
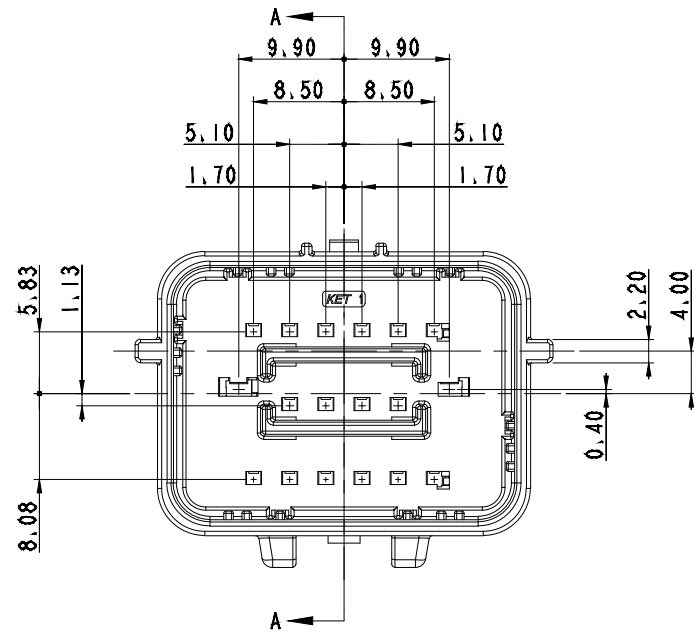


ISO VIEW



SECTION A-A



GENERAL TOLERANCE (HOUSING)										USED ON
10MAX	30MAX	50MAX	70MAX	100MAX	120MAX	250MAX	250VR	ANGLE	ECCENT	
±0.15	±0.2	±0.3	±0.4	±0.50	±0.75	±0.90	±1.4	±30'	0.1	

- 주요  
 1, 기능상 유해한 BURR 및 WELDLINE 등이 없을 것,  
 2, 적용 TERMINAL : (C025) ST741378-3, (C060) ST741375-3, ST741376-3  
 적용 CONNECTOR : MG657134  
 적용 DUMMY SEAL : (C025) MG685518 (C060) MG685519  
 적용 CLIP : 09011 CLIP(폭 12.0mm)  
 3, 저온내 함유된 6대 유해물질 (납,수은,카드뮴,6가크롬, PBBs, PBDEs)은 EU ELV 지침 및 RoHS 법규에서 지정한 최대 허용 농도를 초과해서는 안된다.

- NOTE  
 1, MUST BE FREE OF FLASH, WELDLINE AND IMPERFECTION THAT AFFECT FUNCTION.  
 2, APPLICABLE TERMINAL : (C025) ST741378-3, ST741379-3 (C060) ST741375-3, ST741376-3  
 APPLICABLE CONNECTOR: MG657134  
 APPLICABLE DUMMY SEAL : (C025) MG685518 (C060) MG685519  
 APPLICABLE CLIP : 09011 CLIP (WIDTH : 12.0mm)  
 6 HAZARDOUS SUBSTANCES IN PARTS (LEAD, MERCURY, CADMIUM, HEXAVALENT CHROMIUM, PBBs, PBDEs) SHALL NOT EXCEED THE MAXIMUM PERMISSIBLE CONCENTRATION PRESCRIBED UNDER EU ELV DIRECTIVE & RoHS REGULATION.

NO.	MATERIAL	COLOR
0	SEE TABLE	NATURAL
1		RED
11		ORANGE
2		BLUE
22		JADE
3		YELLOW
4		GRAY
41		LIGHT GRAY
42		DARK GRAY
* 5		BLACK
61		LIGHT GREEN
62		DARK GREEN
7		BROWN
9	MAGENTA	

**APPROVED**

**2021-04-02**

**KOREA ELECTRIC  
 TERMINAL CO., LTD.  
 Korea Electric Terminal Co., LTD.**

NO	PART NO.	PART NAME	MATERIAL	FINISH	Q'TY
1	MG677537-5	025060 WP 18M HOUSING	PBT	BLACK	1
2	MG677538	025060 WP 18M FRONT HOLDER	PBT-GF30	NATURAL	1

ISSUE MARK

MATERIAL	SEE TABLE	<b>KIET</b> ENGINEERED	KOREA ELECTRIC TERMINAL CO., LTD.				
FINISH	SEE TABLE						
WIRE RANGE	-	CLASS	025 / 060				
INSULATION	-	TYPE	WP				
LTR	REVISION RECORD	DR.	CHK.	APP.	DATE	SCALE	PART NO.
DR.	KCJ 2019.08.02	CHK.				2/1	MG646357
CHK.	AJH 2019.08.02	APP.	CMS 2019.08.02				025060 WP 18M ASSY