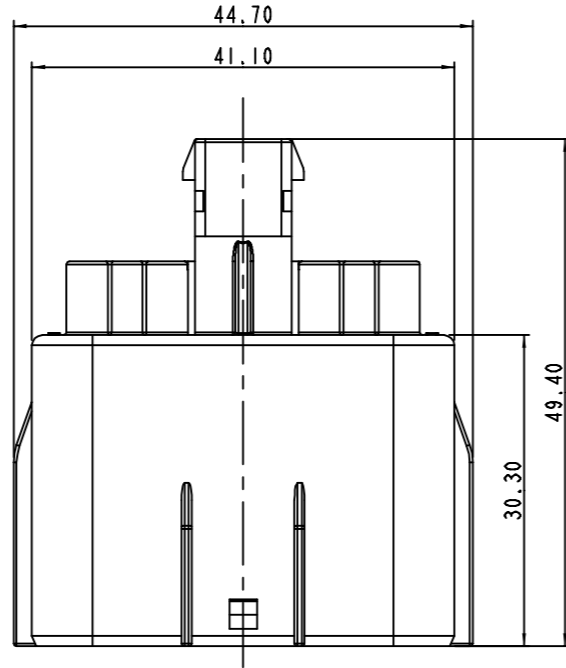


ISO VIEW



GENERAL TOLERANCE (HOUSING)										USED ON
10MAX	30MAX	50MAX	70MAX	100MAX	120MAX	250MAX	250VR	ANGLE	ECCENT	
±0.15	±0.2	±0.3	±0.4	±0.50	±0.75	±0.90	±1.4	±30'	0.1	

- 주요  
 1. 기능상 유해한 BURR 및 WELDLINE 등이 없을 것.  
 2. 적용 TERMINAL: ST741378-7  
 적용 FAKRA:

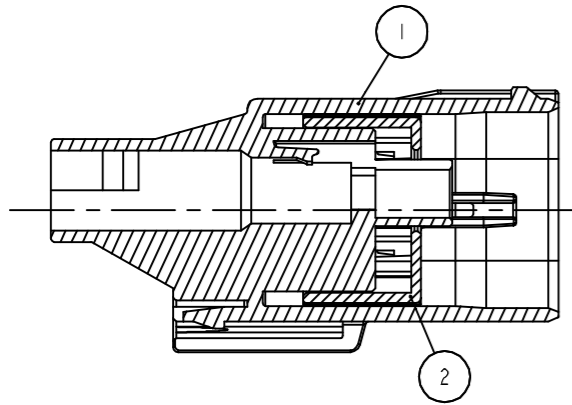
NAME	PRODUCT NO	NAME	PRODUCT NO
OUTER CONTACT	KR30202-20	WIRE	RG316 KR00802-00
TERMINAL	KR30301-20		1.5DS KR00801-20
SUB SLEEVE	KR00406-20	SPACER	KR01000-20
DUMMY SEAL	MG685476	REAR SPACER	KR01001-20

- 적용 CONNECTOR : MG657145  
 적용 DUMMY SEAL : (C025) MG685518 (FAKRA) MG685476  
 적용 REAR HOLDER : MG635740-40  
 적용 CLIP : 09011 CLIP(폭 : 12.0mm)  
 3. 제품내 함유된 6대 유해물질 (납, 수은, 카드뮴, 6가크롬, PBBs, PBDEs)은 EU ELV 지침 및 RoHS 법규에서 지정한 최대 허용 농도를 초과해서는 안된다.

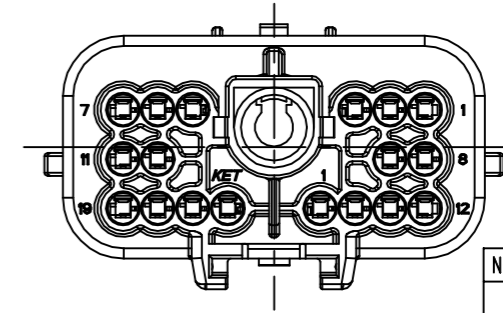
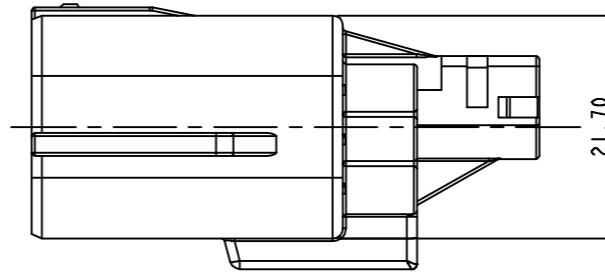
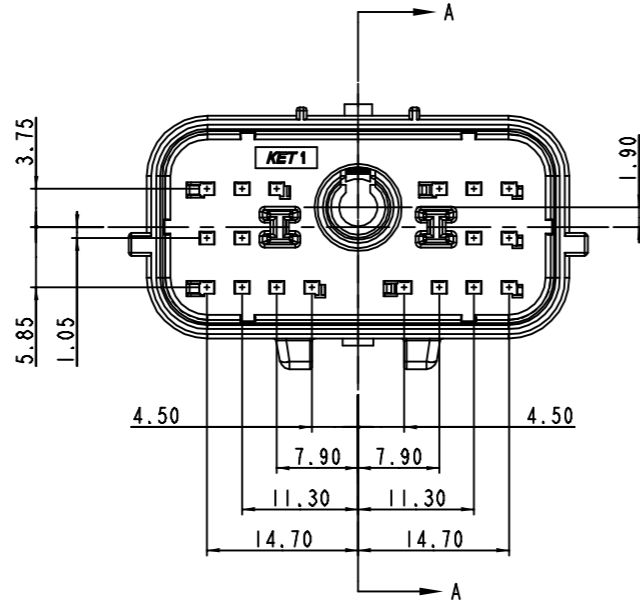
- NOTE  
 1. MUST BE FREE OF FLASH, WELDLINE AND IMPERFECTION THAT AFFECT FUNCTION.  
 2. APPLICABLE TERMINAL: ST741378-7  
 APPLICABLE FAKRA:

NAME	PRODUCT NO	NAME	PRODUCT NO
OUTER CONTACT	KR30202-20	WIRE	RG316 KR00802-00
TERMINAL	KR30301-20		1.5DS KR00801-20
SUB SLEEVE	KR00406-20	SPACER	KR01000-20
DUMMY SEAL	MG685476	REAR SPACER	KR01001-20

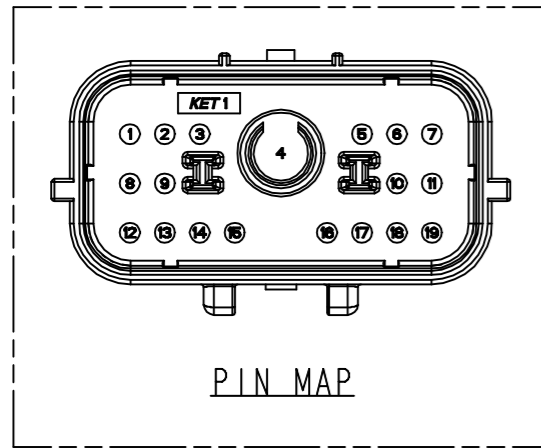
- APPLICABLE CONNECTOR: MG657145  
 APPLICABLE DUMMY SEAL : (C025) MG685518 (FAKRA) MG685476  
 APPLICABLE REAR HOLDER: MG635740-40  
 APPLICABLE CLIP : 09011 CLIP(WIDTH : 12.0mm)  
 3. 6 HAZARDOUS SUBSTANCES IN PARTS (LEAD, MERCURY, CADMIUM, HEXAVALENT CHROMIUM, PBBs, PBDEs) SHALL NOT EXCEED THE MAXIMUM PERMISSIBLE CONCENTRATION PRESCRIBED UNDER EU ELV DIRECTIVE & RoHS REGULATION.



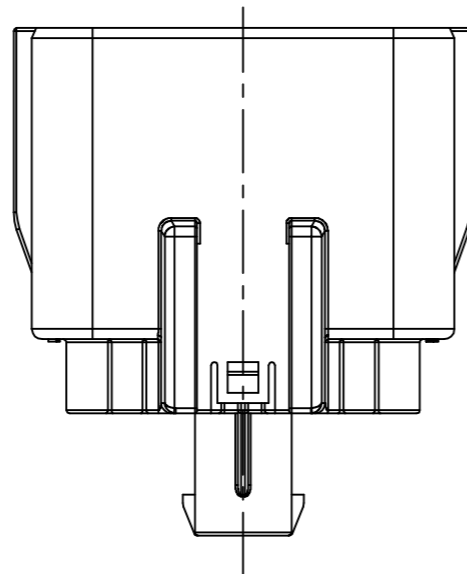
SECTION A-A



NO.	MATERIAL	COLOR
0	SEE TABLE	NATURAL
1		RED
2		BLUE
20		JADE
3		YELLOW
4		GRAY
40		DARK GRAY
41		LIGHT GRAY
* 5		BLACK
6		DARK GREEN
7		BROWN
8		LIGHT GREEN
9		MAGENTA
11		ORANGE



PIN MAP



NO	PART NO.	PART NAME	MATERIAL	FINISH	Q'TY
1	MG677626	C025 FAKRA WP 19M HOUSING	PBT	SEE TABLE	1
2	MG677627	C025 FAKRA WP 19M FRONT HOLDER	PBT-GF30	NATURAL	1

APPROVED

2021-11-01

KOREA ELECTRIC TERMINAL CO., LTD.  
 Korea Electric Terminal Co., LTD.

ISSUE MARK

MATERIAL	SEE TABLE	<b>KET</b> KOREA ELECTRIC TERMINAL CO., LTD.
FINISH	SEE TABLE	
WIRE RANGE	-	GLASS 025 / FAKRA
INSULATION	-	TYPE WP
LTR	REVISION RECORD	DR. CHK. APP. DATE
DR. PYJ 2019.10.23	CHK.	TOLERANCE PRESET AS SHOWN
CHK. AJH 2019.10.23	APP. CMS 2019.10.23	PART NO. MG646380
PART NAME		C025 FAKRA WP 19M ASSY