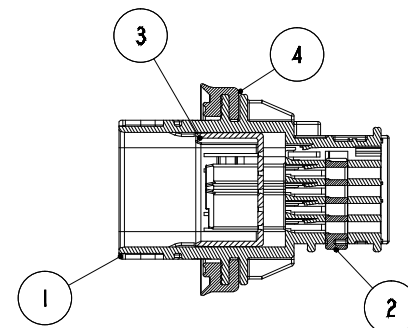
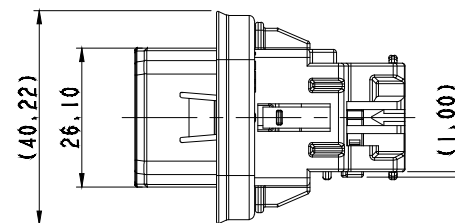
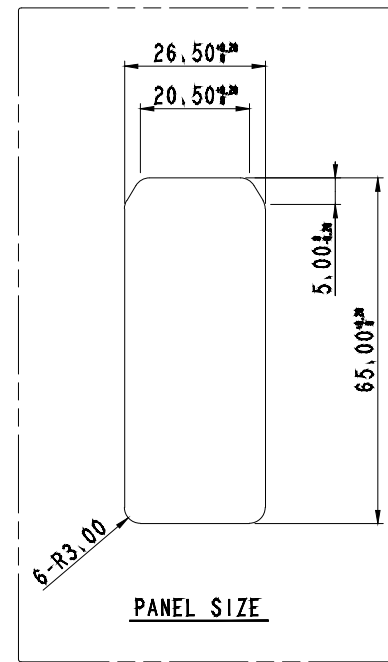
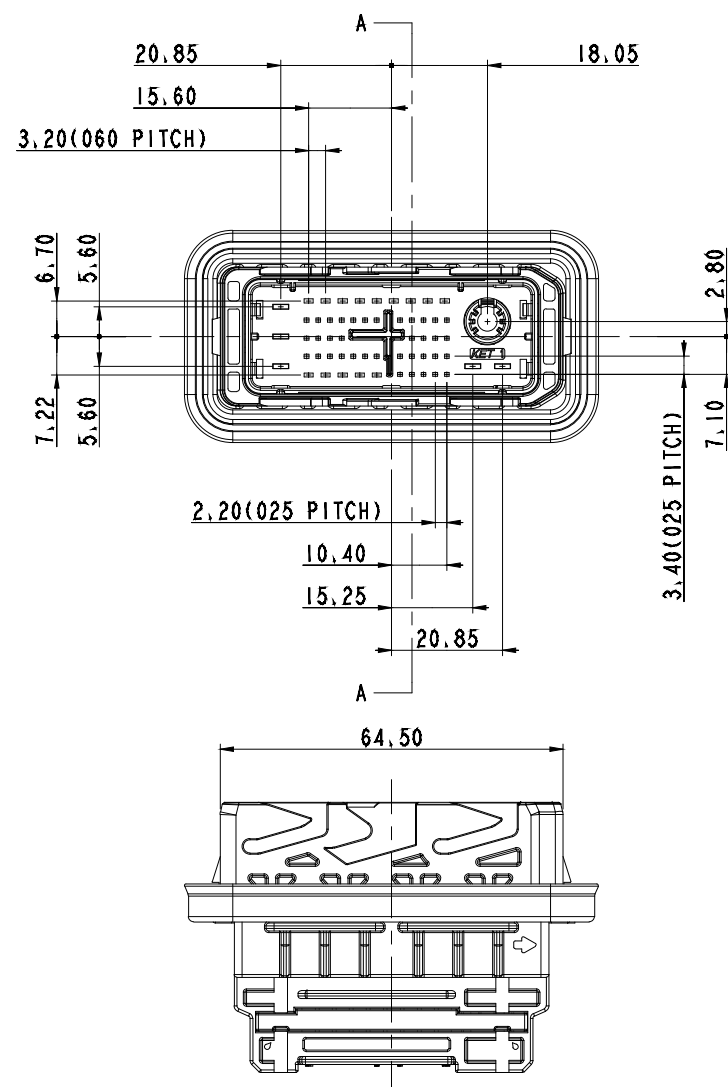
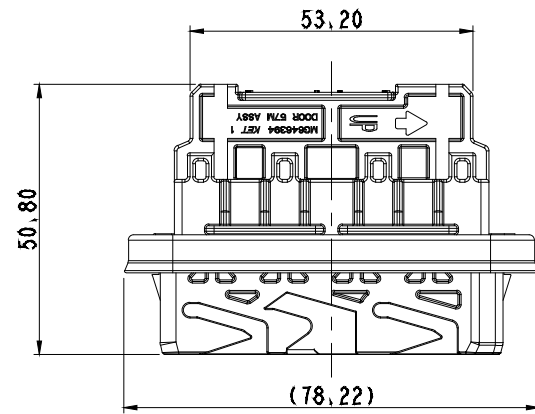


ISO VIEW

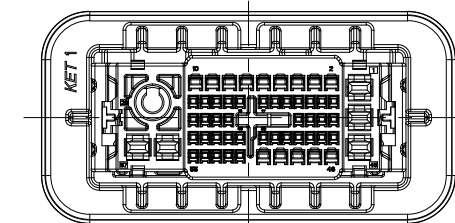


SECTION A-A

GENERAL TOLERANCE (HOUSING)										USED ON
10 MAX	30 MAX	50 MAX	70 MAX	100 MAX	120 MAX	250 MAX	250 VR	ANGLE	ECCENT	
±0.15	±0.2	±0.3	±0.4	±0.5	±0.75	±0.9	±1.4	±30'	0.1	

- 주 기
- 가능상 유해한 BURR 및 WELDLINE 등이 없을 것.
 - 적용 TERMINAL(C025) : ST741360-7, ST741361-7, ST741360-G, ST741361-G (C025 Au(Gold) PARTIAL PLATING TERMINAL 3PIN 이하 적용할 것)
적용 TERMINAL(C060) : ST741362-7, ST741363-7, ST741364-7
적용 TERMINAL(N110) : ST741367-3, ST741368-3, ST741369-3
적용 TERMINAL(FAKRA) : KR30202-20, KR00408-20, KR30301-20
적용 CONNECTOR : MG657163
 - PANEL 두께 : 0.70mm~0.75mm
 - 제품내 함유된 6대 유해물질 (납,수은,카드뮴,6가크롬,PBBs,PBDEs)은 EU ELV 지침 및 RoHS 법규에서 지정한 최대 허용 농도를 초과해서는 안된다.

- NOTE
- MUST BE FREE OF BURR, WELDLINE AND IMPERFECTION THAT AFFECT FUNCTION.
 - APPLICABLE TERMINAL(C025) : ST741360-7, ST741361-7, ST741360-G, ST741361-G (USE C025 Au(Gold) PARTIAL PLATING TERMINAL LESS THAN 3 PIN)
APPLICABLE TERMINAL(C060) : ST741362-7, ST741363-7, ST741364-7
APPLICABLE TERMINAL(N110) : ST741367-3, ST741368-3, ST741369-3
APPLICABLE TERMINAL(FAKRA) : KR30202-20, KR00408-20, KR30301-20
APPLICABLE CONNECTOR : MG657163
 - PANEL THICKNESS : 0.70mm~0.75mm
 - 6 HAZARDOUS SUBSTANCES IN PARTS (LEAD, MERCURY, CADMIUM, HEXAVALENT CHROMIUM, PBBs, PBDEs) SHALL NOT EXCEED THE MAXIMUM PERMISSIBLE CONCENTRATION PRESCRIBED UNDER EU ELV DIRECTIVE & RoHS REGULATION.



NO.	MATERIAL	COLOR
0	P B T	NATURAL
1		RED
2		BLUE
20		JADE
3		YELLOW
4		GRAY
40		DARK GRAY
41		LIGHT GRAY
* 5		BLACK
6		DARK GREEN
7		BROWN
8	LIGHT GREEN	
9	MAGENTA	
11	ORANGE	



PART LIST

NO.	PART NAME	PART NO.	MATERIAL	COLOR	Q'TY
1	025060110 FAKRA DOOR 57M HSG	MG677662	SEE TABLE	SEE TABLE	1
2	025060110 FAKRA DOOR 57M SPACER	MG677663-41	PBT	L/GRAY	1
3	025060110 FAKRA DOOR 57M PLATE	MG677664	POM	NATURAL	1
4	025060110 FAKRA DOOR 57M GASKET SEAL	R603935	EPDM	BLACK	1

MATERIAL	SEE TABLE	KET KOREA ELECTRIC TERMINAL CO., LTD.		
FINISH	SEE TABLE			
WIRE RANGE	CLASS 025/060/110/FAKRA			
INSULATION	TYPE	비방수		
LTR	REVISION RECORD	DR, CHK, APP, DATE	SCALE 1/1	PART NO. MG646394
DR, JY, K	2020.02.12	CHK,		
CHK, WDH	2020.02.12	APP, CMS	2020.02.12	PART_NAME 025060110 FAKRA DOOR 57M ASSY