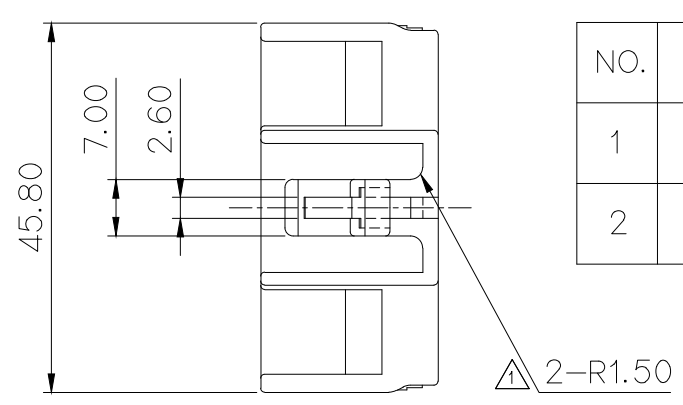


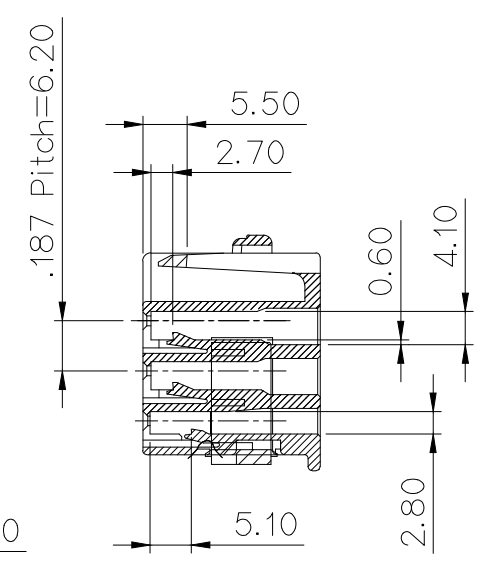
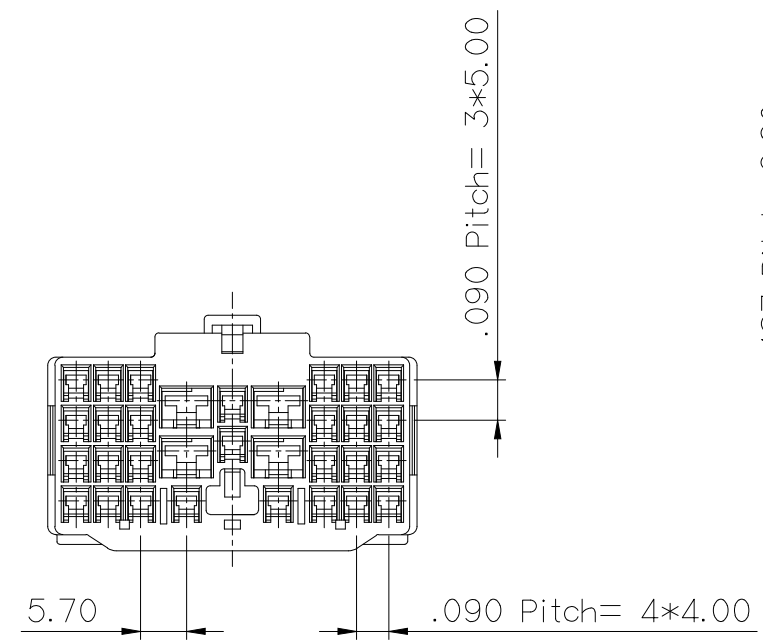
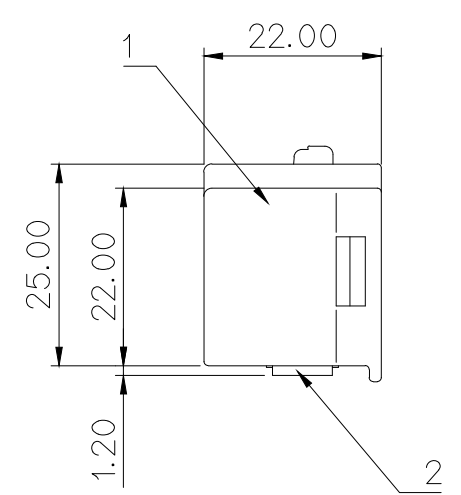
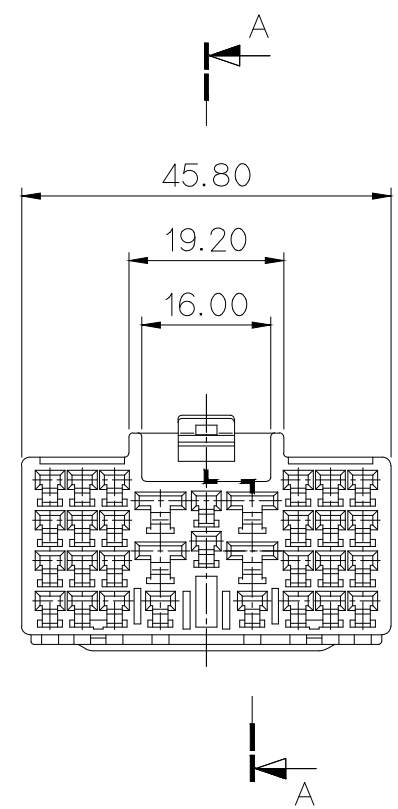
주 기

1. 제품기능상 유해한 BURR, 변형 및 WELDLINE 등이 없을 것.
2. 적용 TERMINAL: ST730644, 645, 646(.187 TYPE: 4EA)
ST730675, 676, 677 (.090 TYPE : 28 EA)
3. 적용 HOUSING: MG641016
4. SPACER는 본 도면과 같이 1차 LOCK'G 상태로 유지, 공급할 것.
5. 제품내 함유된 6대 유해물질 (납, 수은, 카드뮴, 6가 크롬, PBBs, PBDEs)은 EU ELV 지침 및 RoHS 법규에서 지정한 최대 허용 농도를 초과해서는 안 된다.

GENERAL TOLERANCE (HOUSING)							USED ON
10 MAX	50 MAX	100 MAX	250 MAX	250 VR	ANGLE	ECCENT	
±0.2	±0.3	±0.55	±0.95	±1.4	±30'	0.1	

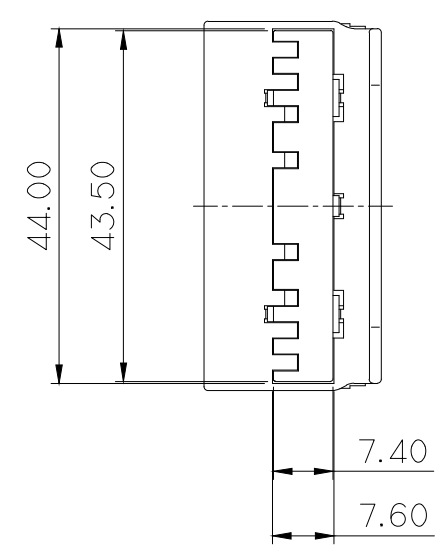


NO.	PART NO.	PART NAME	MATERIAL	REMARK
1	MG671036	DOOR 32P PLUG HOUSING	PBT	NATURAL
2	MG671037	DOOR 32P PLUG SPACER	PBT	NATURAL



NOTE

1. MUST BE FREE OF BURR, WELDLINE AND IMPERFECTION THAT AFFECT FUNCTION.
2. APPLICABLE TERMINAL :ST730644,645,646(.187 TYPE: 4EA)
ST730675,676,677 (.090 TYPE : 28 EA)
3. APPLICABLE HOUSING :MG641016
4. SPACER IS SUPPORT WITH THE 1st LOCK CONDITON.
5. 6 HAZARDOUS SUBSTANCES IN PARTS (LEAD, MERCURY, CADMIUM, HEXAVALENT CHROMIUM, PBDEs) SHALL NOT EXCEED THE MAXIMUM PERMISSIBLE CONCENTRATION PRESCRIBED UNDER EU ELV DIRECTIVE.



APPROVED
2018-12-07
KOREA ELECTRIC
TERMINAL CO., LTD.
Korea Electric Te
rminal Co., LTD.

ISSUE MARK

		MATERIAL		SEE TABLE	KET KOREA ELECTRIC ENGINEERED TERMINAL CO., LTD.
		FINISH		SEE TABLE	
		WIRE RANGE		CLASS	
		INSULATION		TYPE	
△	시방변경(010016) 근거 수정	WON		'00.11.29	
LTR	REVISION RECORD	DR.	CHK.	APP.	DATE
	DR. WON '96.02.26	CHK.KKJ	JJH		3.06
	CHK. JANG	3.07	APP. Watanabe		3.07
		TOLERANCE EXCEPT AS NOTED		SEE TABLE	SCALE 1/1
		PART NAME		DOOR 32P PLUG HOUSING ASS'Y	
				PART NO. MG651013	