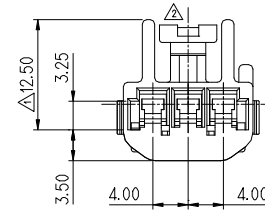
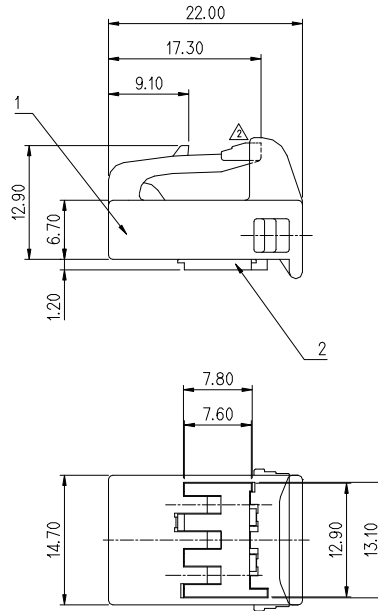
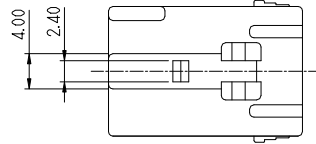
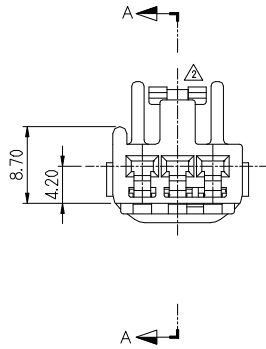


SECT' A-A



GENERAL TOLERANCE (HOUSING)							USED ON
1MAX	5MAX	10MAX	20MAX	45MAX	ANGLE	ECCENT	
±0.1	±0.15	±0.2	±0.25	±0.3	±30'	0.1	

NOTE

1. \ @ _ & ^ X : | K \ ! _ J ^ I ' 3 P ^ * ! | 5 \ R _ 2 \ F _ " ^ 3 ' K | \$ B U R R , ^ (' Q | \$ ^ 3 ' ! 5 ^ " 5 | 7 W E L D L I N E ^ J ' 3 | P \ , _ 5 ^ ' % | 2 ^ R ' 3 | C ^ ! ' % | 3 .
2. ^ - ' % ! | ^ R ' - | P T E R M I N A L : S T 7 3 0 6 7 5 , 6 7 6 , 6 7 7
3. ^ - ' % ! | ^ R ' - | P H O U S I N G : M G 6 4 1 0 3 5
4. S P A C E R ^ I ' !] ? ^ N ' S ! ? ~] _) ^ " Q | \$ ~ m _ ? ^ ! ! | 9 ~ , _ 5 1 ~ / _ ! L O C K ' G ^ * ! | 5 ~ D _ " ~ _ _) ~ R _ 2 ~ ~ _ 5 , ^ G ' > P ^ G ^ H I L ^ 3 ' ! | (^ ! ' % | 3 .

NO.	MATERIAL	COLOR
0		NATURAL
1	P B T:	RED
2		BLUE
3		YELLOW
4		GRAY
5		BLACK
6		W/GREEN
7		BROWN
8		GREEN

ISSUE MARK

NO.	PART NO.	PART NAME	MATERIAL
1	MG671030	.090_L 3P PLUG HOUSING	SEE TABLE
2	MG671031	.090_L 3P PLUG SPACER	

MATERIAL		SEE TABLE	KOREA ELECTRIC TERMINAL CO., LTD.
FINISH		SEE TABLE	
WIRE RANGE			CLASS .090_L
INSULATION			TYPE 7283-1030
REVISION RECORD		DR. CHK. APP. DATE	PART NO. MG651032
DR. WON. '97.03.07	CHK. [Signature]	APP. [Signature]	7.23
CHK. [Signature]	7.23	APP. [Signature]	7.23
TOLERANCE		SEE TABLE	SCALE 2/1
PART NAME		.090_L 3P PLUG HOUSING ASS'Y	