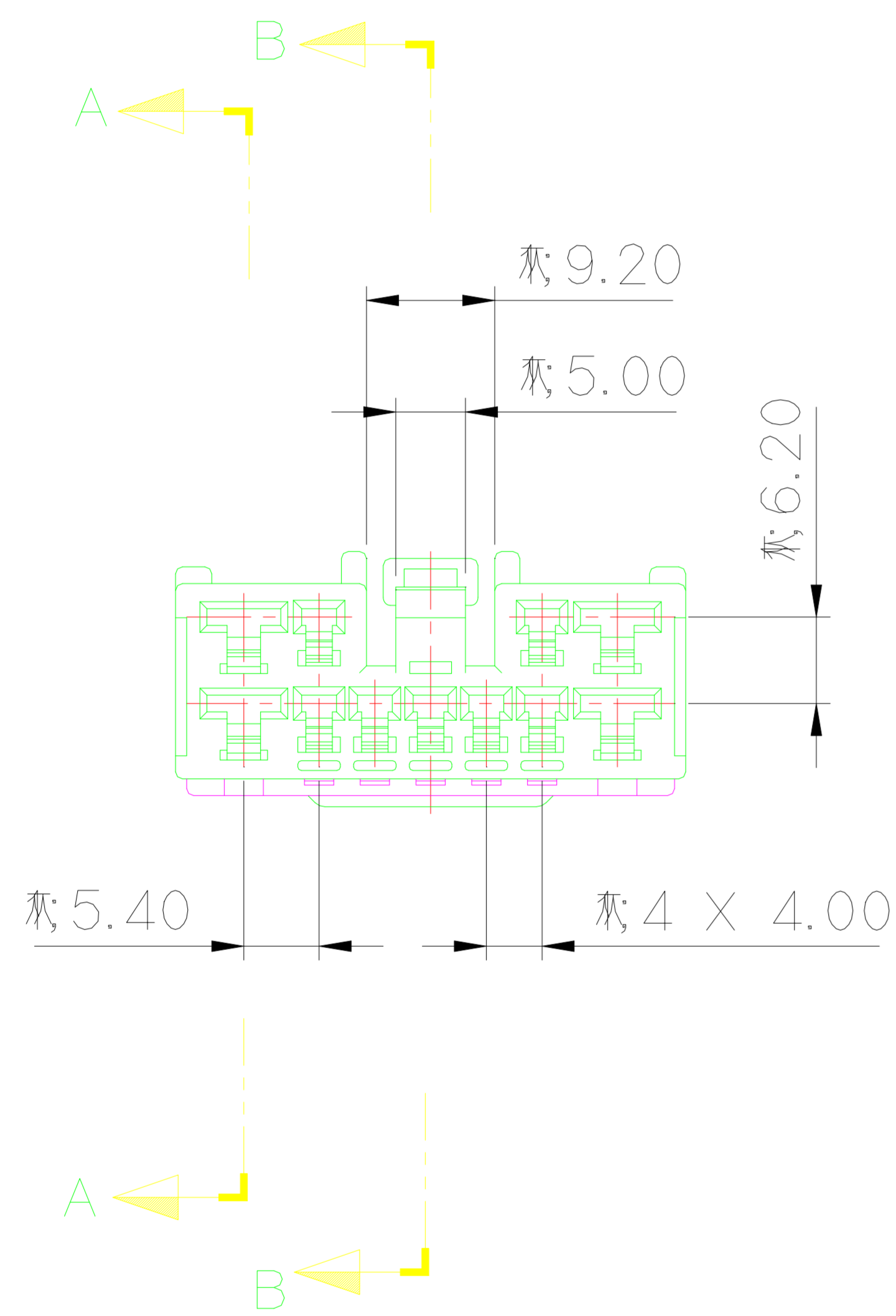
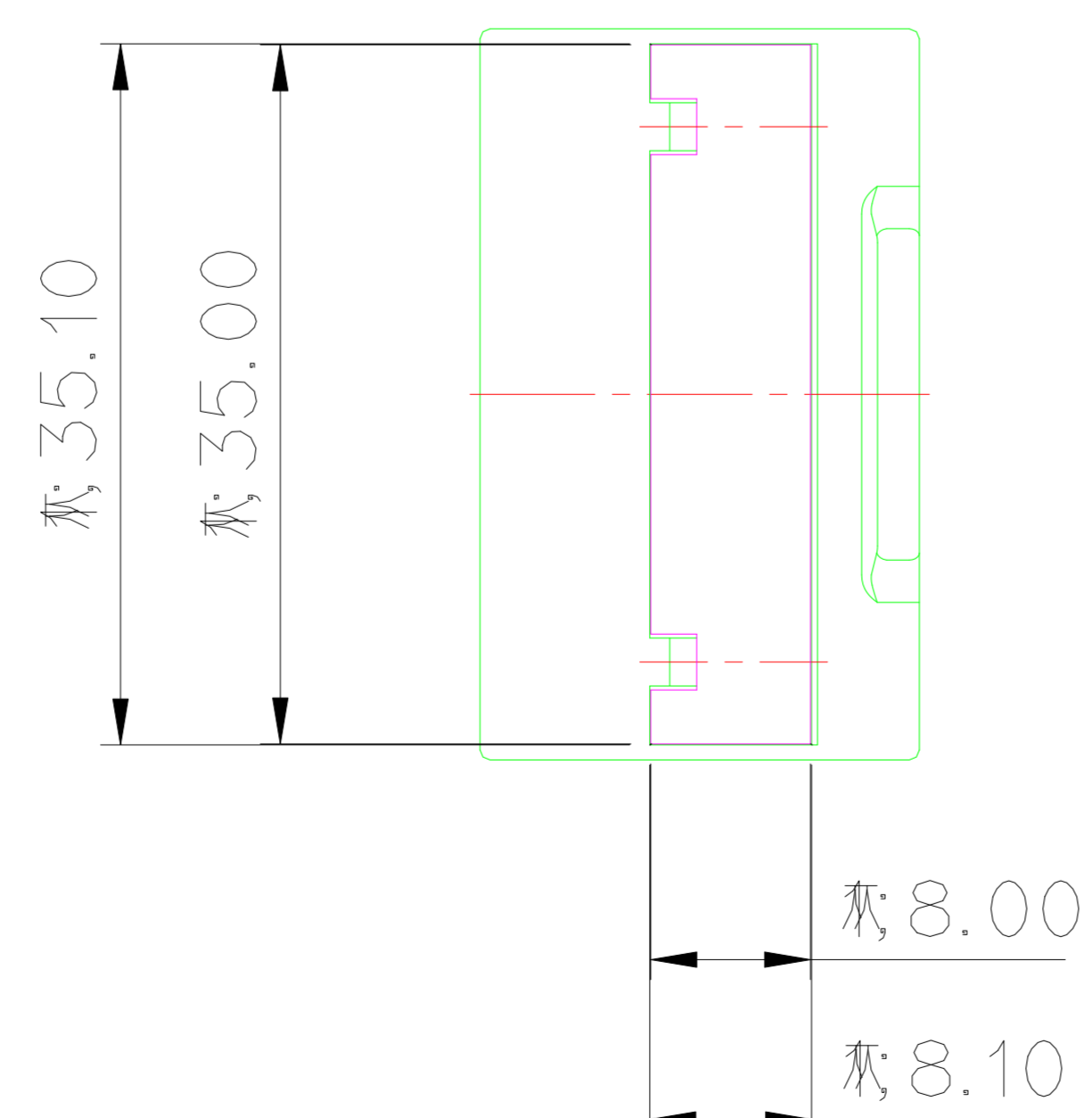
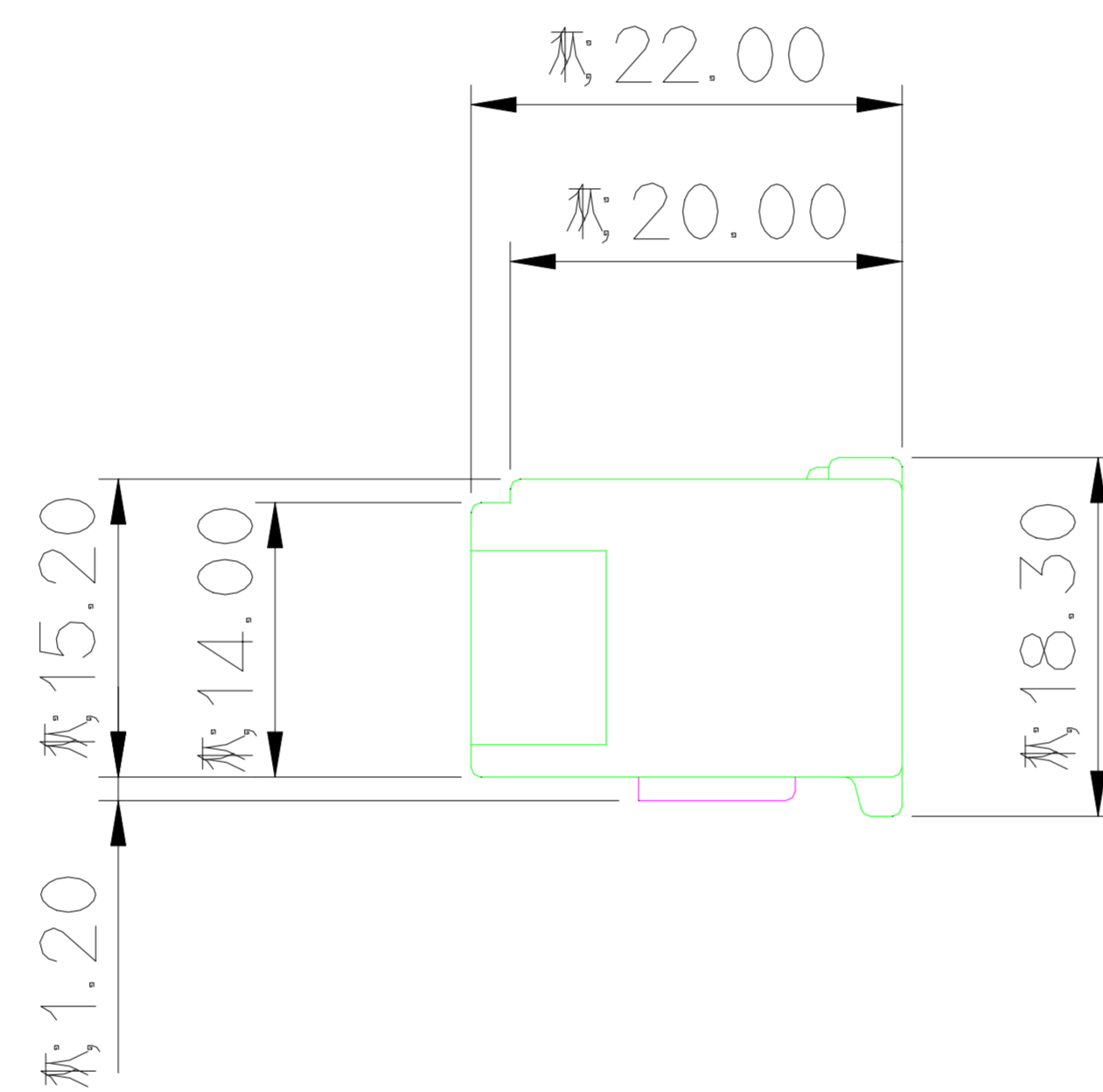
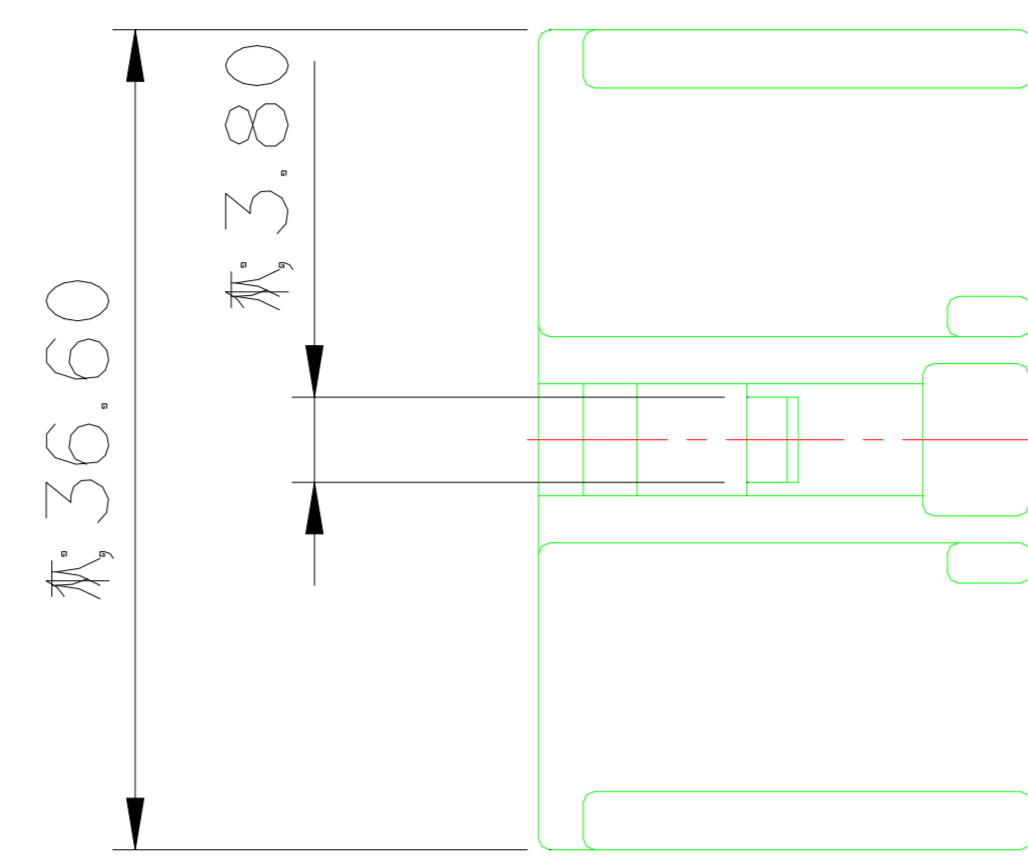
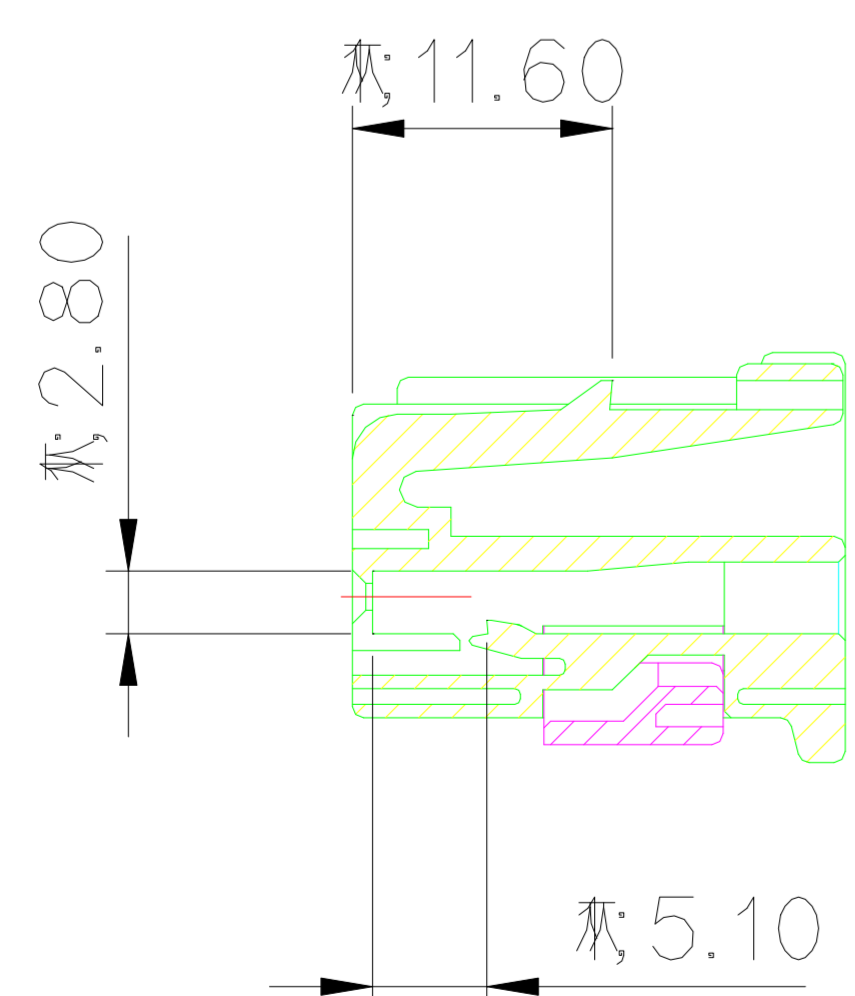


SECTION A-A



SECTION B-B

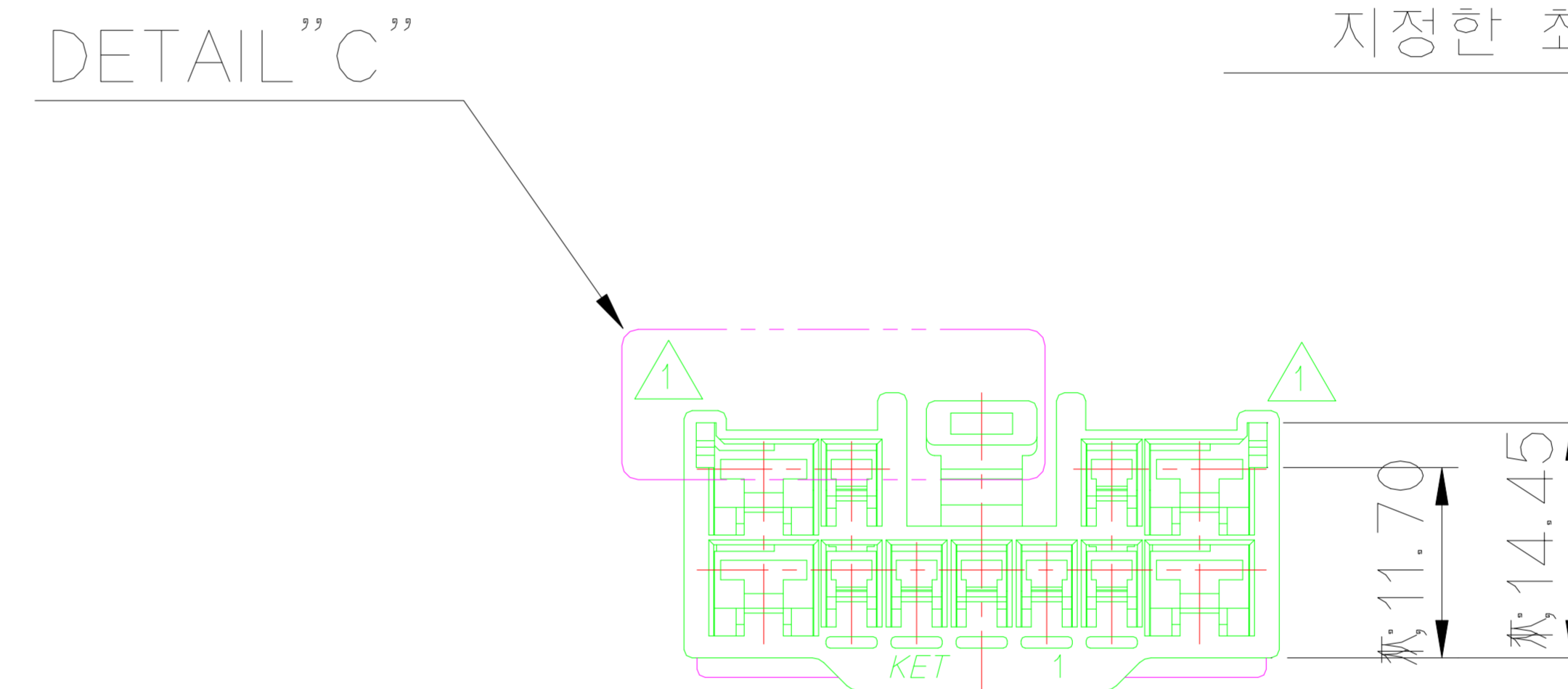
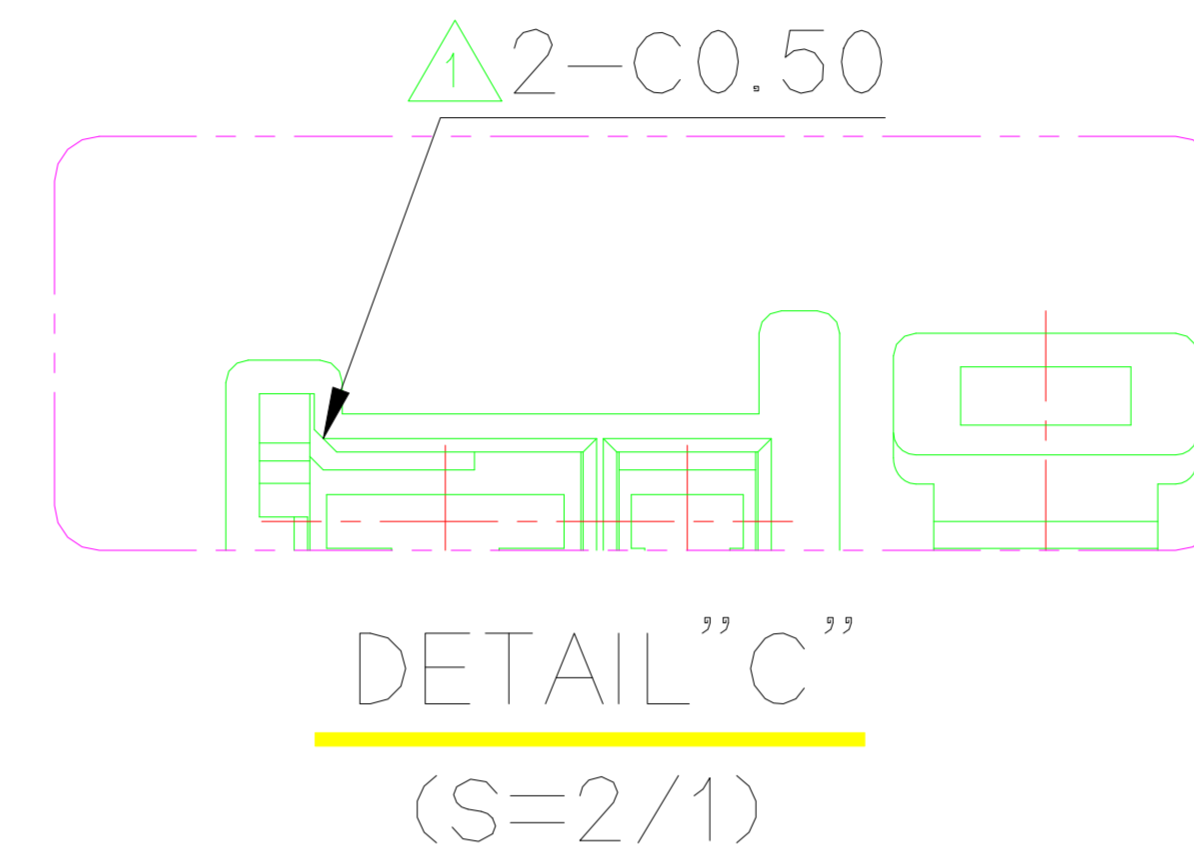


GENERAL TOLERANCE (HOUSING)							USED ON
10MAX	50MAX	100MAX	250MAX	250VR	ANGLE	ECCENT	
±0.2	±0.3	±0.55	±0.95	±1.4	±30'	0.1	

NO.	PART NO.	PART NAME	MATERIAL	FINISH
1	MG671523	1809 11P PLUG HOUSING	PBT	NATURAL
2	MG671524	1809 11P PLUG SPACER	PBT	YELLOW

NOTE

- 기능상 유해한 BURR 및 WELDLINE 등이 없을 것.
- 적용 TERMINAL: ST730675, 676, 677(.090II) ST730644, 645, 646(.187II)
- 적용 CONN'T: MG641528
- 제품내 함유된 6대 유해물질 (납, 수은, 카드뮴, 6가크롬, PBBs, PBDEs)은 EU ELV 지침 및 RoHS 법규에서 지정한 최대 허용 농도를 초과해서는 안된다.



NOTE

- MUST BE FREE OF BURR AND WELDLINE.
- APPLICABLE TERMINAL: ST730675, 676, 677(.090II) ST730644, 645, 646(.187II)
- APPLICABLE CONN'T: MG641528
- 6 HAZARDOUS SUBSTANCES IN PARTS (LEAD, MERCURY, CADMIUM, HEXAVALENT CHROMIUM, PBBs, PBDEs) SHALL NOT EXCEED THE MAXIMUM PERMISSIBLE CONCENTRATION PRESCRIBED UNDER EU ELV DIRECTIVE & RoHS REGULATION.

NO.	METERIAL	COLOR
0	P B T:	NATURAL
1		RED
2		BLUE
3		YELLOW
4		GRAY
5		BLACK
6		W/GREEN
7		BROWN
8	GREEN	

ISSUE MARK

		MATERIAL		SEE TABLE	KOREA ELECTRIC TERMINAL CO., LTD.
		FINISH		SEE TABLE	
		WIRE RANGE			CLASS
		INSULATION			TYPE
ECO-1112-344 근거 도면 제작성 LTR REVISION RECORD DR. WON. '97.12.09 CHK. 1/10		LHS CSH HSH '11.12.16 DR. CHK. APP. DATE 1/10 1/10		TOLERANCE EXCEPT AS NOTED SEE TABLE SCALE 1/1	PART NO. MG651525
		PART NAME		1809 11P PLUG HOUSING ASS'Y	