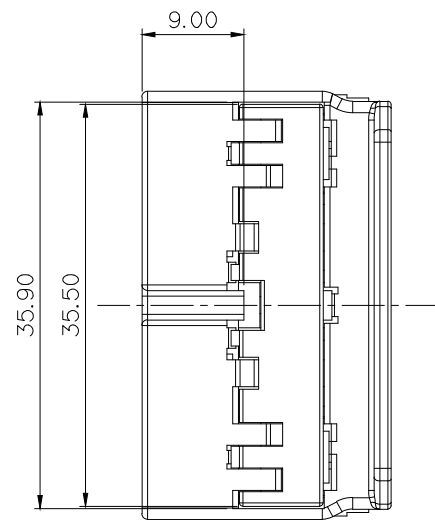
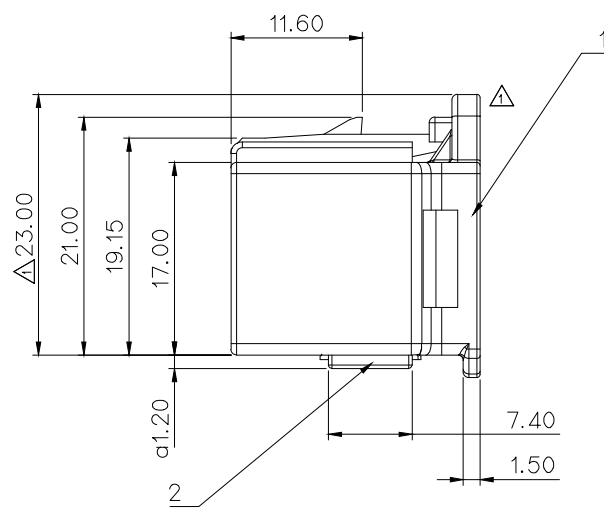
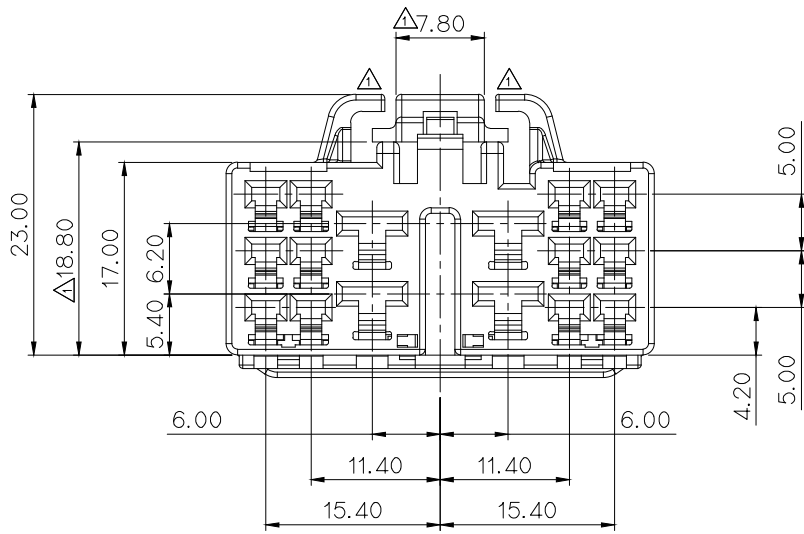
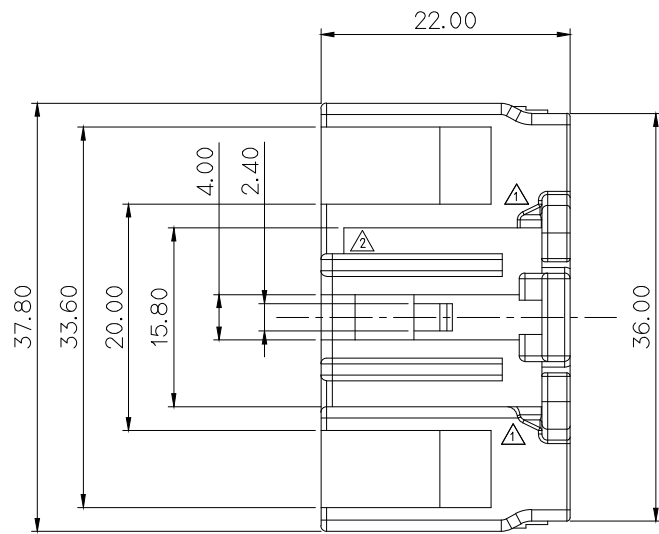


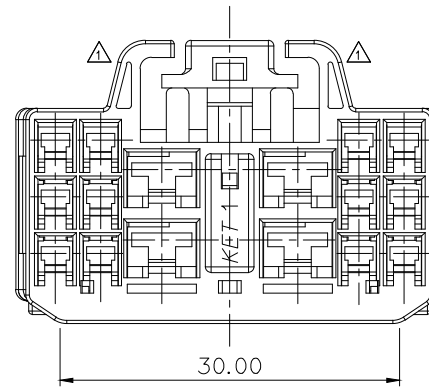
ISO VIEW



GENERAL TOLERANCE (HOUSING)										USED ON
10MAX	30MAX	50MAX	70MAX	100MAX	120MAX	250MAX	250VR	ANGLE	ECCENT	
±0.15	±0.2	±0.3	±0.4	±0.5	±0.75	±0.9	±1.4	±30'	0.1	

NO.	PART NO.	PART NAME	MATERIAL	FINISH
1	MG671877	1809 16P PLUG HOUSING (L)	SEE TABLE	NATURAL
2	MG671004	1809 16P PLUG SPACER		NATURAL

NO.	MATERIAL	COLOR
0	P B T	NATURAL
1		RED
2		BLUE
3		YELLOW
4		GRAY
5		BLACK
6		W/GREEN
7		BROWN
8	GREEN	



주 기

1. 제품기능상 유해한 BURR, 변형 및 WELDLINE 등이 없을것.
2. 적용 TERMINAL : ST730644,645,646 (.187 TYPE : 4 EA)
ST730675,676,677 (.090 TYPE : 12 EA)
3. 적용 HOUSING : MG641883 (1809 16P REC. ASS'Y(L))
4. SPACER는 본 도면과 같이 1차 LOCK'G 상태로 유지,공급할것.

NOTE

1. MUST BE FREE OF FLASH, DISTORTION AND IMPERFECTION THAT AFFECT FUNCTION.
2. APPLICABLE TERMINAL : ST730644,645,646 (.187 TYPE : 4 EA)
ST730675,676,677 (.090 TYPE : 12 EA)
3. APPLICABLE HOUSING : MG641883 (1809 16P REC. ASS'Y(L))
4. SPACER MUST BE KEEP AND SUPPLY FOR FIRST LOCKING CONDITION AS THIS DRAWING.

APPROVED

2019-11-06

KOREA ELECTRIC
TERMINAL CO., LTD.
Korea Electric Te
rminal Co., LTD.

ISSUE MARK

MATERIAL		SEE TABLE	FINISH		SEE TABLE	WIRE RANGE		CLASS
ECO-1612-264 크기 도면 재작성 (Key-code 누락 등대)		LND	CJH	LSY	2016.12.15	INSULATION		TYPE
ECO-1601-162 크기 도면 재작성 (리브 돌출 방지 구조 추가)		AJH	CKY	LSY	2016.01.06	TOLERANCE EXCEPT AS NOTED		SCALE 2/1
LTR	REVISION RECORD	DR.	CHK.	APP.	DATE	PART NO.		MG651881
DR.	WK CHOI 99.09.01	CHK.	KKJ		9/1	PART NAME		1809 16P PLUG HOUSING ASS'Y (L)
CHK.	BOG 9/1	APP.	CJH		9/4			

KIET KOREA ELECTRIC
ENGINEERED TERMINAL CO., LTD.

PART NO. MG651881

PART NAME 1809 16P PLUG HOUSING ASS'Y (L)