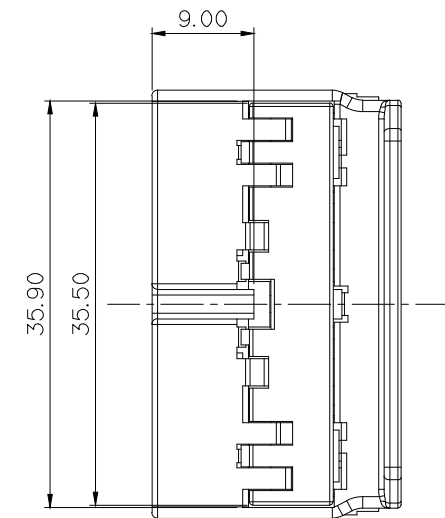
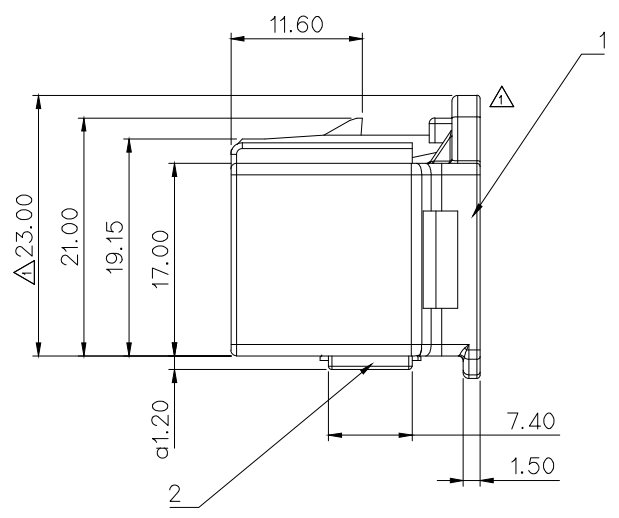
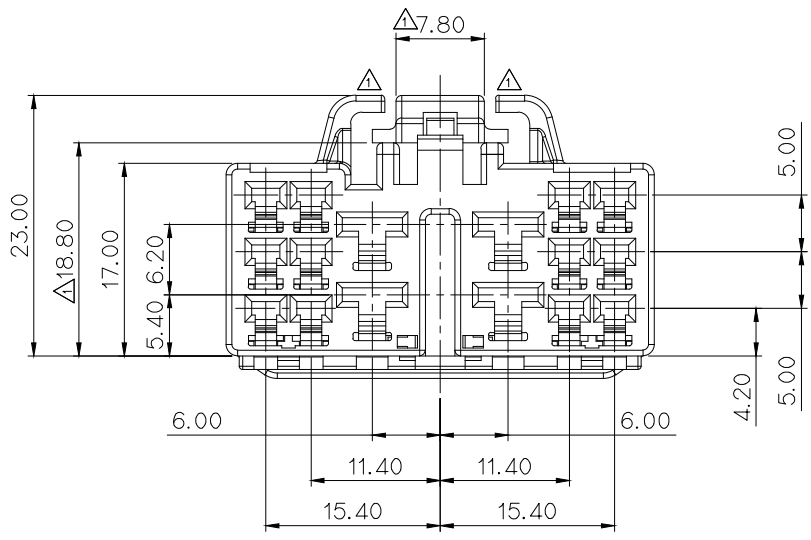
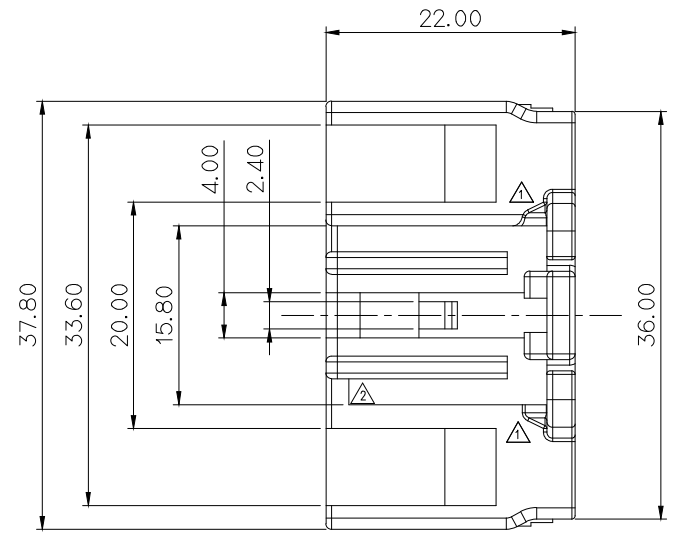


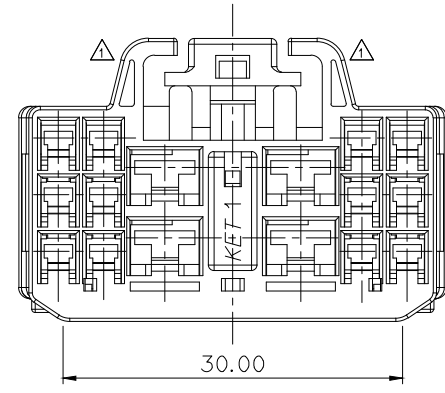
ISO VIEW



| GENERAL TOLERANCE (HOUSING) | | | | | | | | | | USED ON |
|-----------------------------|-------|-------|-------|--------|--------|--------|-------|-------|--------|---------|
| 10MAX | 30MAX | 50MAX | 70MAX | 100MAX | 120MAX | 250MAX | 250VR | ANGLE | ECCENT | |
| ±0.15 | ±0.2 | ±0.3 | ±0.4 | ±0.5 | ±0.75 | ±0.9 | ±1.4 | ±30' | 0.1 | |

| NO. | PART NO. | PART NAME | MATERIAL | FINISH |
|-----|----------|---------------------------|-----------|---------|
| 1 | MG671878 | 1809 16P PLUG HOUSING (R) | SEE TABLE | YELLOW |
| 2 | MG671004 | 1809 16P PLUG SPACER | | NATURAL |

| NO. | MATERIAL | COLOR |
|-----|----------|---------|
| 0 | P B T | NATURAL |
| 1 | | RED |
| 2 | | BLUE |
| 3 | | YELLOW |
| 4 | | GRAY |
| 5 | | BLACK |
| 6 | | W/GREEN |
| 7 | | BROWN |
| 8 | GREEN | |



주 기

1. 제품기능상 유해한 BURR, 변형 및 WELDLINE 등이 없을 것.
2. 적용 TERMINAL : ST730644,645,646 (.187 TYPE : 4 EA)
ST730675,676,677 (.090 TYPE : 12 EA)
3. 적용 HOUSING : MG641884 (1809 16P REC. ASS'Y(R))
4. SPACER는 본 도면과 같이 1차 LOCK'G 상태로 유지, 공급할 것.
5. 'a'부 치수는 0.8 - 1.4까지 관리한다.

NOTE

1. MUST BE FREE OF FLASH, DISTORTION AND IMPERFECTION THAT AFFECT FUNCTION.
2. APPLICABLE TERMINAL : ST730644,645,646 (.187 TYPE : 4 EA)
ST730675,676,677 (.090 TYPE : 12 EA)
3. APPLICABLE HOUSING : MG641884 (1809 16P REC. ASS'Y(R))
4. SPACER MUST BE KEEP AND SUPPLY FOR FIRST LOCKING CONDITION AS THIS DRAWING.
5. PERMISSION DIMENSION OF "a" : 0.8 ~ 1.4



ISSUE MARK

| | | | | | | | |
|---|------------------|----------|------|-----------|-------------------|--------------------------------------|---------------------------------|
| | | MATERIAL | | SEE TABLE | KET ENGINEERED | KOREA ELECTRIC TERMINAL CO., LTD. | |
| | | FINISH | | SEE TABLE | | | |
| ECO-1612-264 크기 도면 재작성 (Key-code 누락 용대) | | LND | LND | LSY | 2016.12.15 | WIRE RANGE | |
| ECO-1601-162 크기 도면 재작성 (리브 돌출 방지 구조 추가) | | AJH | CKY | LSY | 2016.01.06 | INSULATION | |
| LTR | REVISION RECORD | DR. | CHK. | APP. | DATE | TOLERANCE EXCEPT AS NOTED | |
| DR. | WK CHOI 99.09.01 | CHK. | KKJ | 9/1 | | SCALE 2/1 | |
| CHK. | BOG 9/1 | APP. | CJH | 9/4 | | PART NO. MG651882 | |
| | | | | | | PART NAME | 1809 16P PLUG HOUSING ASS'Y (R) |