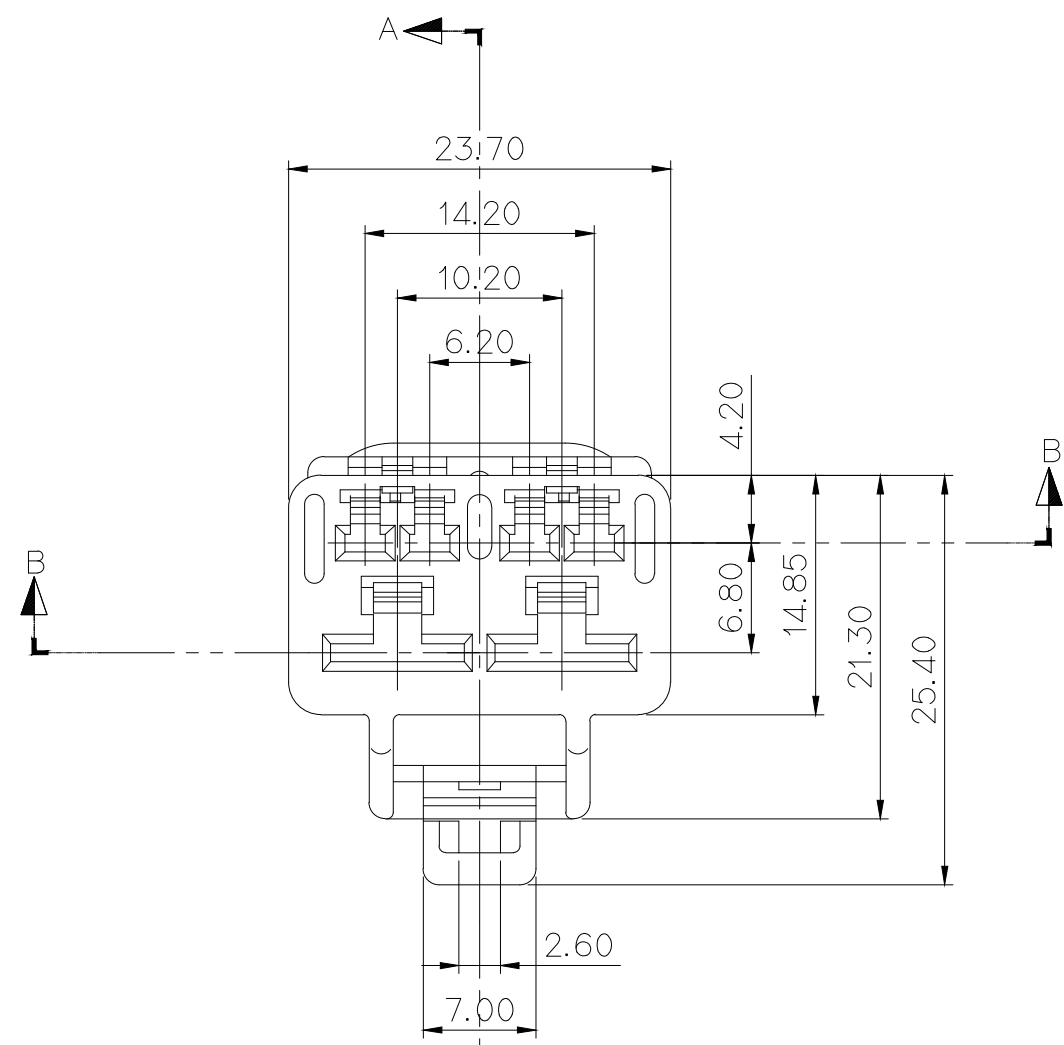


GENERAL TOLERANCE (HOUSING)							USED ON
10 MAX	50 MAX	100 MAX	250 MAX	250 VR	ANGLE	ECCENT	
±0.2	±0.3	±0.55	±0.95	±1.4	±30'	0.1	



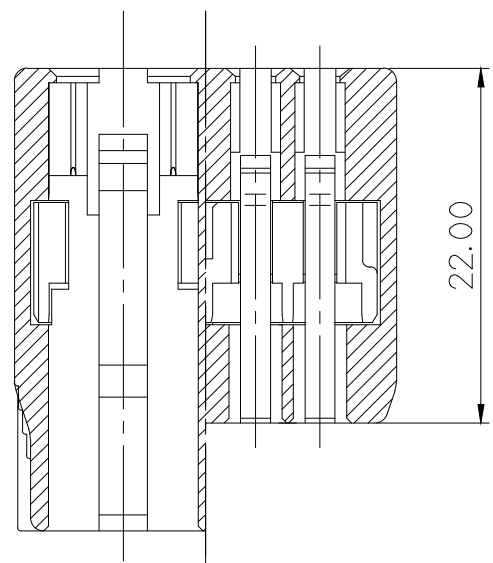
NO.	MATERIAL	COLOR
0	P B T:	NATURAL
1		RED
2		BLUE
3		YELLOW
4		GRAY
5		BLACK
6		W/GREEN
7		BROWN
8		GREEN

NOTE

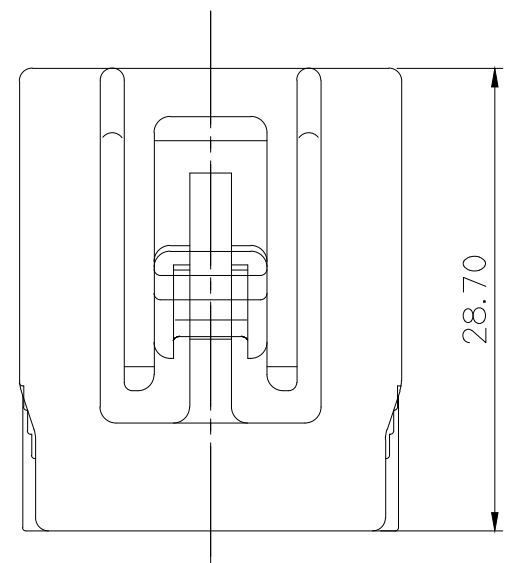
- 1.SPACER MUST NOT COME OFF HOUSING
- 5.APPLICABLE TERMINAL NO. : ST730642,643(312 II)
: ST730675,676,677(090 II)

주 기

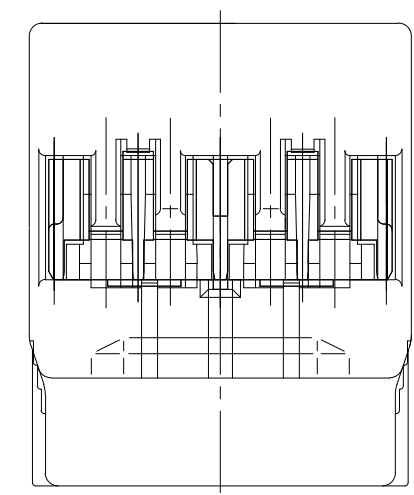
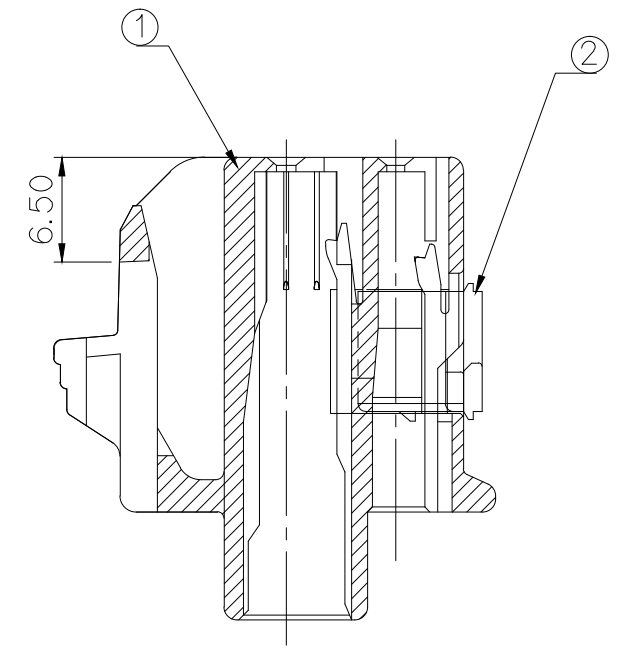
- 1. SPACER 는 HOUSING 에서 이탈되지 않을 것.
- 2. 적용 TERMINAL : ST730642,643(312II)
: ST730675,676,677(090 II)



SECTION B-B



SECTION A-A



ISSUE MARK

NO.	PART NO.	PART NAME	MATERIAL	FINISH
1	MG672039	3109 6P PLUG HS'G	PBT	NATURAL
2	MG672038	3109 6P PLUG. SPACER	PBT	NATURAL

MATERIAL	SEE TABLE	KET KOREA ELECTRIC ENGINEERED TERMINAL CO., LTD.
FINISH	SEE TABLE	
WIRE RANGE	CLASS 312 II .090 II	
INSULATION	TYPE 7283-1064	
TOLERANCE EXCEPT AS NOTED	SCALE 2/1	PART NO. MG652037
PART NAME 3109 6P PLUG HS'G ASS'Y		

LTR	REVISION RECORD	DR.	CHK.	APP.	DATE