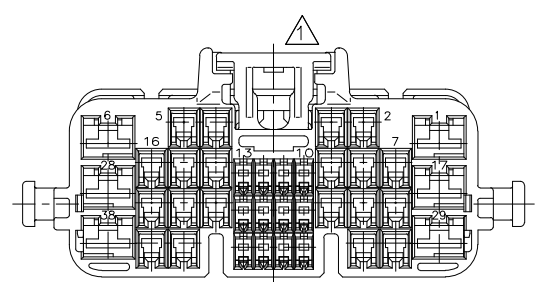
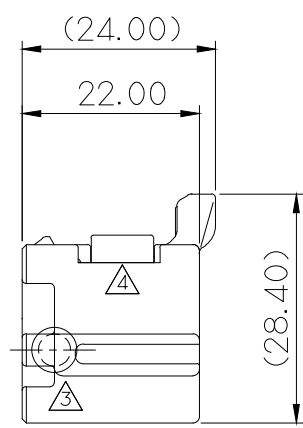


| GENERAL TOLERANCE (HOUSING) | | | | | | | USED ON |
|-----------------------------|-------|--------|--------|-------|-------|--------|---------|
| 10MAX | 50MAX | 100MAX | 250MAX | 250VR | ANGLE | ECCENT | |
| ±0.2 | ±0.3 | ±0.55 | ±0.95 | ±1.4 | ±30' | 0.1 | |

| NO. | PART NAME | MATERIAL | COLOR | QTY. | REMARKS |
|-----|----------------------|----------|-------------|------|---------|
| 1 | LIF 38P PLUG HOUSING | PBT | △ SEE TABLE | 1 | |
| 2 | LIF 38P PLUG SPACER | PBT | NATURAL | 1 | |



| △ | NO. | MATERIAL | COLOR |
|----|-----|----------|-------------|
| * | 0 | P B T | NATURAL |
| | 1 | | RED |
| △* | 2 | | BLUE |
| | 20 | | JADE |
| | 3 | | YELLOW |
| | 4 | | GRAY |
| | 40 | | DARK GRAY |
| | 41 | | LIGHT GRAY |
| | 5 | | BLACK |
| | 6 | | DARK GREEN |
| | 7 | | BROWN |
| | 8 | | LIGHT GREEN |
| | 9 | | MAGENTA |
| | 11 | | ORANGE |

주 기

- 적용 PART NO. : MG642397
- 적용 TERMINAL NO. : (040Ⅲ) : ST730770
(090Ⅱ) : ST730675, ST730676, ST730677
(187Ⅱ) : ST730644, ST730645, ST730646
- * 표시 치수의 CENTER는 50.70 ±0.1 의 CENTER로 한다.
- 제품내 함유된 6대 유해물질 (납, 수은, 카드뮴, 6가크롬, PBBs, PBDEs)은 EU ELV 지침 및 RoHS 법규에서 지정한 최대 허용 농도를 초과해서는 안된다.

NOTE

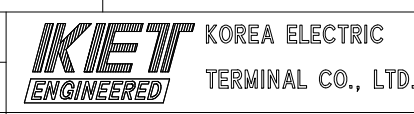
- MATING PART NO. : MG642397
- APPLICABLE TERMINAL NO.
(040Ⅲ) ST740770
(090Ⅱ) ST730675, ST730676, ST730677
(187Ⅱ) ST730644, ST730645, ST730646
- THE 50.70 ±0.1 CENTER LINE SHALL BE THE CENTER OF * DIMENSION
- 6 HAZARDOUS SUBSTANCES IN PARTS (LEAD MERCURY, CADMIUM, HEXAVALENT CHROMIUM, PPBs, PPDEs) SHALL NOT EXCEED THE MAXIMUM PERMISSIBLE CONCENTRATION PRESCRIBED UNDER EU ELV DIRECTIVE & RoHS REGULATION.

APPROVED

2018-12-07

**KOREA ELECTRIC
TERMINAL CO., LTD.
Korea Electric Te
rminal Co., LTD.**

ISSUE MARK



| LTR | REVISION RECORD | DR. | CHK. | APP. | DATE |
|-----|-----------------|------|------|------|-----------|
| | | LND | NKT | CJH | '17.04.12 |
| | | SY.L | KMH | LSY | '17.02.13 |
| | | YSS | CKY | LSY | '15.06.26 |
| | | ASY | HYJ | LSY | '14.07.28 |
| | | KJH | CSH | CWK | '13.10.31 |
| | | YM.K | CSH | HSJ | '12.10.09 |
| | | DR. | CHK. | APP. | DATE |
| | HEO, 02.03.12 | | | | 3.12 |
| | | | | | 3.13 |

| | | |
|---------------------------|--------------------|---|
| MATERIAL | SEE TABLE | KETA ENGINEERED KOREA ELECTRIC TERMINAL CO., LTD. |
| FINISH | SEE TABLE | |
| WIRE RANGE | | CLASS YAZAKI |
| INSULATION | | TYPE 7283-1684 |
| TOLERANCE EXCEPT AS NOTED | SEE TABLE | SCALE 1/1 |
| PART NAME | LIF 38P PLUG ASS'Y | |
| | | PART NO. MG652400 |