

**주 기**

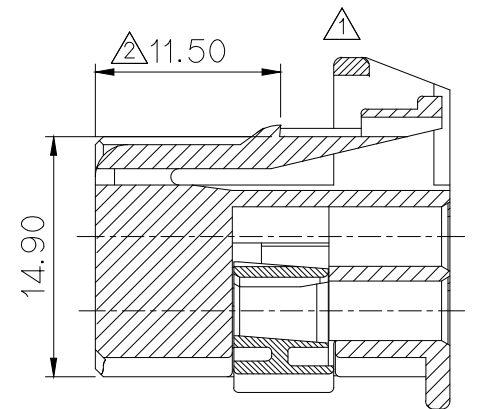
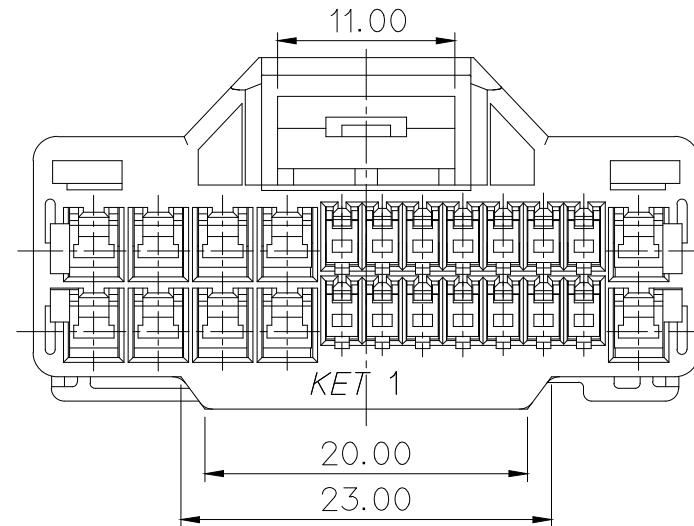
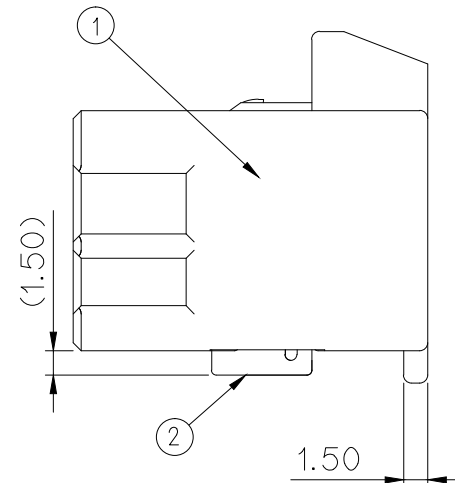
1. 기능상 유해한 BURR 및 미성형등이 없을 것.
2. SPACER는 본 도면과 같이 1차 lock'g 상태로 유지, 공급할 것.
3. 적용 HOUSING : MG642910,2974
4. 적용 TERMINAL: (ASC) ST730775,776,777 (040III) ST730770
- △ 5. 제품내 함유된 6대 유해물질 (납,수은,카드뮴,6가크롬, PBBs,PBDEs)은 EU ELV 지침 및 RoHS 법규에서 지정한 최대 허용 농도를 초과해서는 안된다.

GENERAL TOLERANCE (HOUSING)

10 MAX	50 MAX	100 MAX	250 MAX	250 VR	ANGLE	ECCENT	USED ON
±0.2	±0.3	±0.55	±0.95	±1.4	±30'	0.1	

**NOTES**

1. MUST BE FREE OF FLASH AND IMPERFECTION THAT AFFECT FUNCTION.
2. THE MOLD DRAWING IN THE SAME WAY, SPACER IS NORMAL CONDITION TO MAINTENANCE AND SUPPLY WITH FIRST LOCKING.
3. APPLICABLE HOUSING : MG642910,2974
4. APPLICABLE TERMINAL: (ASC) ST730775,776,777 (040III) ST730770
- △ 5.6 HAZARDOUS SUBSTANCES IN PARTS (LEAD, MERCURY, CADMIUM, HEXAVALENT CHROMIUM, PBBs, PBDEs) SHALL NOT EXCEED THE MAXIMUM PERMISSIBLE CONCENTRATION PRESCRIBED UNDER EU ELV DIRECTIVE & RoHS REGULATION.



**SECT A-A**

NO.	PART NAME	PART NO	FINISH	Q'TY
①	AUDIO 0409 24P PLUG HS'G	MG672913	SEE TABLE	1 EA
②	AUDIO 0409 24P PLUG SPACER	MG672912	YELLOW	1 EA

NO.	MATERIAL	COLOR
* 0	P B T	NATURAL
1		RED
2		BLUE
3		YELLOW
40		DARK GRAY
41		LIGHT GRAY
5		BLACK
6		DARK GREEN
7		BROWN
8		LIGHT GREEN
9		MAGENTA
11	ORANGE	

**APPROVED**

**2018-12-07**

**KOREA ELECTRIC  
TERMINAL CO., LTD.  
Connector Development  
Team 1**

ISSUE MARK

MATERIAL	SEE TABLE	<b>KET</b> KOREA ELECTRIC ENGINEERED TERMINAL CO., LTD.
FINISH	SEE TABLE	
WIRE RANGE		CLASS AUDIO CONN'T
INSULATION		TYPE
TOLERANCE EXCEPT AS NOTED	SCALE 2/1	PART NO. MG652911
REVISION RECORD		PART NAME AUDIO 0409 24P PLUG ASS'Y
DR. LBG 03.01.07	CHK. wk. choi	
CHK.	APP.	1/16