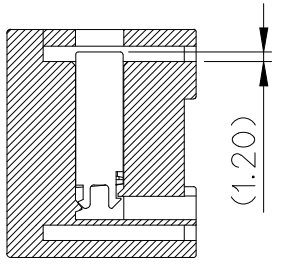
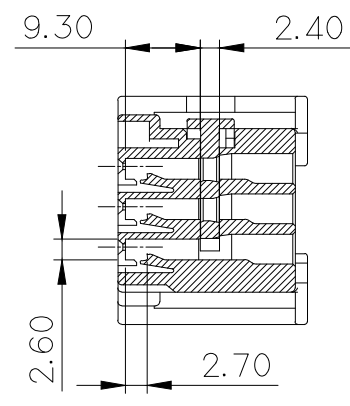
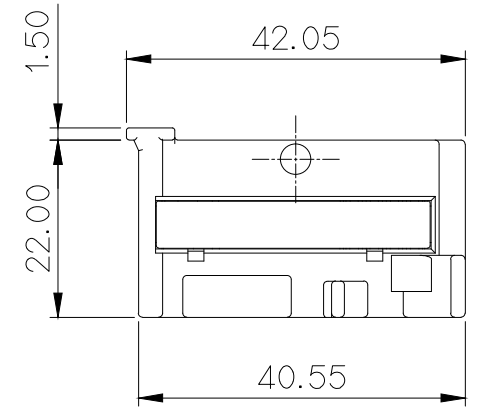


GENERAL TOLERANCE (HOUSING)							USED ON
10MAX	50MAX	100MAX	250MAX	250VR	ANGLE	ECCENT	
±0.2	±0.3	±0.55	±0.95	±1.4	±30'	0.1	



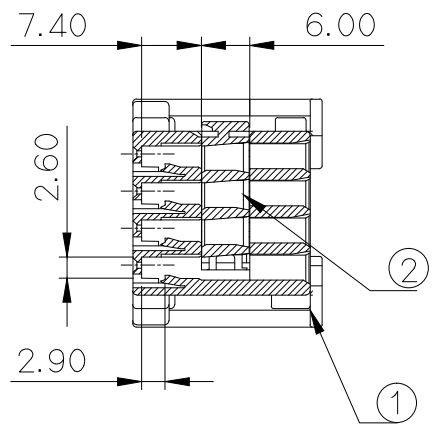
SECTION D-D



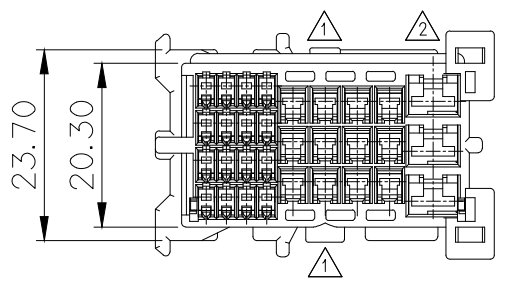
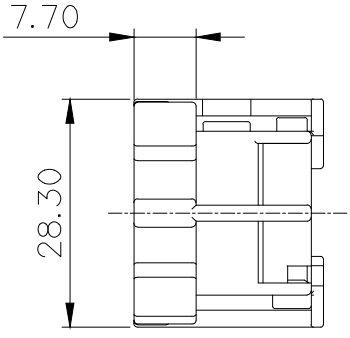
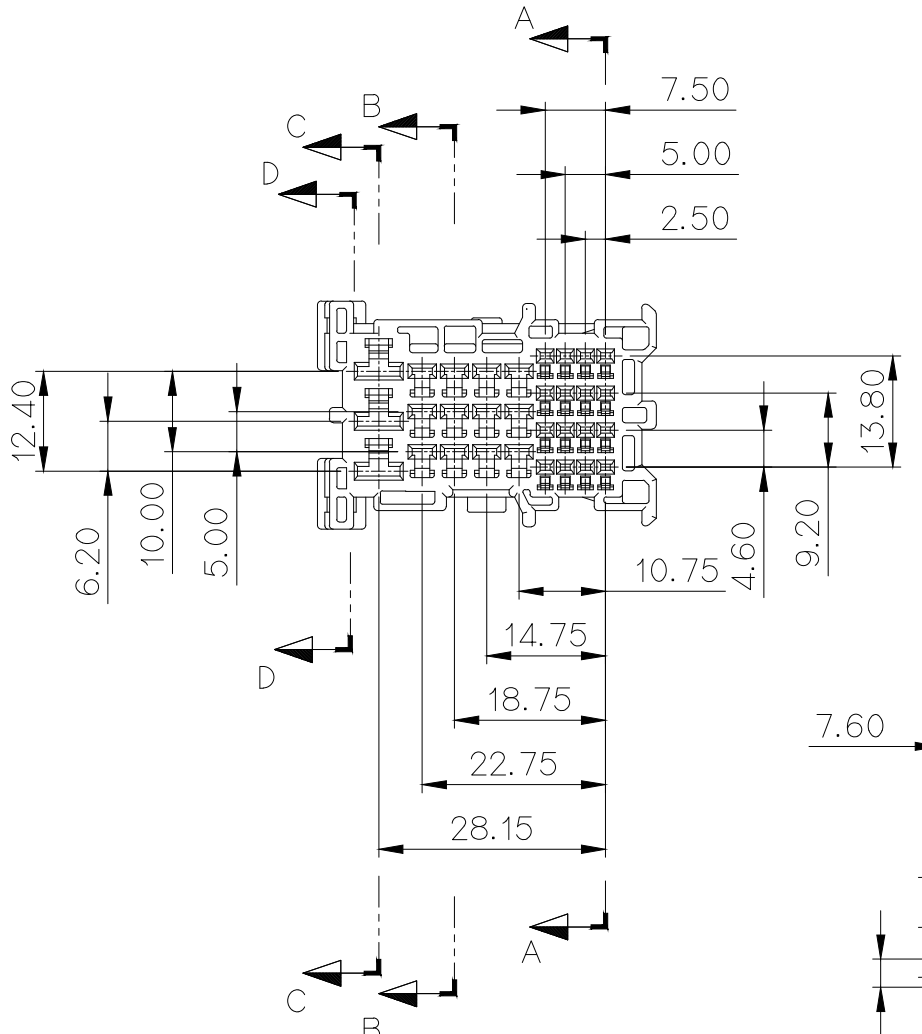
SECTION B-B
(090)

주 기

1. 기능상 유해한 FLASH 및 WELDLINE, 변형 등이 없을것.
2. 적용 TERMINAL(187): ST730644, 645, 646
적용 TERMINAL(090): ST730775, 776, 777
적용 TERMINAL(040): ST730770, 960
적용 LEVER: MG633510
상대 HOUSING: MG643507
- △ 3. 제품내 함유된 6대 유해물질 (납,수은,카드뮴,6가크롬, PBBs,PBDEs)은 EU ELV 지침 및 RoHS 법규에서 지정한 최대 허용 농도를 초과해서는 안된다.

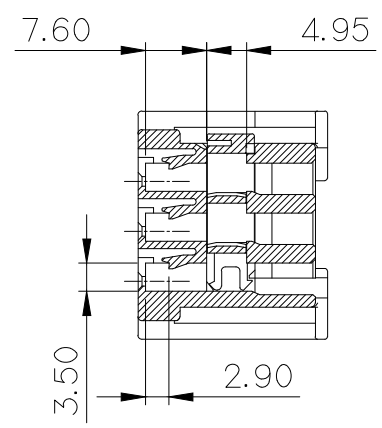


SECTION A-A
(040)



NOTE

1. MUST BE FREE OF FLASH, WELDLINE AND IMPERFECTION THAT AFFECT FUNCTION.
2. APPLICABLE TERMINAL(187) : ST730644, 645, 646
APPLICABLE TERMINAL(090) : ST730775, 776, 777
APPLICABLE TERMINAL(040) : ST730770, 960
APPLICABLE LEVER : MG633510
MATING HOUSING : MG643507
- △ 3. 6 HAZARDOUS SUBSTANCES IN PARTS (LEAD, MERCURY, CADMIUM, HEXAVALENT CHROMIUM, PBBs, PBDEs) SHALL NOT EXCEED THE MAXIMUM PERMISSIBLE CONCENTRATION PRESCRIBED UNDER EU ELV DIRECTIVE & RoHS REGULATION.



SECTION C-C
(187)

NO.	PART NO.	PART NAME	MATERIAL	FINISH
①	MG673505	LIF 31P FEMALE HOUSING	PBT	NATURAL
②	MG673506	LIF 31P FEMALE SPACER		RED

APPROVED
2018-12-07
KOREA ELECTRIC
TERMINAL CO., LTD.
Korea Electric Terminal Co., LTD.

ISSUE MARK

MATERIAL	SEE TABLE	KET KOREA ELECTRIC ENGINEERED TERMINAL CO., LTD.
FINISH	SEE TABLE	
WIRE RANGE		CLASS
INSULATION		TYPE
TOLERANCE EXCEPT AS NOTED	SEE TABLE	SCALE 1/1
DATE	'09.05.06	PART NO. MG653504
DR. KYM 04.11.02	CHK.	PART NAME LIF 31P FEMALE ASS'Y
CHK. KKJ	APP. KCH	