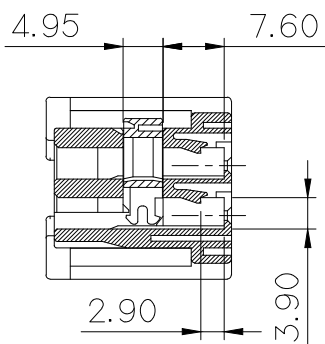
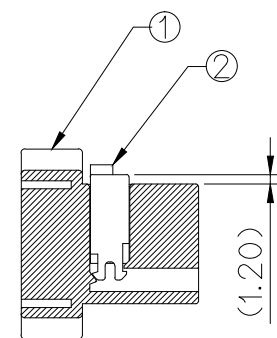


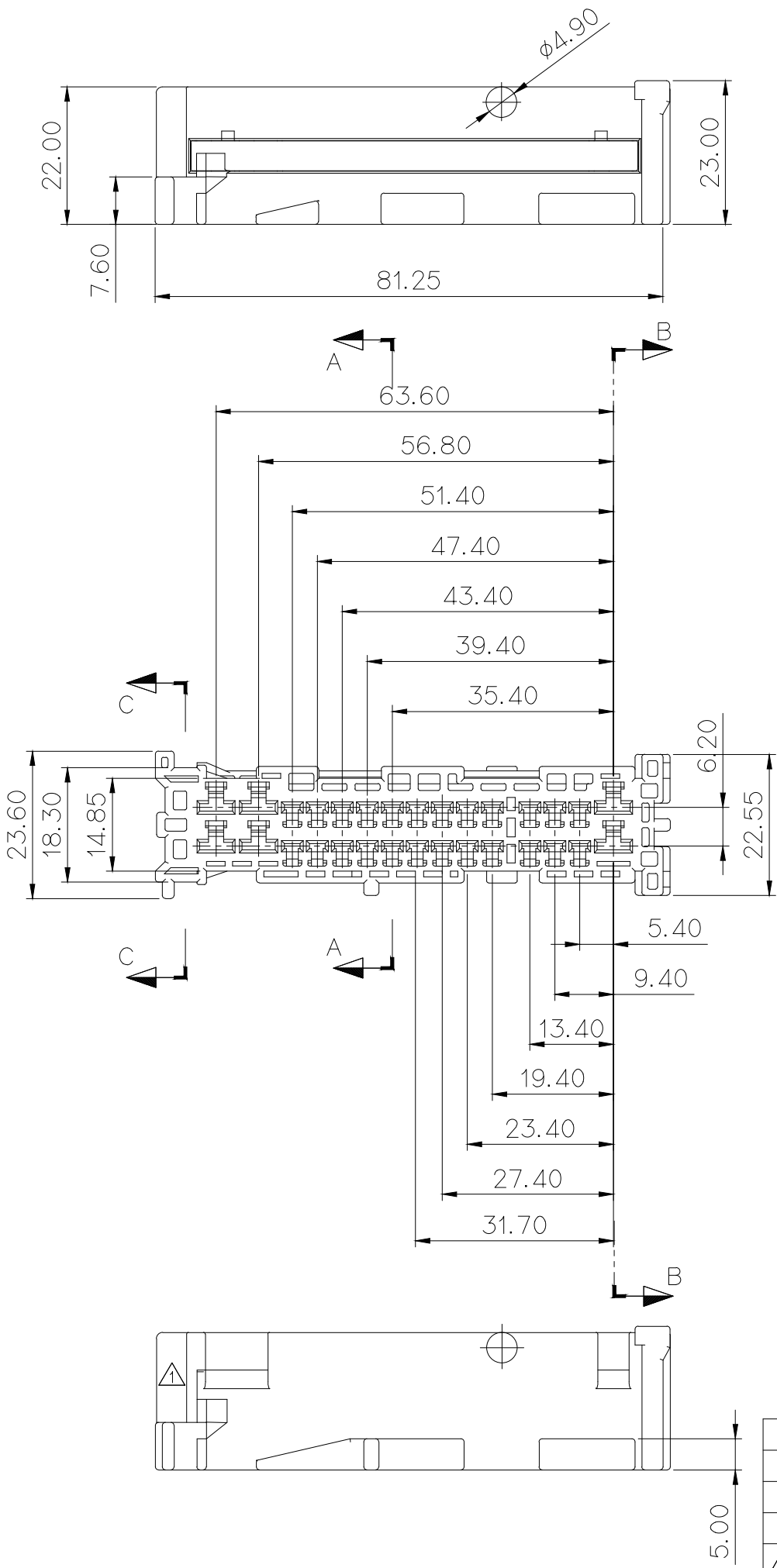
SECTION A-A
(090)



SECTION B-B
(187)



SECTION C-C

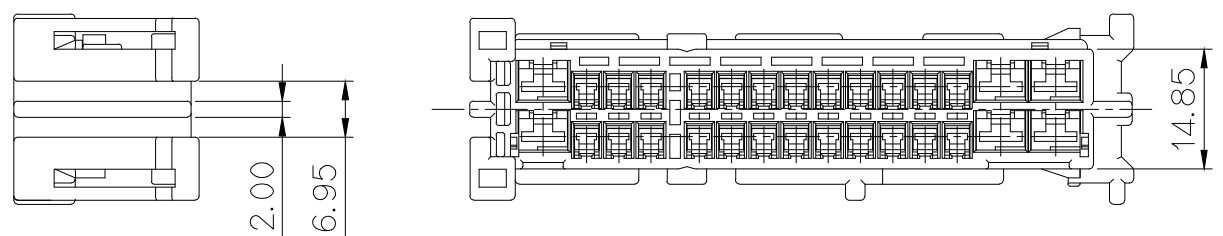


GENERAL TOLERANCE (HOUSING)							USED ON
10MAX	50MAX	100MAX	250MAX	250VR	ANGLE	ECCENT	
±0.2	±0.3	±0.55	±0.95	±1.4	±30'	0.1	

NO.	PART NO.	PART NAME	MATERIAL	FINISH
①	MG673513	LIF 30P FEMALE HOUSING	PBT	NATURAL
②	MG673514	LIF 30P FEMALE SPACER		RED

주 기

1. 기능상 유해한 FLASH 및 WELDLINE, 변형 등이 없을것.
2. 적용 TERMINAL(187): ST730644, 645, 646
적용 TERMINAL(090): ST730775, 776, 777
적용 LEVER: MG633515
3. 제품내 함유된 6대 유해물질 (납, 수은, 카드뮴, 6가 크롬, PBBs, PBDEs)은 EU ELV 지침 및 RoHS 법규에서 지정한 최대 허용 농도를 초과해서는 안된다.



NOTE

1. MUST BE FREE OF FLASH, WELDLINE AND IMPERFECTION THAT AFFECT FUNCTION.
2. APPLICABLE TERMINAL(187) : ST730644, 645, 646
APPLICABLE TERMINAL(090) : ST730775, 776, 777
APPLICABLE LEVER : MG633515
3. 6 HAZARDOUS SUBSTANCES IN PARTS (LEAD, MERCURY, CADMIUM, HEXAVALENT CHROMIUM, PBDEs) SHALL NOT EXCEED THE MAXIMUM PERMISSIBLE CONCENTRATION PRESCRIBED UNDER EU ELV DIRECTIVE & RoHS REGULATION.

APPROVED

2018-12-11

KOREA ELECTRIC
TERMINAL CO., LTD.
Korea Electric Te
rminal Co., LTD.

ISSUE MARK

MATERIAL	SEE TABLE	KOREA ELECTRIC TERMINAL CO., LTD.
FINISH	SEE TABLE	
WIRE RANGE		CLASS
INSULATION		TYPE
TOLERANCE EXCEPT AS NOTED	SEE TABLE	SCALE 1/1
PART NAME	LIF 30P FEMALE ASS'Y	
LTR	REVISION RECORD	DATE
DR.	KYM 04.11.02	'09.10.29
CHK.		
APP.	KKJ	