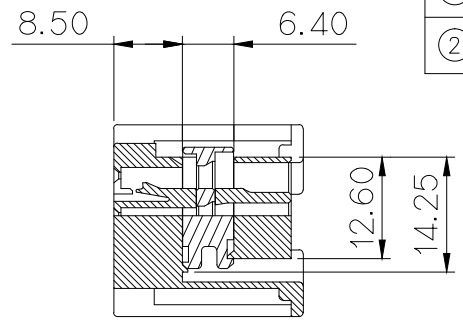
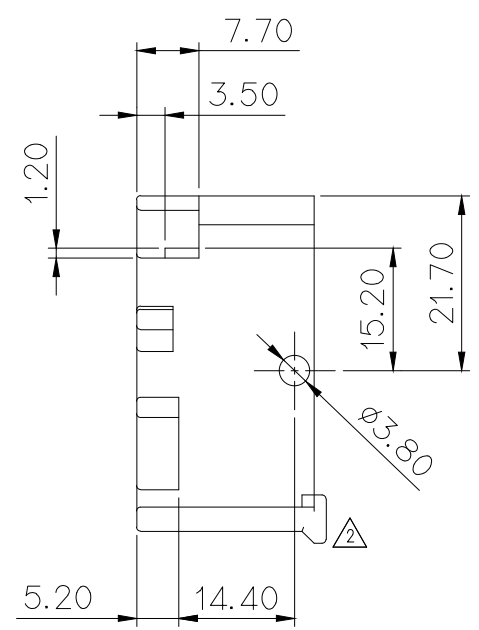
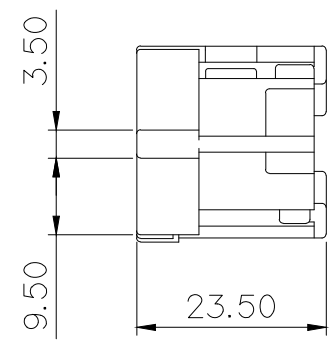
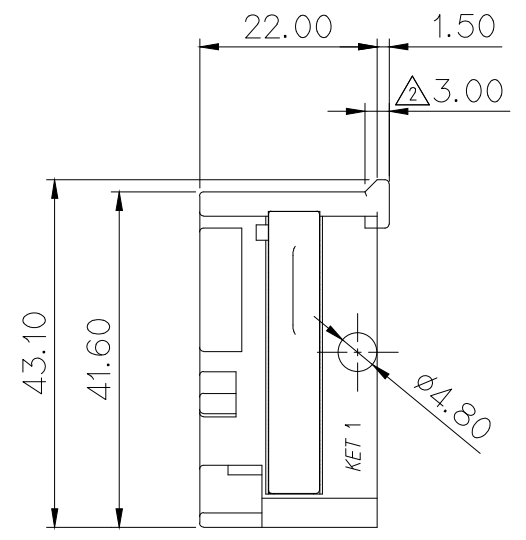


NO.	PART NO.	PART NAME	MATERIAL	FINISH
①	MG673560	LIF 33F HOUSING (C TYPE)	PBT	NATURAL
②	MG673181	LIF 33F SPACER		GRAY

GENERAL TOLERANCE (HOUSING)							USED ON
10MAX	50MAX	100MAX	250MAX	250VR	ANGLE	ECCENT	
±0.2	±0.3	±0.55	±0.95	±1.4	±30'	0.1	

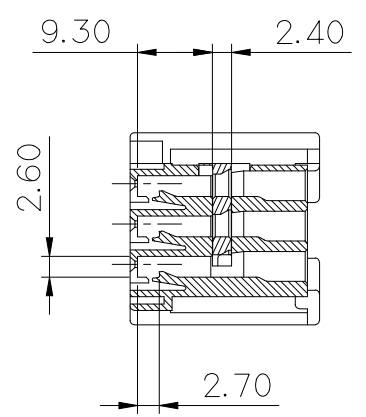
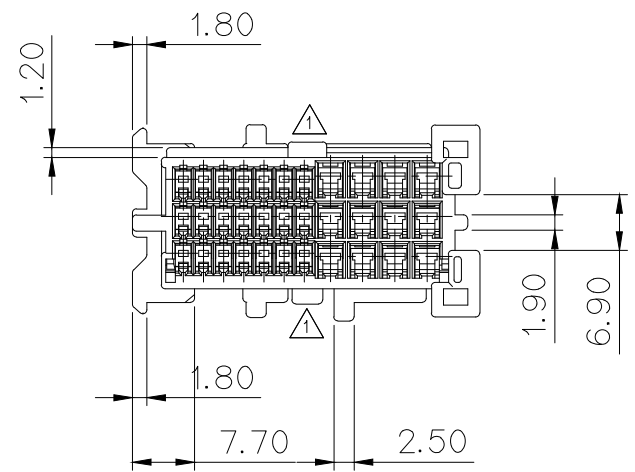
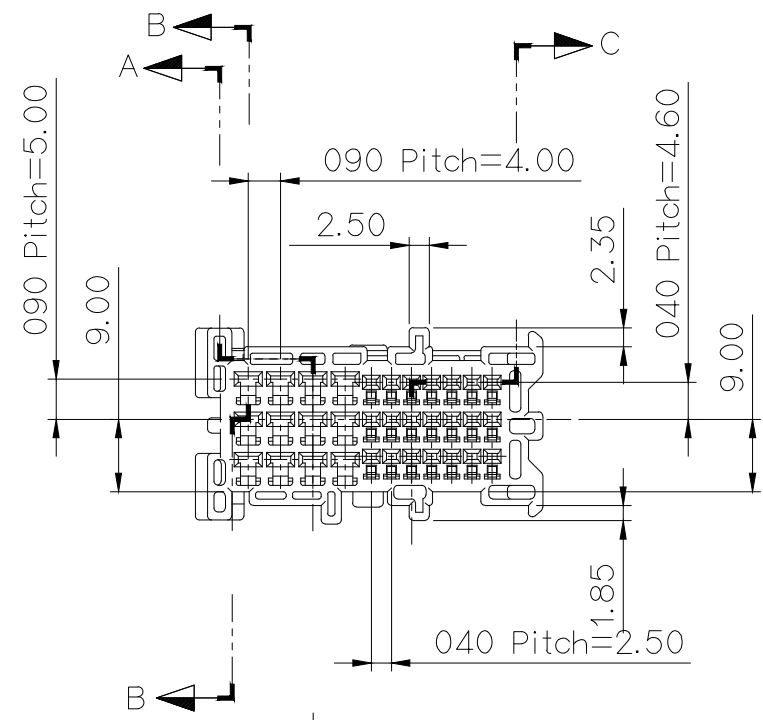


SECTION B-B

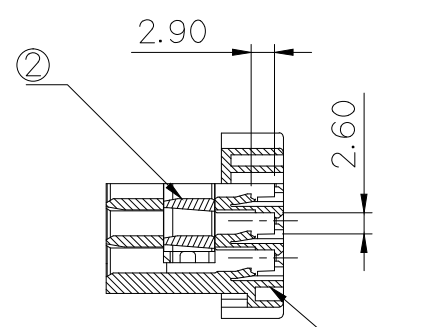


NOTE

- MUST BE FREE OF FLASH, WELDLINE AND IMPERFECTION THAT AFFECT FUNCTION.
- APPLICABLE TERMINAL(090) : ST730775,776,777, 1102
APPLICABLE TERMINAL(040) : ST730770, 960, 1007
APPLICABLE HOUSING : MG643396
APPLICABLE LEVER: MG633182
- △ 3. 6 HAZARDOUS SUBSTANCES IN PARTS (LEAD, MERCURY, CADMIUM, HEXAVALENT CHROMIUM, PBBs, PBDEs) SHALL NOT EXCEED THE MAXIMUM PERMISSIBLE CONCENTRATION PRESCRIBED UNDER EU ELV DIRECTIVE & RoHS REGULATION.



SECTION A-A



SECTION C-C

주 기

- 기능상 유해한 FLASH 및 WELDLINE 등이 없을 것.
- 적용 TERMINAL(090): ST730775,776,777, 1102
적용 TERMINAL(040): ST730770, 960, 1007
적용 HOUSING: MG643396
적용 LEVER: MG633182
- △ 3. 제품내 함유된 6대 유해물질 (납,수은,카드뮴,6가크롬, PBBs, PBDEs)은 EU ELV 지침 및 RoHS 법규에서 지정한 최대 허용 농도를 초과해서는 안된다.

APPROVED
2018-12-11
KOREA ELECTRIC
TERMINAL CO., LTD.
Korea Electric Terminal Co., LTD.

ISSUE MARK

		MATERIAL	SEE TABLE			KOREA ELECTRIC TERMINAL CO., LTD.	
		FINISH	SEE TABLE				
		WIRE RANGE				CLASS	ASC + 040III
		INSULATION				TYPE	
LTR	REVISION RECORD	DR.	CHK.	APP.	DATE	TOLERANCE EXCEPT AS NOTED	SCALE 1/1
DR.	KDJ. 2004.12.20	CHK.				PART NO.	MG653559
CHK.	KKJ	APP.	KCH			PART NAME	LIF 33P FEMALE ASSEMBLY (C TYPE)