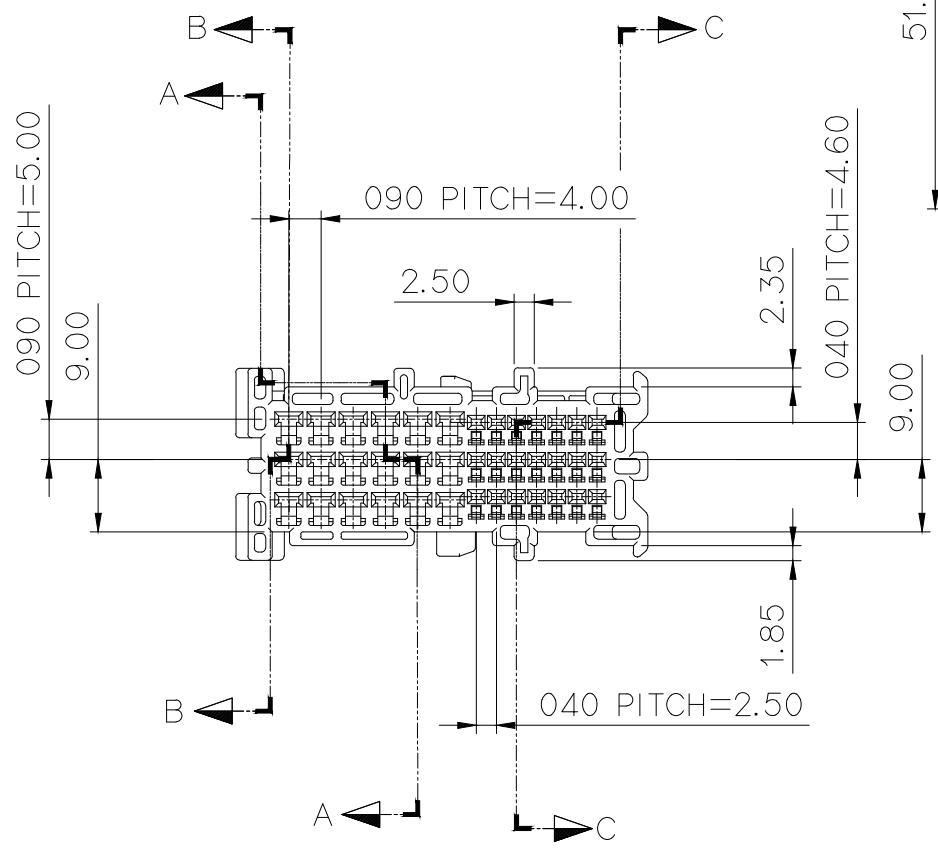
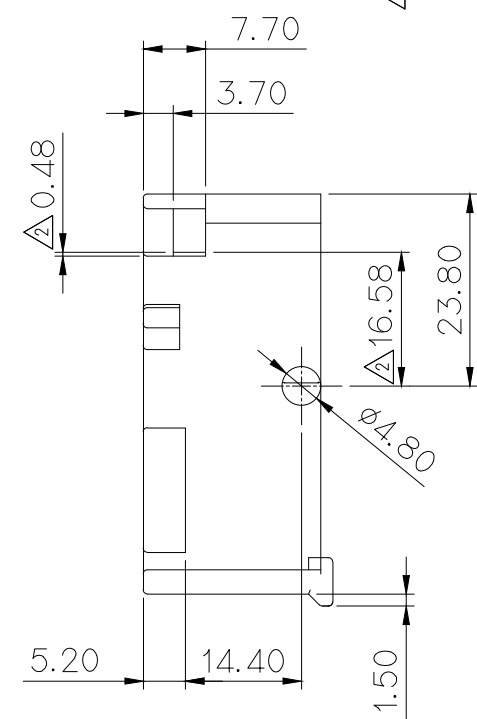
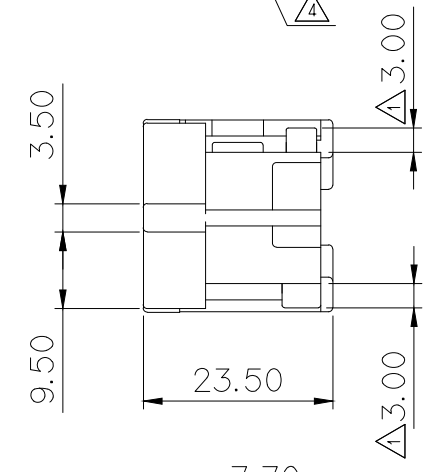
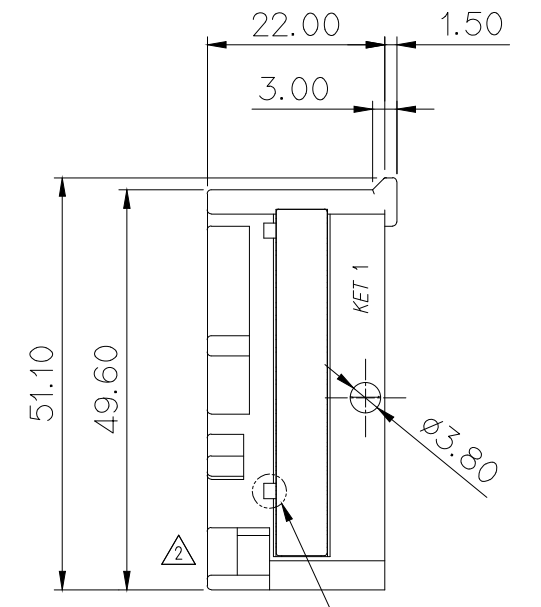
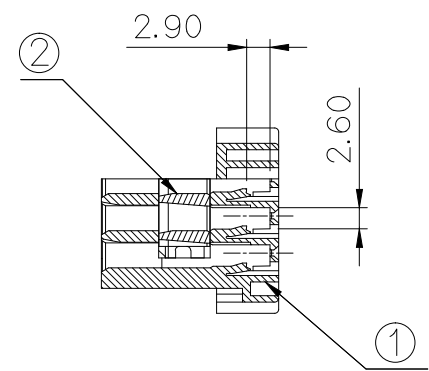


SECTION B-B



SECTION C-C



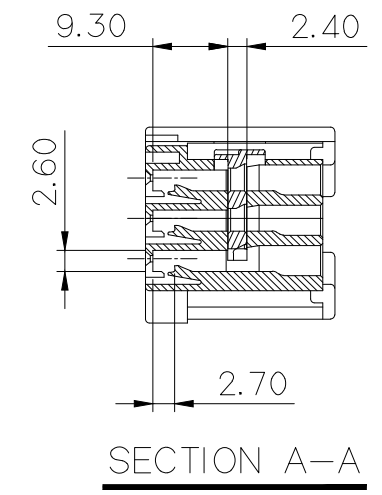
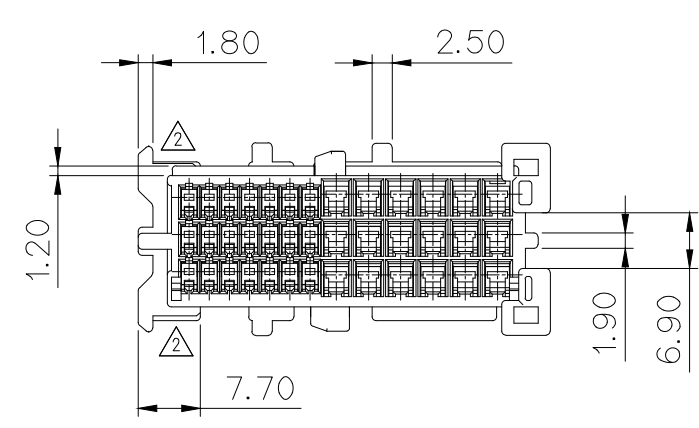
NO.	PART NO.	PART NAME	MATERIAL	FINISH
1	MG673566	LIF 39F HOUSING (D TYPE)	PBT	SEE TABLE
2	MG673172	LIF 39F SPACER		RED

GENERAL TOLERANCE (HOUSING)							USED ON
10MAX	50MAX	100MAX	250MAX	250VR	ANGLE	ECCENT	
±0.2	±0.3	±0.55	±0.95	±1.4	±30'	0.1	

NO.	MATERIAL	COLOR
* 0	P B T	NATURAL
1		RED
* 2		BLUE
3		YELLOW
40		DARK GRAY
41		LIGHT GRAY
5		BLACK
6		DARK GREEN
7		BROWN
8		LIGHT GREEN
9		MAGENTA
11	ORANGE	

주 기

- 기능상 유해한 BURR 및 WELDLINE 등이 없을 것.
- 적용 TERMINAL(090): ST730775-3, ST730776-3, ST730777-3
적용 TERMINAL(040): ST730770-3, ST730960-3
적용 HOUSING: MG643392
적용 LEVER: MG633567
- SPACER는 1차 조립 상태를 유지 할 것.
- 제품내 함유된 6대 유해물질 (납, 수은, 카드뮴, 6가크롬, PBBs, PBDEs)은 EU ELV 지침 및 RoHS 법규에서 지정한 최대 허용 농도를 초과해서는 안된다.



SECTION A-A

NOTE

- MUST BE FREE OF BURR, WELDLINE AND IMPERFECTION THAT AFFECT FUNCTION.
- APPLICABLE TERMINAL(090) : ST730775-3, ST730776-3, ST730777-3
APPLICABLE TERMINAL(040) : ST730770-3, ST730960-3
APPLICABLE HOUSING: MG643392
APPLICABLE LEVER: MG633567
- FRONT HORDER IS SUPPORT WITH THE 1st LOCK CONDITION.
- HAZARDOUS SUBSTANCES IN PARTS (LEAD, MERCURY, CADMIUM, HEXAVALENT CHROMIUM, PBBs, PBDEs) SHALL NOT EXCEED THE MAXIMUM PERMISSIBLE CONCENTRATION PRESCRIBED UNDER EU ELV DIRECTIVE & RoHS REGULATION.

APPROVED

2021-01-07

KOREA ELECTRIC
TERMINAL CO., LTD.
Korea Electric Te
rminal Co., LTD.

ISSUE MARK

LTR	REVISION RECORD	DR.	CHK.	APP.	DATE	MATERIAL	SEE TABLE	SCALE	1/1	PART NO.	MG653565
DR.	KDJ.	2004.12.20	CHK.			FINISH	SEE TABLE				
CHK.	KKJ		APP.	KCH		WIRE RANGE				CLASS	ASC + 040III
						INSULATION				TYPE	
						PART NAME					
											LIF 39F HOUSING ASSY (D TYPE)

