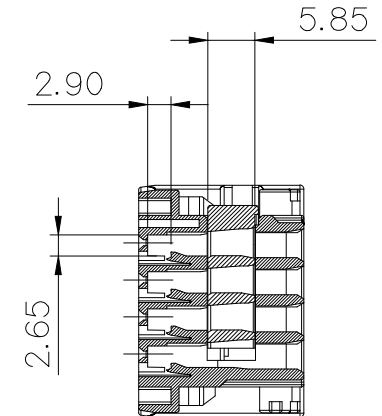
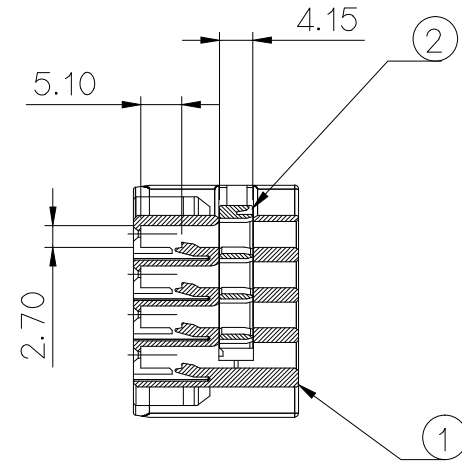
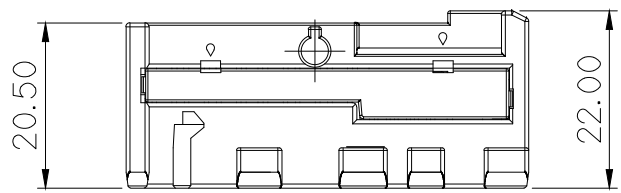


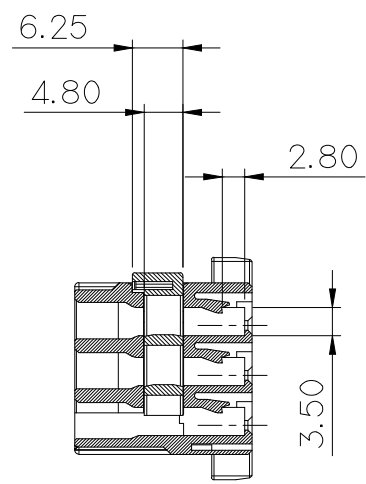
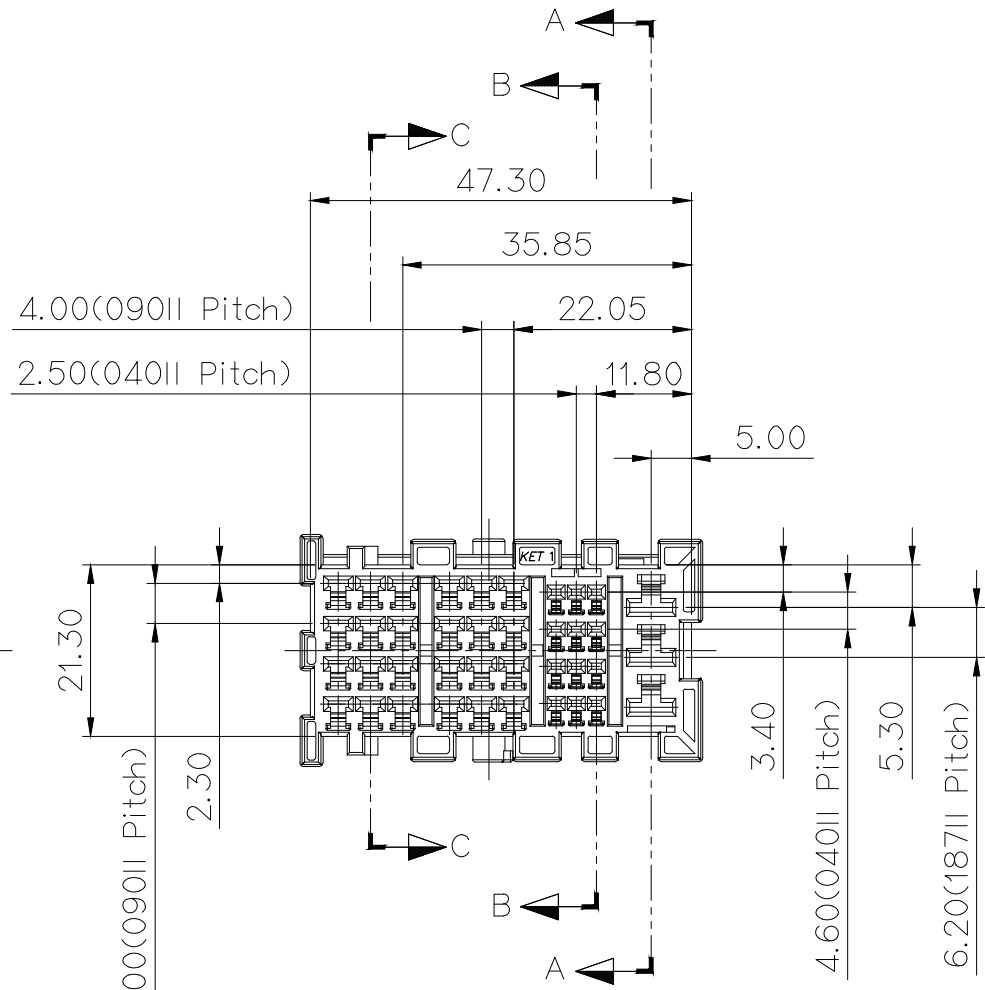
NO.	PART NO.	PART NAME	MATERIAL	FINISH
①	MG673926	LIF 39P FEMALE HOUSING (BOX TYPE)	PBT	NATURAL
②	MG673927	LIF 39P FEMALE SPACER (BOX TYPE)		RED

GENERAL TOLERANCE (HOUSING)							USED ON
10MAX	50MAX	100MAX	250MAX	250VR	ANGLE	ECCENT	
±0.2	±0.3	±0.55	±0.95	±1.4	±30'	0.1	

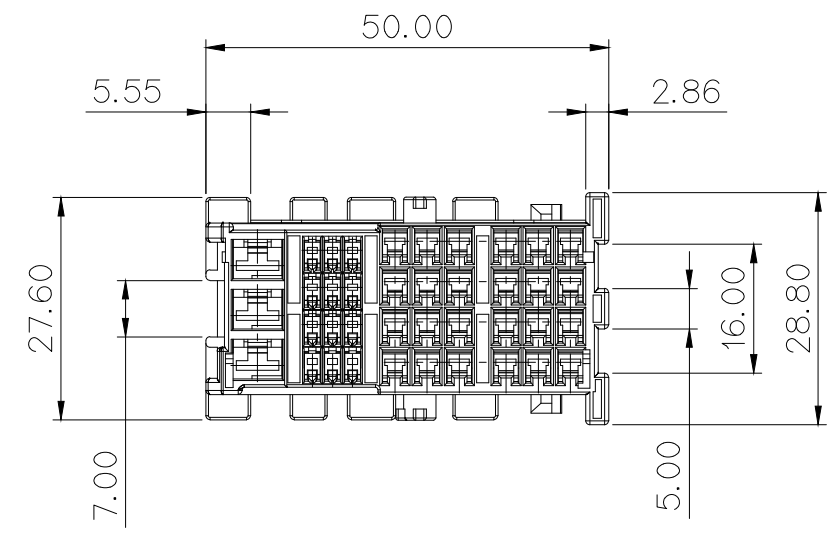
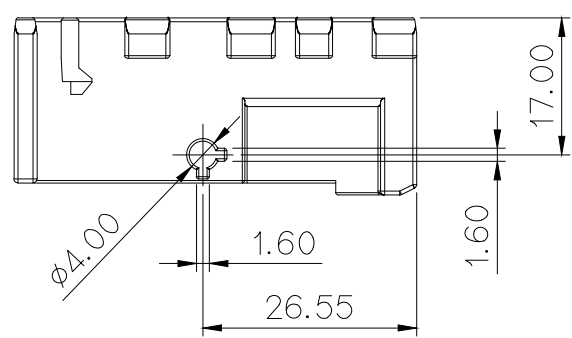


SECTION C-C
(090II)

SECTION B-B
(040III)



SECTION A-A
(187II)



주 기

- 기능상 유해한 BURR 및 WELDLINE 등이 없을것.
- 적용 TERMINAL(187II) : ST730644, 730645, 730646
적용 TERMINAL(090II) : ST730675, 730676, 730677
적용 TERMINAL(040III) : ST730770, 730960
- 적용 LEVER : MG633928
- 적용 상대 CONNECTOR : MG643929



ISSUE MARK

MATERIAL	SEE TABLE	KET KOREA ELECTRIC ENGINEERED TERMINAL CO., LTD.
FINISH	SEE TABLE	
WIRE RANGE		CLASS LIF
INSULATION		TYPE 040III+090II+187II
LTR	REVISION RECORD	DR. CHK. APP. DATE
		TOLERANCE EXCEPT AS NOTED
		SCALE 1/1
		PART NO. MG653930
		PART NAME LIF 39P FEMALE ASSY (BOX TYPE)