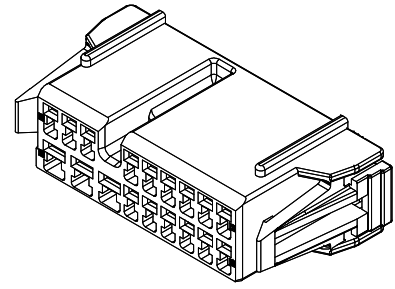
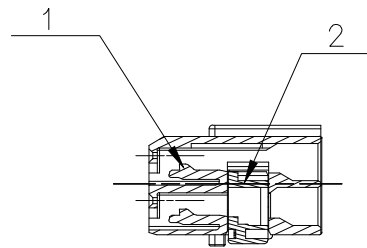
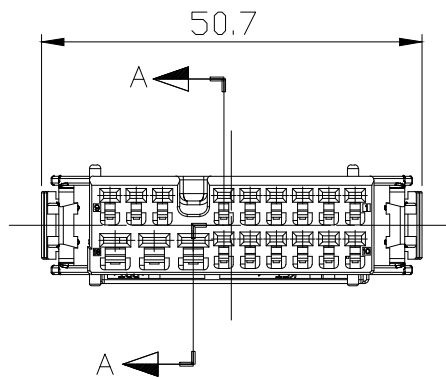


CUSTOMER DRAWING

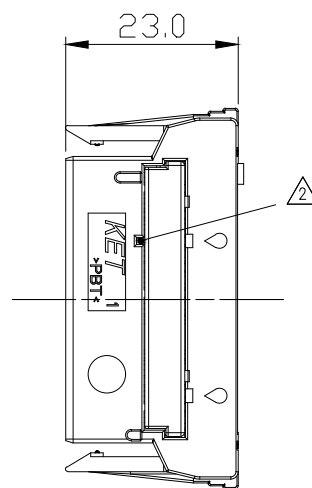
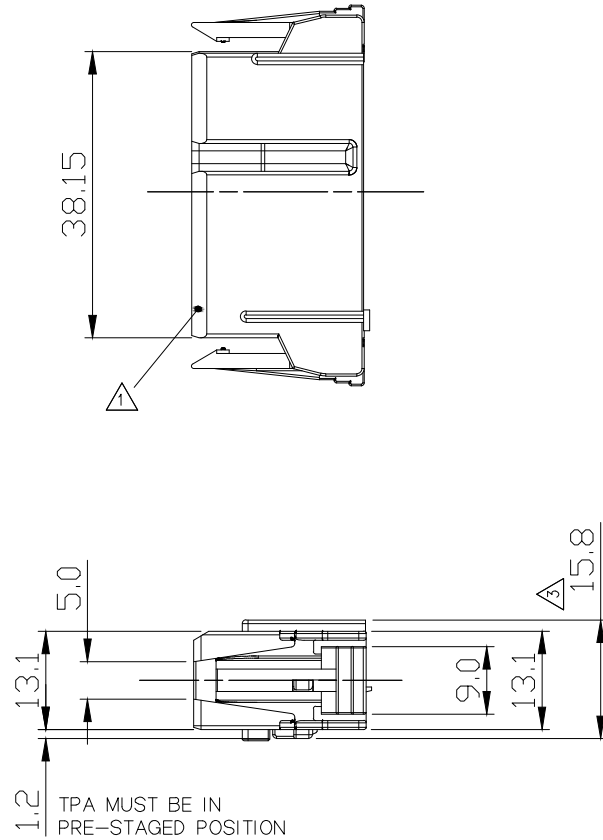
PART NO. MG653931



3D VIEW

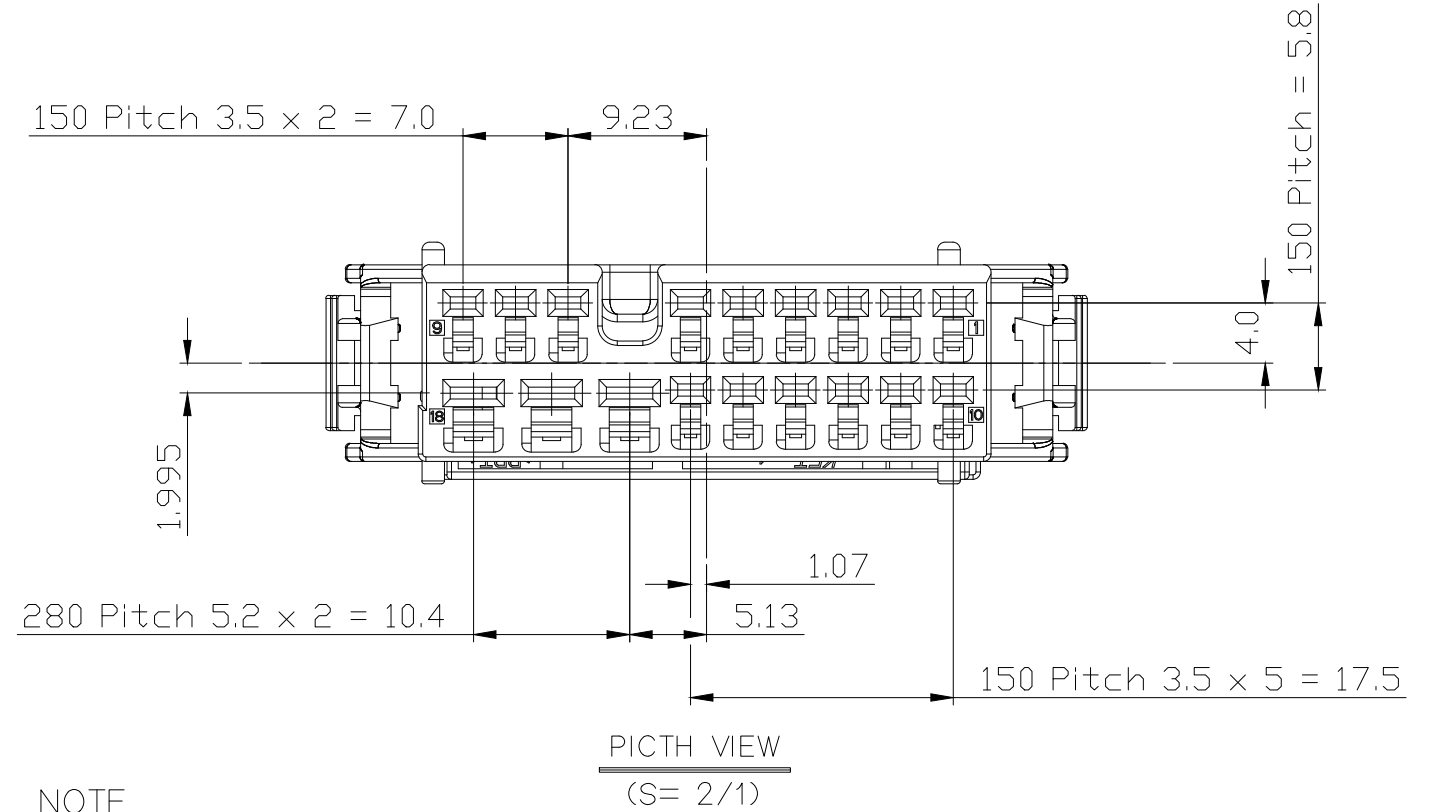


SECTION A-A



GENERAL TOLERANCE (HOUSING)							USED ON
10MAX	50MAX	100MAX	250MAX	250VR	ANGLE	ECCENT	
±0.2	±0.3	±0.55	±0.95	±1.4	±30'	0.1	

NO.	PART NAME	PART NO.	MATERIAL	COLOR	QTY.	REMARKS
1	REAR DOOR 18F HOUSING	MG673945	PBT	DARK GRAY	1	
2	REAR DOOR 18F TPA	MG673946	PBT	NATURAL	1	



PICTH VIEW
(S= 2/1)

NOTE

- MUST BE FREE OF BURR, WELDLINE AND IMPERFECTION THAT AFFECT FUNCTION.
- MATING MALE CONNECTOR ASSEMBLY : MG643932
APPLICABLE TERMINAL : GT 150 12191811~2 (DELPHI)
GT 280 15304710~3 (DELPHI)
- 6 HAZARDOUS SUBSTANCES IN PARTS (LEAD MERCURY,CADMIUM,HEXAVALENT CHROMIUM, PPBs,PPDEs) SHALL NOT EXCEED THE MAXIMUM PERMISSIBLE CONCENTRATION PRESCRIBED UNDER EU ELV DIRECTIVE & RoHS REGULATION.



DIMENSIONS IN MM

△3	설계사양변경(R0-3S10093)큰거 수정	KJS	---	24.AUG.'10	MATERIAL	SEE TABLE	KET KOREA ELECTRIC ENGINEERED TERMINAL CO., LTD.			
△2	설계사양변경(R0-3S10053)큰거 수정	KJS	---	25.JUN.'10	FINISH	SEE TABLE				
△1	REVISED	KJS	---	25.JAN.'10	WIRE RANGE	---	CLASS	DOOR		
△0	RELEASED	KJS	---	07.DEC.'09	INSULATION	---	TYPE	150, 280		
LTR	REVISION RECORD	DR.	CHK.	APP.	DATE	TOLERANCE EXCEPT AS NOTED	SCALE	1/1	PART NO.	MG653931
DR.	KANG, J.S	07.DEC.'09	CHK.	---	---	SEE TABLE	PART NAME			
CHK.	W.SIDH...	07.DEC.'09	APP.	W.SIDH...	07.DEC.'09	REAR DOOR 18F CONNECTOR ASSEMBLY				