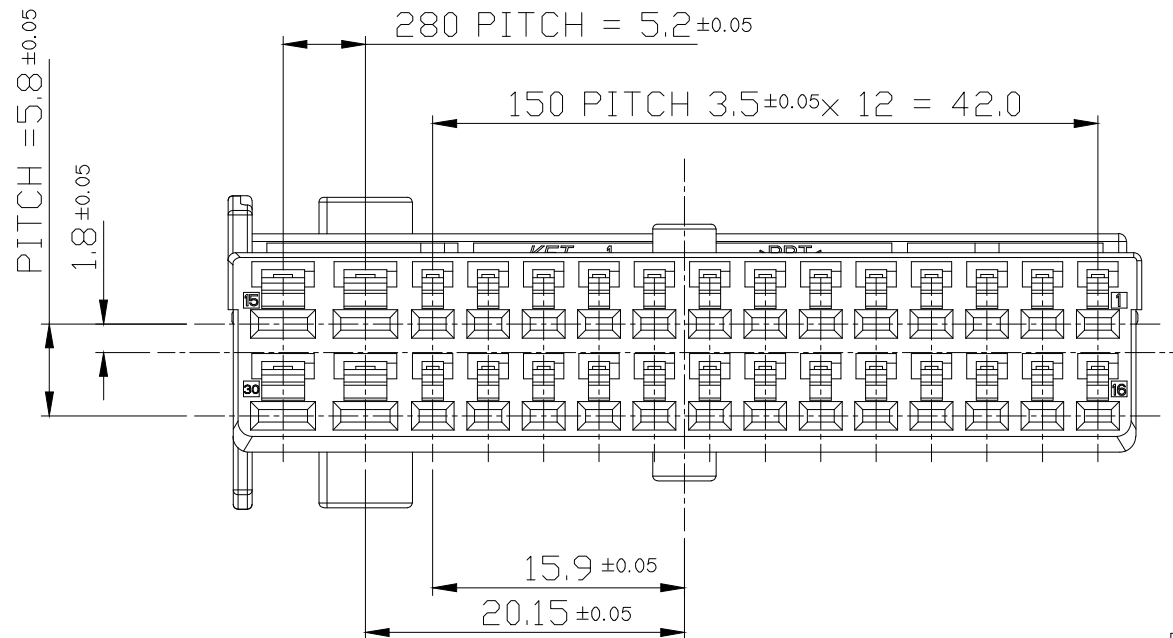
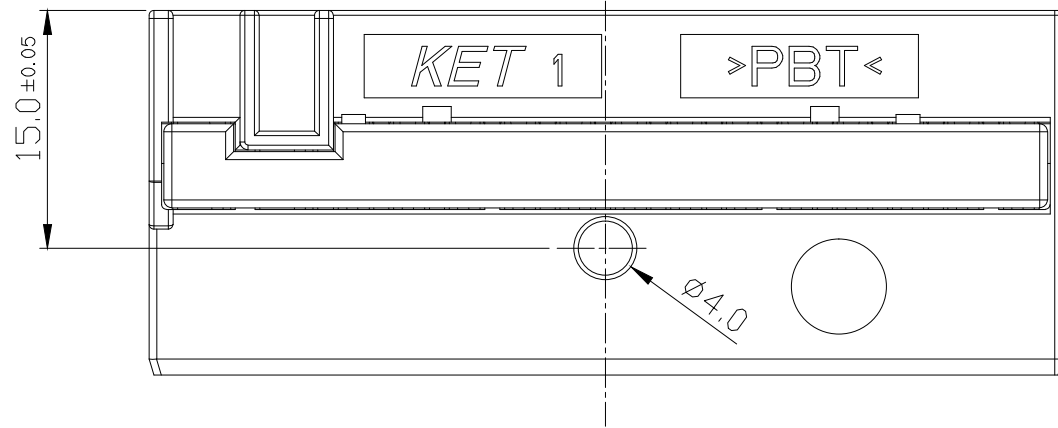
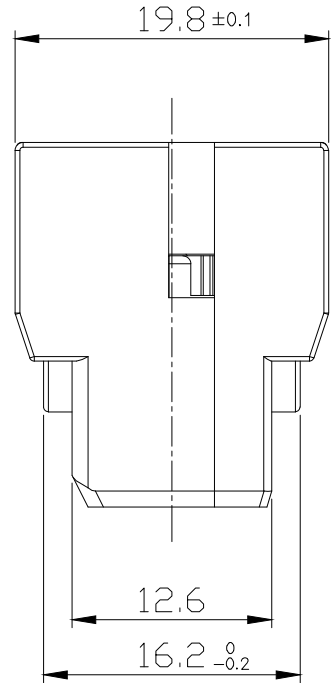
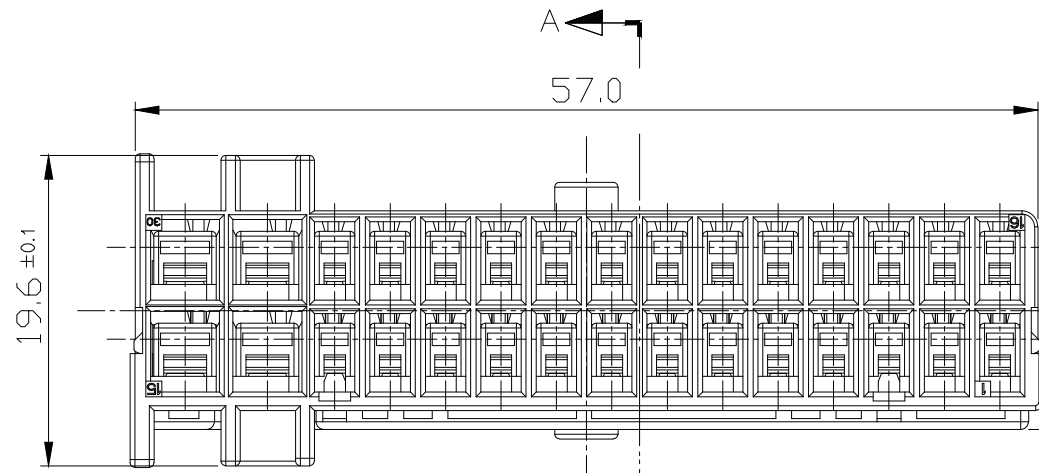


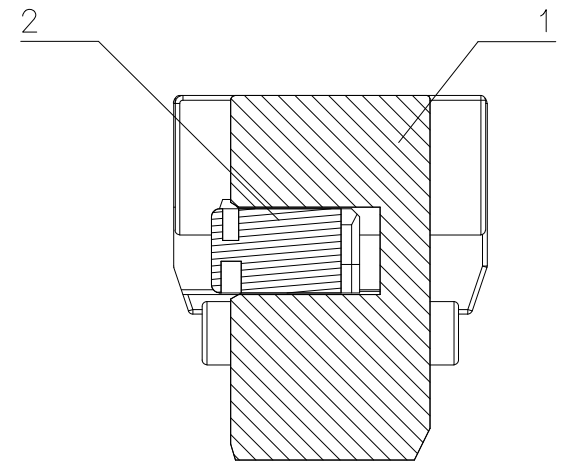
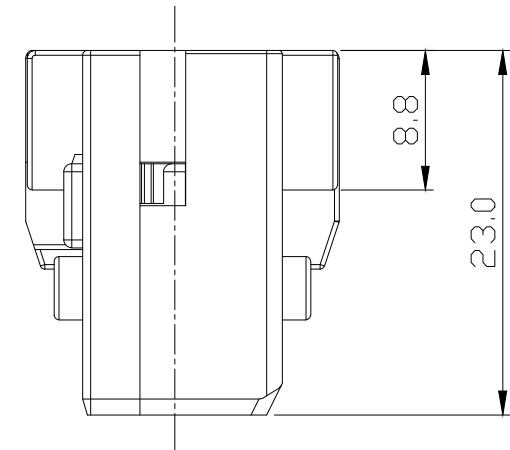
3D VIEW
(S= 1/1)



GENERAL TOLERANCE (HOUSING)								USED ON
	10 MAX	50 MAX	100 MAX	250 MAX	250 VR	ANGLE	ECCENT	
Ⓐ	±0.15	±0.2	±0.3	±0.5	±0.75	±30'	0.1	
B	±0.2	±0.3	±0.55	±0.95	±1.4	±30'	0.1	
C	±0.3	±0.5	±0.8	±1.4	±2.0	±30'	0.15	

NO.	PART NAME	PART NO.	MATERIAL	COLOR	QTY.	REMARKS
1	FRONT DOOR 30F HOUSING	MG673949	PBT	DARK GRAY	1	
2	DOOR 30F TPA	MG673950	PBT	NATURAL	1	

TPA MUST BE IN PRE-STAGED POSITION



SECTION A-A

NOTE

- MUST BE FREE OF BURR, WELDLINE AND IMPERFECTION THAT AFFECT FUNCTION.
- MATING MALE CONNECTOR ASSEMBLY : MG643934
APPLICABLE TERMINAL : GT 150 12191811~2 (DELPHI)
GT 280 15304710~3 (DELPHI)
- 6 HAZARDOUS SUBSTANCES IN PARTS (LEAD MERCURY,CADMIUM,HEXAVALENT CHROMIUM, PPBs,PPDEs) SHALL NOT EXCEED THE MAXIMUM PERMISSIBLE CONCENTRATION PRESCRIBED UNDER EU ELV DIRECTIVE & RoHS REGULATION.

APPROVED

2016-03-10

**KOREA ELECTRIC
TERMINAL CO., LTD.
Product Development Team 3**

ISSUE MARK

					MATERIAL	SEE TABLE		KOREA ELECTRIC TERMINAL CO., LTD.		
					FINISH	SEE TABLE				
					WIRE RANGE	— / —			CLASS	DOOR
					INSULATION	— / —			TYPE	150, 280
LTR	REVISION RECORD	DR.	CHK.	APP.	DATE	TOLERANCE EXCEPT AS NOTED	SCALE	PART NO.		
						SEE TABLE	2/1	MG653933		
DR.										
CHK.										
							PART NAME			
							FRONT DOOR HYBRID 30F ASSY			