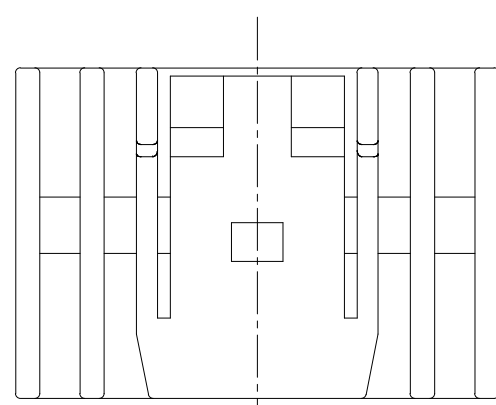
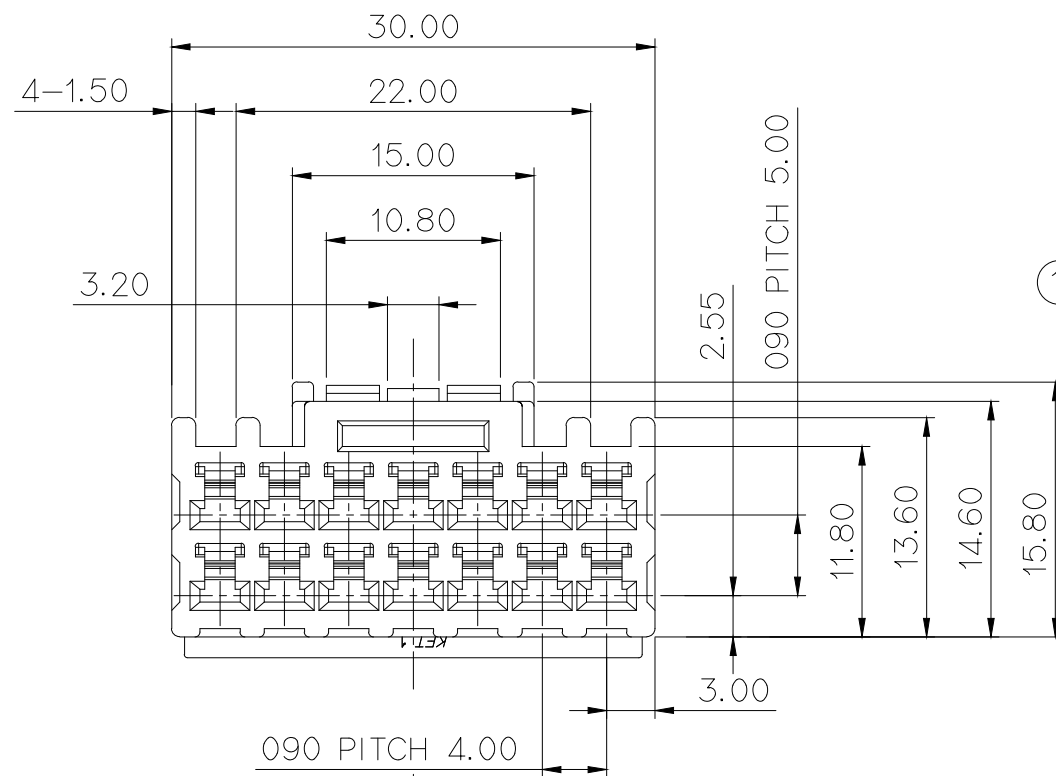
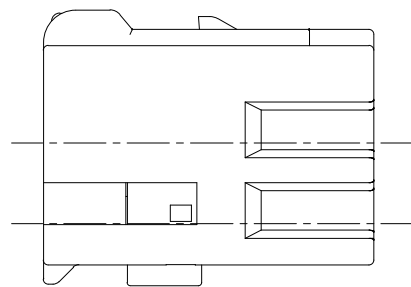


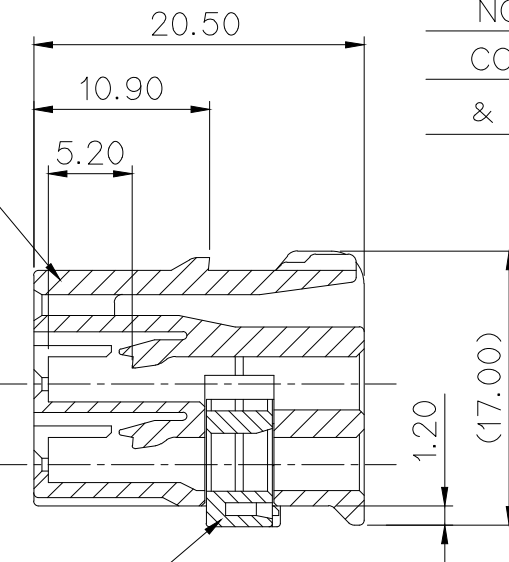
ISO VIEW



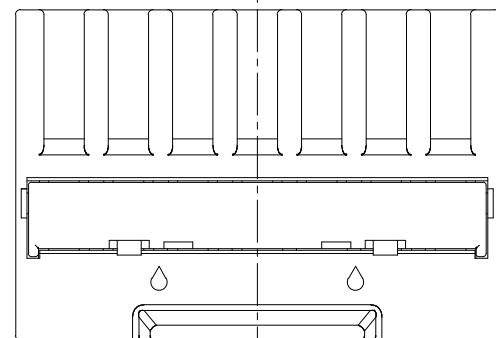
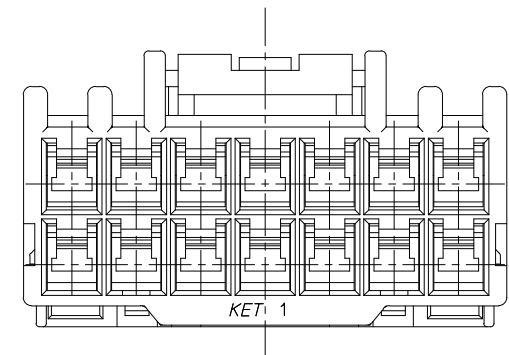
A



①



SECTION A-A



GENERAL TOLERANCE (HOUSING)							USED ON
10MAX	50MAX	100MAX	250MAX	250VR	ANGLE	ECCENT	
±0.2	±0.3	±0.55	±0.95	±1.4	±30'	0.1	

주 기

- 기능상 유해한 BURR 및 WELDLINE 등이 없을것.
- 적용 TERMINAL : ST731046, 1047, 0677-3
- 제품내 함유된 6대 유해물질 (납,수은,카드뮴,6가크롬, PBBs,PBDEs)은 EU ELV 지침 및 RoHS 법규에서 지정한 최대 허용 농도를 초과해서는 안된다.

NOTE

- MUST BE FREE OF BURR, WELDLINE AND IMPERFECTION THAT AFFECT FUNCTION.
- APPLICABLE TERMINAL : ST731046, 1047, 0677-3
- 6 HAZARDOUS SUBSTANCES IN PARTS (LEAD, MERCURY, CADMIUM, HEXAVALENT CHROMIUM, PBBs, PBDEs) SHALL NOT EXCEED THE MAXIMUM PERMISSIBLE CONCENTRATION PRESCRIBED UNDER EU ELV DIRECTIVE & RoHS REGULATION.

NO.	PART NAME	PART NO.	MATERIAL	COLOR	QTY.
1	N090III 14F HOUSING (DEVICE 용)	MG674093	PBT	NATURAL	1
2	N090III 14F SPACER (DEVICE 용)	MG674094	PBT	YELLOW	1

APPROVED

2018-12-11

KOREA ELECTRIC  
TERMINAL CO., LTD.  
Product Development Team 1

ISSUE MARK

MATERIAL	SEE TABLE		KOREA ELECTRIC					
FINISH	SEE TABLE		TERMINAL CO., LTD.					
WIRE RANGE		CLASS	090					
INSULATION		TYPE	N090III					
LTR	REVISION RECORD	DR.	CHK.	APP.	DATE	TOLERANCE EXCEPT AS NOTED	SCALE	PART NO.
DR.	SHIN.S.H. 2007.11.05	CHK.	H.K.S		11/05	SEE TABLE	2/1	MG654021
CHK.	J.Y.S 11/05	APP.			11/05	PART NAME	N090III 14F ASSY (DEVICE 용)	