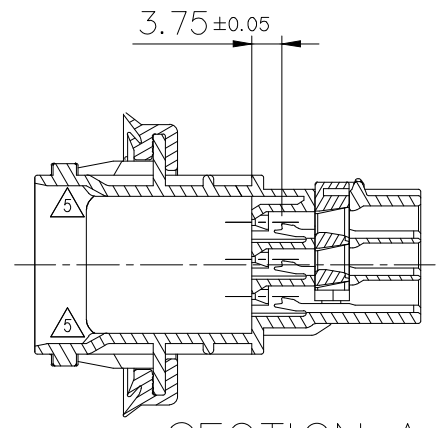
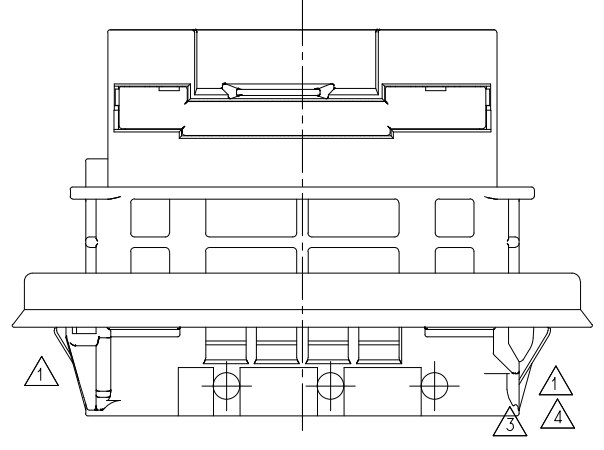
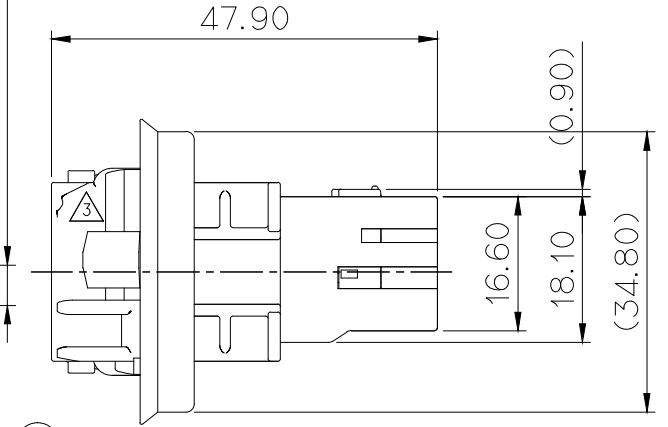
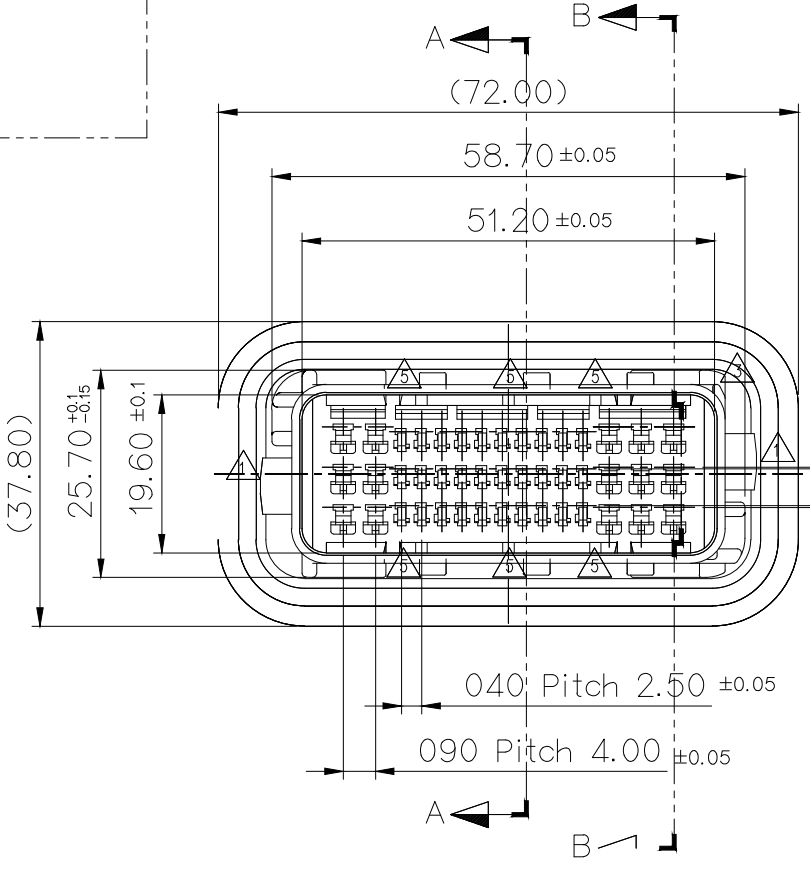
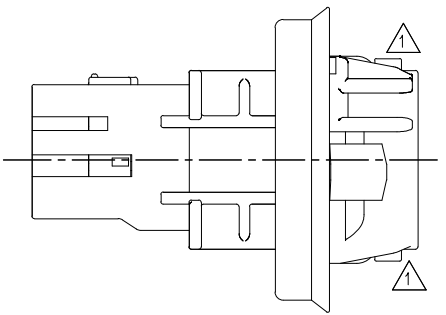


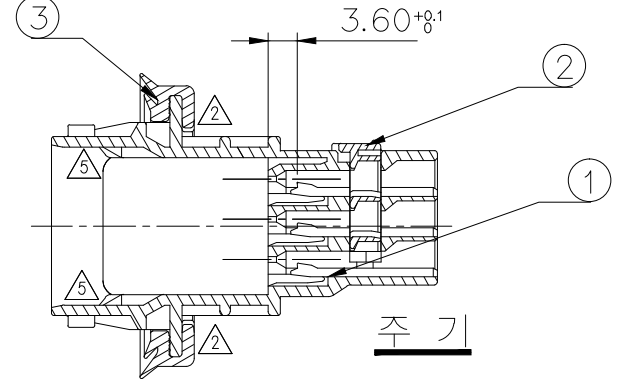
ISO VIEW



SECTION A-A (040)



SECTION B-B (090)



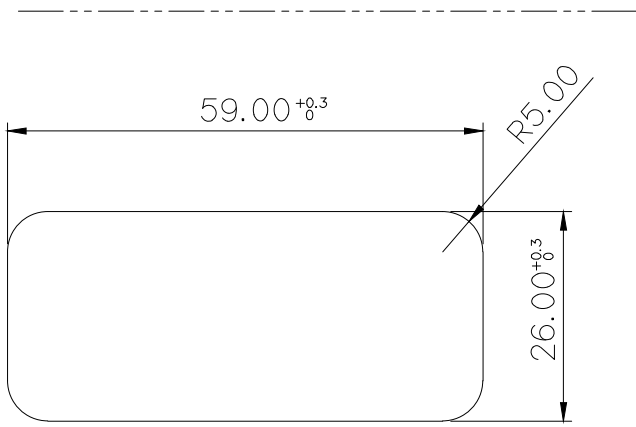
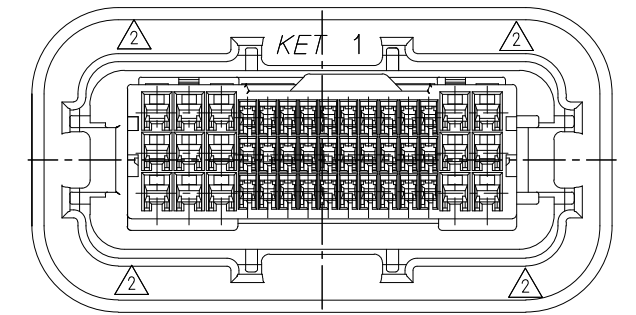
주 기

- 적용 TERMINAL: ST741101, 0672, 0673, 0674-3 (090)
ST741015, 0959, 0771-3 (040)
 - 적용 CONNECTOR : MG644390
 - 적용 REAR COVER : MG634392
3. 제품내 함유된 6대 유해물질 (납,수은,카드뮴,6가크롬, PBBs, PBDEs)은 EU ELV 지침 및 RoHS 법규에서 지정한 최대 허용 농도를 초과해서는 안된다.

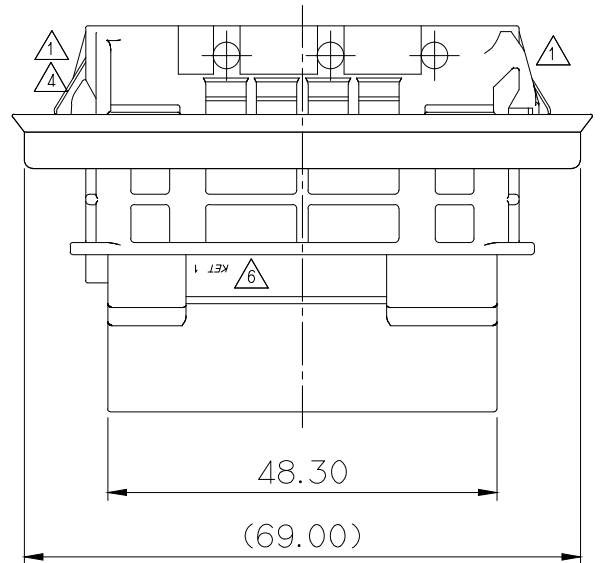
GENERAL TOLERANCE (HOUSING)							USED ON
10MAX	50MAX	100MAX	250MAX	250VR	ANGLE	ECCENT	
±0.2	±0.3	±0.55	±0.95	±1.4	±30'	0.1	

NOTE

- APPLICABLE TERMINAL : ST741101, 0672, 0673, 0674-3 (090)
ST741015, 0959, 0771-3 (040)
- APPLICABLE CONNECTOR : MG644390
- APPLICABLE REAR COVER : MG634392
- 6 HAZARDOUS SUBSTANCES IN PARTS (LEAD, MERCURY, CADMIUM, HEXAVALENT, CHROMIUM, PBBs, PBDEs) SHALL NOT EXCEED THE MAXIMUM PERMISSIBLE CONCENTRATION PRESCRIBED UNDER EU ELV DIRECTIVE & RoHS REGULATION.



적용 PANEL SIZE (T=0.7)



APPROVED
2018-12-11
KOREA ELECTRIC
TERMINAL CO., LTD.
Product Development Team 1

ISSUE MARK

NO.	PART NAME	PART NO.	MATERIAL	COLOR	QTY.
1	FRONT DOOR 45M HOUSING	MG674434	PBT	BLACK	1
2	FRONT DOOR 45M SPACER	MG674435	PBT	NATURAL	1
3	FRONT DOOR 45M GASKET SEAL	R602207	EPDM	BLACK	1

△	ECO-1209-008 근거 도면 제작성	YM.K	CSH	SHS	12.09.03
△	설계시양변경통보서(S100330)근거 도면 제작성 - RECEPT 강도 개선	SSH	JYS	wh	10.12.29
△	설계시양변경통보서(S100309)근거 도면 제작성 - Panel Lock 강도 개선	SSH	JYS	wh	10.12.01
△	설계시양변경통보서(S100215)근거 도면 제작성 - Panel 삽입성 개선	SSH	JYS	wh	10.08.23
△	설계시양변경통보서(S100190)근거 도면 제작성 - Gasket Seal 이탈 개선	SSH	JYS	wh	'10.07.24
△	설계시양변경통보서(S100112)근거 도면 제작성 - Panel 장착성 개선	SSH	JYS	wh	'10.05.12
LTR	REVISION RECORD	DR.	CHK.	APP.	DATE
	DR. SHIN.S.H '09.03.31	CHK.			
	CHK.		APP.		

MATERIAL	SEE TABLE		KOREA ELECTRIC TERMINAL CO., LTD.
FINISH	SEE TABLE		
WIRE RANGE		CLASS	
INSULATION		TYPE	
SCALE	1/1	PART NO.	MG654391
PART NAME	FRONT DOOR 45M ASSY		