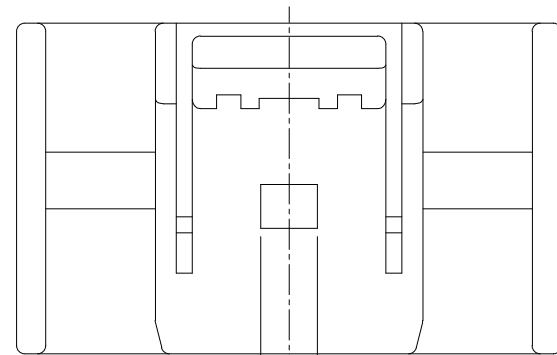


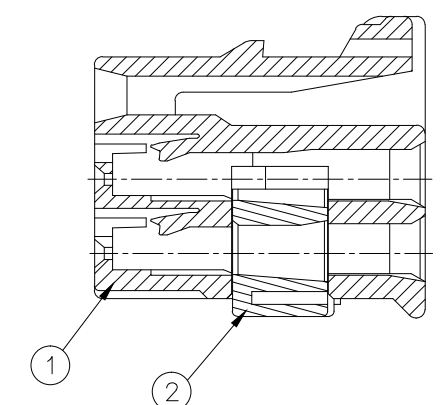
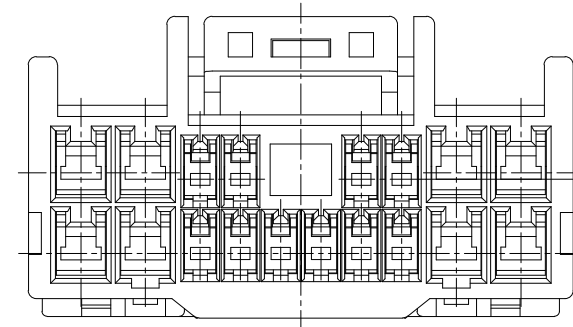
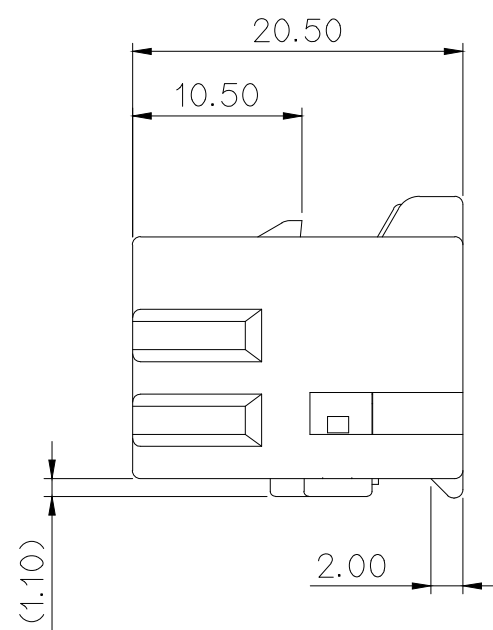
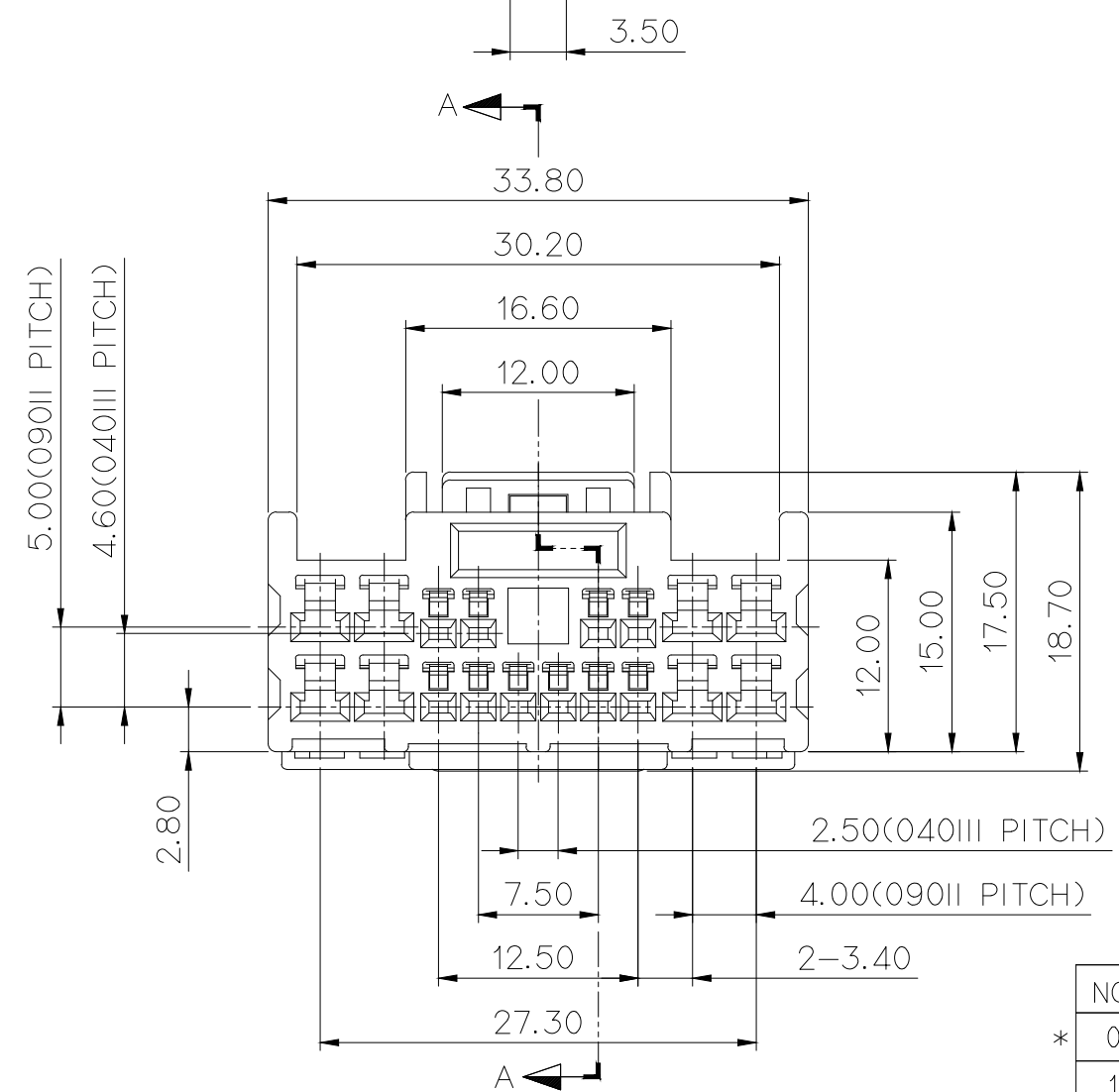
GENERAL TOLERANCE (HOUSING)							USED ON
10MAX	50MAX	100MAX	250MAX	250VR	ANGLE	ECCENT	
±0.2	±0.3	±0.55	±0.95	±1.4	±30'	0.1	



NO.	PART NO.	PART NAME	MATERIAL	COLOR
①	MG674427	0409 18F HOUSING	PBT	SEE TABLE
②	MG674428	0409 18F SPACER	PBT	YELLOW

**NOTE**

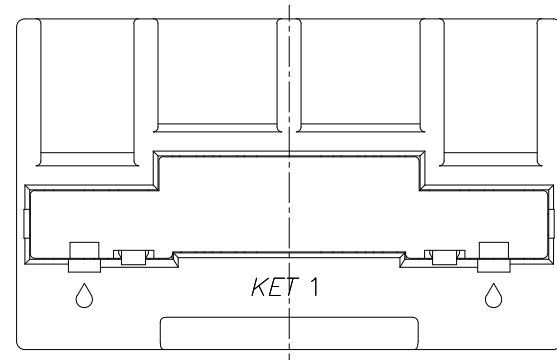
- MUST BE FREE OF BURR, WELDLINE AND IMPERFECTION THAT AFFECT FUNCTION.
- APPLICABLE HOUSING : MG644426
- APPLICABLE TERMINAL (040III) : ST730770, 730960, 731007  
APPLICABLE TERMINAL (090II) : ST730675, 730676, 730677, 731100
- THE MOLD DRAWING IN THE SAME WAY, SPACER IS NORMAL CONDITION MAINTENANCE AND SUPPLY WITH FIRST LOCKING.
- 6 HAZARDOUS SUBSTANCES IN PARTS (LEAD, MERCURY, CADMIUM, HEXAVALENT CHROMIUM, PPBs, PPDEs) SHALL NOT EXCEED THE MAXIMUM PERMISSIBLE CONCENTRATION PRESCRIBED UNDER EU ELV DIRECTIVE & RoHS REGULATION.



**주 기**

- 기능상 유해한 BURR 및 WELDLINE 등이 없을 것.
- 적용 HOUSING : MG644426
- 적용 TERMINAL (040III) : ST730770, 730960, 731007  
적용 TERMINAL (090II) : ST730675, 730676, 730677, 731100
- SPACER는 본 도면과 같이 1차 LOCK'G 상태로 유지, 공급할 것.
- 제품내 함유된 6대 유해물질 (납, 수은, 카드뮴, 6가크롬, PPBs, PBDEs)은 EU ELV 지침 및 RoHS 법규에서 지정한 최대 허용 농도를 초과해서는 안 된다.

NO.	MATERIAL	COLOR
* 0	P B T	NATURAL
1		RED
2		BLUE
20		JADE
3		YELLOW
4		GRAY
40		DARK GRAY
41		LIGHT GRAY
5		BLACK
6		DARK GREEN
7		BROWN
8		LIGHT GREEN
9		MAGENTA
11		ORANGE



**APPROVED**

2018-12-11

KOREA ELECTRIC  
TERMINAL CO., LTD.  
Product Development Team 1

ISSUE MARK

		MATERIAL		SEE TABLE		KOREA ELECTRIC TERMINAL CO., LTD.		
		FINISH		SEE TABLE				
		WIRE RANGE			CLASS	HYBRID		
		INSULATION			TYPE	.0409		
LTR	REVISION RECORD	DR.	CHK.	APP.	DATE	TOLERANCE EXCEPT AS NOTED	SCALE	PART NO.
	YSW '08.11.11					SEE TABLE	2/1	MG654429
CHK.			APP.			PART NAME	0409 18F HOUSING ASSY	