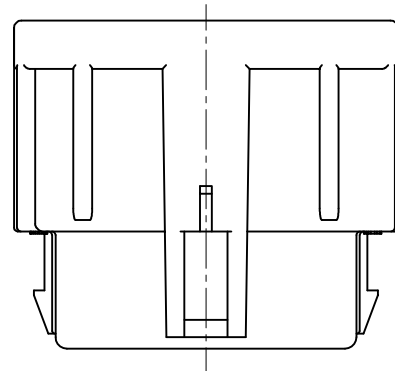
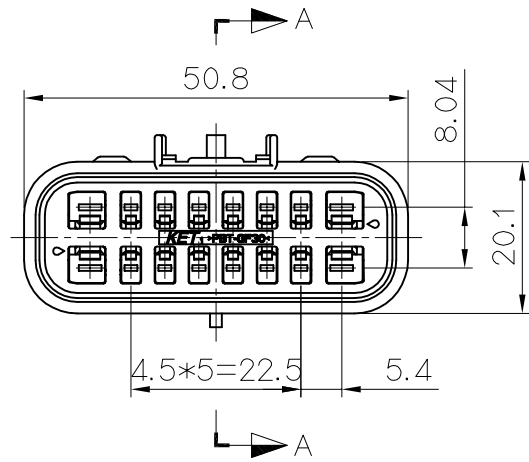
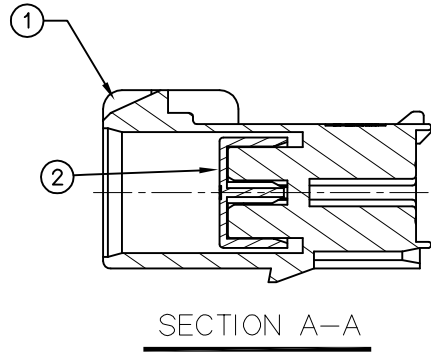
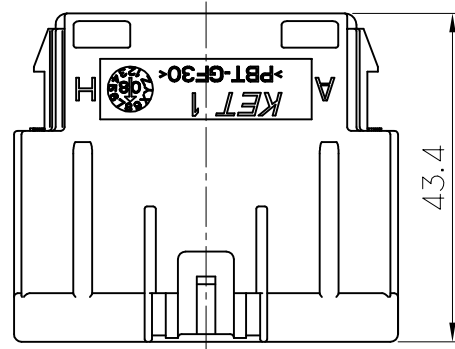
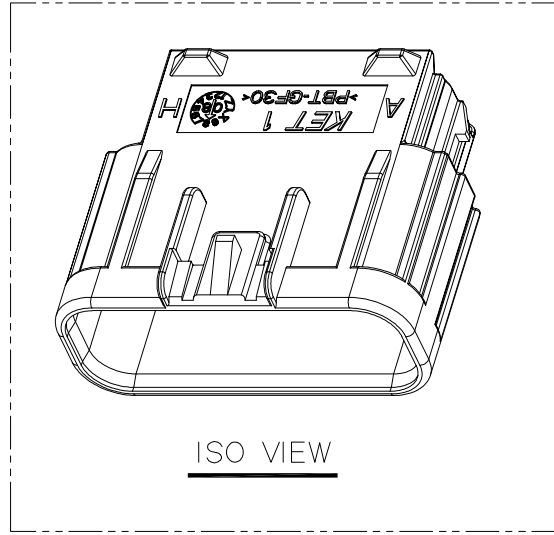


PART NO. MG654442

CUSTOMER DRAWING



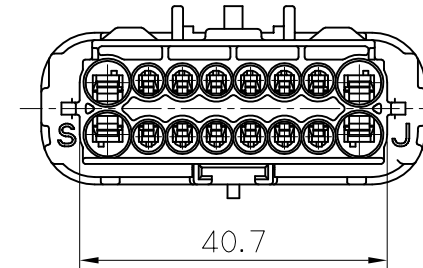
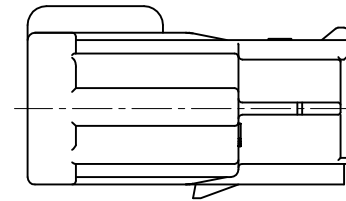
GENERAL TOLERANCE (HOUSING)							USED ON
10 MAX	50 MAX	100 MAX	250 MAX	250 VR	ANGLE	ECCENT	
±0.2	±0.3	±0.55	±0.95	±1.4	±30'	0.1	

주 기

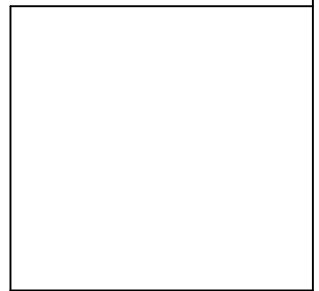
- 기능상 유해한 BURR 및 WELDLINE등이 없을것.
- 적용 TERMINAL : DELTHI 15326268/15326269, 15304730/15304732
적용 FEMALE HOUSING : MG645099
적용 REAR HOLDER : MG634601
- 제품내 함유된 6대 유해물질 (납, 수은, 카드뮴, 6가크롬, PBBs, PBDEs)은 EU ELV 지침 및 RoHS 법규에서 지정한 최대 허용 농도를 농도를 초과해서는 안된다.

NOTE

- MUST BE FREE OF FLASH, SINK AND IMPERFECTION THAT AFFECT FUNCTION.
- APPLICABLE TERMINAL : DELTHI 15326268/15326269, 15304730/15304732
APPLICABLE FEMALE HOUSING : MG645099
APPLICABLE REAR HOLDER : MG634601
- 6 HAZARDOUS SUBSTANCES IN PARTS (LEAD, MERCURY, CADMIUM, HAXAVALENT CHROMIUM, PBBs, PBDEs) SHALL NOT EXCEED THE MAXIMUM PERMISSIBLE CONCENTRATION PRESCIEBED UNDER EU ELV DIRECTIVE&RoHS REGULATION



NO.	PART NO.	PART NAME	MATERIAL	COLOR	QTY.
①	MG674599	150280 WP 16M HS'G	PBT+GF30	BLACK	1
②	MG674600	150280 WP 16M TPA	PBT+GF30	NATURAL	1



ISSUE MARK

					MATERIAL	SEE TABLE	KET KOREA ELECTRIC TERMINAL CO., LTD.	
					FINISH	SEE TABLE		
					WIRE RANGE	— / —		CLASS 150280
					INSULATION	— / —		TYPE
LTR	REVISION RECORD	DR.	CHK.	APP.	DATE	TOLERANCE EXCEPT AS NOTED	SCALE 1/1	PART NO. MG654442
DR.	JES. 11.07.04	CHK.				SEE TABLE		
CHK.	11.07.04	APP.			7/4	PART NAME		150280 WP 16M ASSY

DIMENSIONS IN MM)