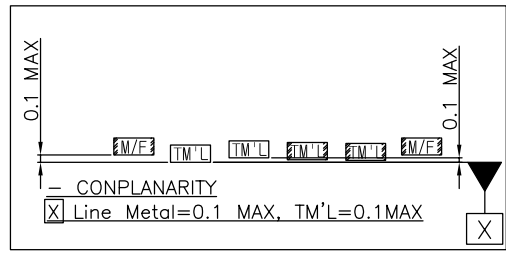


- NOTE -
1. TOLERANCE: ±0.2, ANGLE ±3°
 2. CONPLANARITY: 0.1 MAX
 3. PART CODE
MG 6 5 4 5 0 5
PART NO.
PLUG ASS'Y
 4. "6 hazardous substances in parts (Lead, Mercury, Cadmium, Hexavalent Chromium, PBBs, PBDEs) shall not exceed the maximum permissible concentration prescribed under EU ELV Directive & RoHS Regulation."
 5. No Twist
 6. Spec : ES91500-03
 7. Solder : Reflow Solder Only(Surface mount)



DIE NO	ISSUE MARK

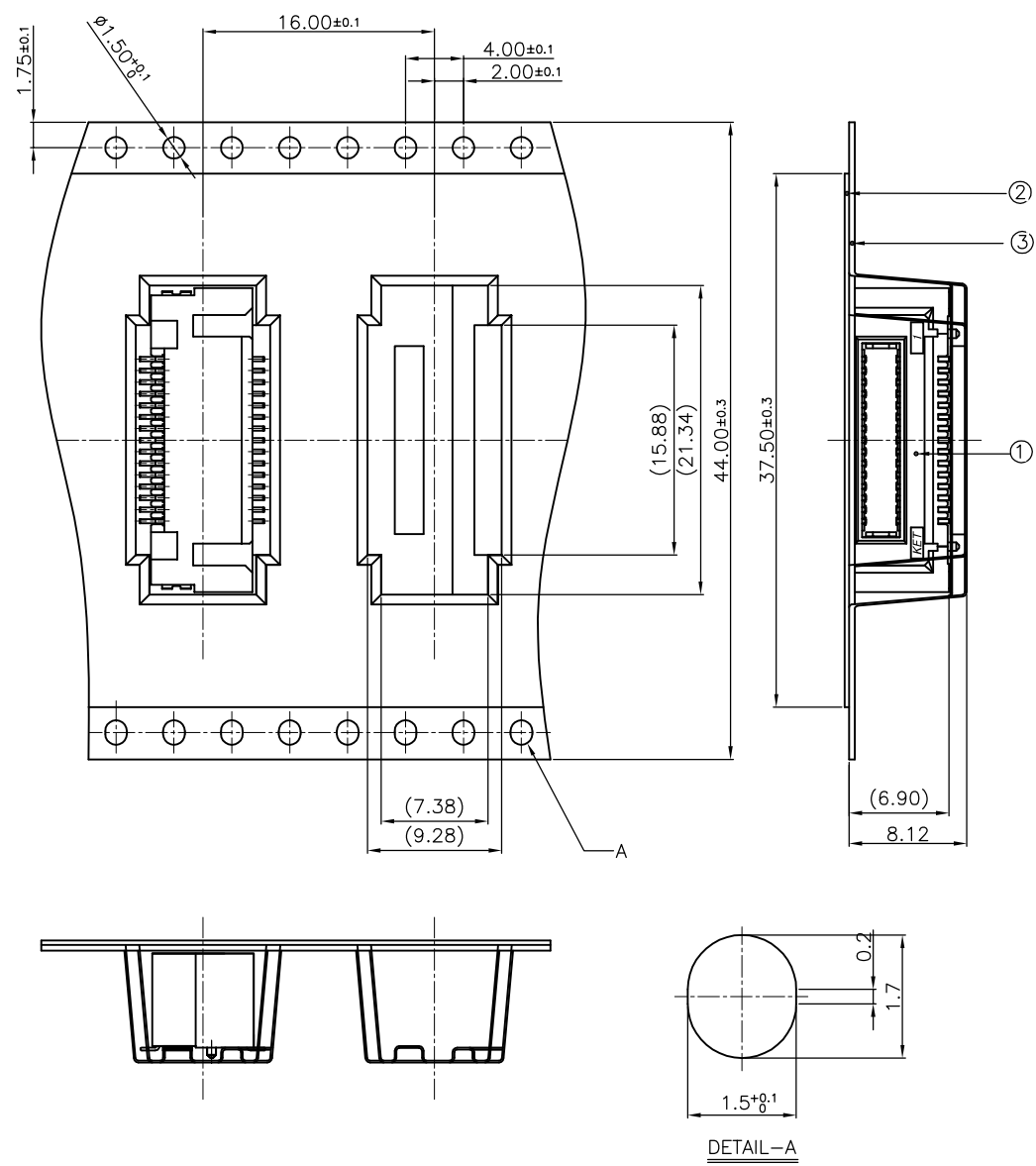


PIN NO.	A
30	11.2
40	15.2
50	19.2
60	23.2
70	27.2
80	31.2
90	35.2
100	39.2
110	43.2
120	47.2

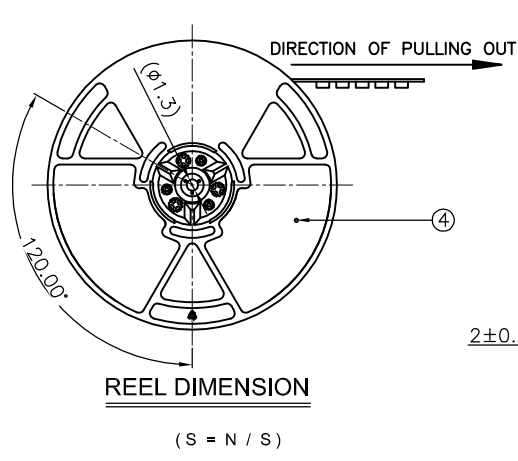
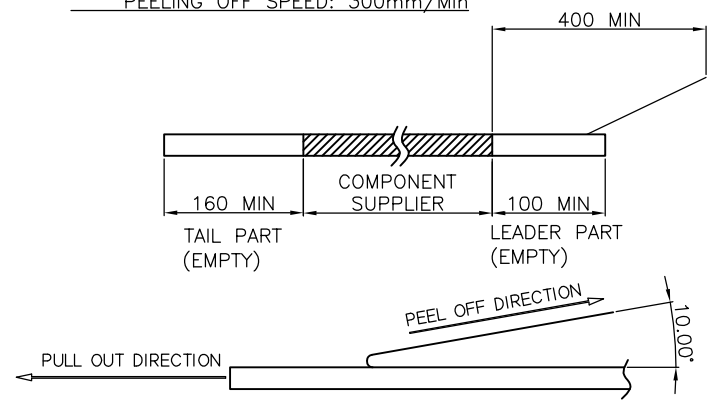
NO.	NAME	MATERIAL	FINISH	Q'TC
3	METAL-FITTING	Copper Alloy	Ni1.27~3um+Sn2~5um MAX	2
2	PLUG TERMINAL 30PIN	Copper Alloy	Ni1.27~3um+Au 0.1um MAX(Contact) & Au0.03um MIN(Lead)	30
1	PLUG HOUSING 30P	Polyamide	UL94-V0, BLACK	1

MATERIAL	-	KET KOREA ELECTRIC (ENGINEERED) TERMINAL CO., LTD.						
FINISH	-							
WIRE RANGE	-							
INSULATION	-							
LTR	REVISION RECORD	DR	CHK	APP	DATE	TOLERANCE GROUP AS NOTED	SCALE	PART NO.
	DR. Um.Y.H'08.02.10		CHK.			-	1/1	MG654505
	CHK. C.B.H 08'.02.10		APP. B.W.C 08'.02.10			PART NAME B TO B PLUG 30P R/A H6.7 ASS'Y		

DESIGN REVISION NO. 1



- NOTE -
1. NUMBER OF CONNECTOR: 700PCS/REEL
 2. LEAD TAPE LENGTH(mm)
 3. PEELING OFF FORCE OF TOP TAPE: 0.1N - 0.7N(10.2 - 71.4gf)
PEELING OFF SPEED: 300mm/Min



TOOL NO	ISSUE MARK
300007	

NO.	NAME	MATERIAL	FINISH	PART NO.	Q'TC
4	REEL	PS	BLACK & BLUE	-	1
3	COVER TAPE	PET	-	-	-
2	CARRIER TAPE	PET 0.4t	-	-	-
1	30P PLUG ASS'Y	-	-	MG654505	700

MATERIAL	-	KET KOREA ELECTRIC (ENGINEERED) TERMINAL CO., LTD.						
FINISH	-							
WIRE RANGE	-							
INSULATION	-							
LTR	REVISION RECORD	DR	CHK	APP	DATE	TOLERANCE GROUP AS NOTED	SCALE	PART NO.
	DR. Um.Y.H'08.02.10		CHK.			±0.3	1/1	P300007
	CHK. C.B.H 08'.02.10		APP. B.W.C 08'.02.10			PART NAME B TO B PLUG 30P TAPING PRODUCT		

DESIGN REVISION NO. 1