

- NOTE -

1. TOLERANCE: ±0.2, ANGLE ±3°
2. CONPLANARITY: 0.1 MAX
3. PART CODE

MG 6 5 4 5 0 9

PART NO.  
PLUG ASS'Y

4. "6 hazardous substances in parts (Lead, Mercury, Cadmium, Hexavalent Chromium, PBBs, PBDEs) shall not exceed the maximum permissible concentration prescribed under EU ELV Directive & RoHS Regulation."
5. No Twist
6. Spec : ES91500-03
7. Solder : Reflow Solder Only(Surface mount)



DIE NO	ISSUE MARK

NO.	NAME	MATERIAL	FINISH	Q'TC
4	PLUG HOUSING COVER 60P	Polyamide	UL94-V0, BLACK	1
3	METAL-FITTING	Copper Alloy	Ni1.27~3um+Sn2~5um MAX	2
2	PLUG TERMINAL 60PIN	Copper Alloy	Ni1.27~3um+Au 0.1um MAX(Contact) & Au0.03um MIN(Lead)	60
1	PLUG HOUSING 60P	Polyamide	UL94-V0, BLACK	1

PIN NO.	A
30	11.2
40	15.2
50	19.2
60	23.2
70	27.2
80	31.2
90	35.2
100	39.2
110	43.2
120	47.2

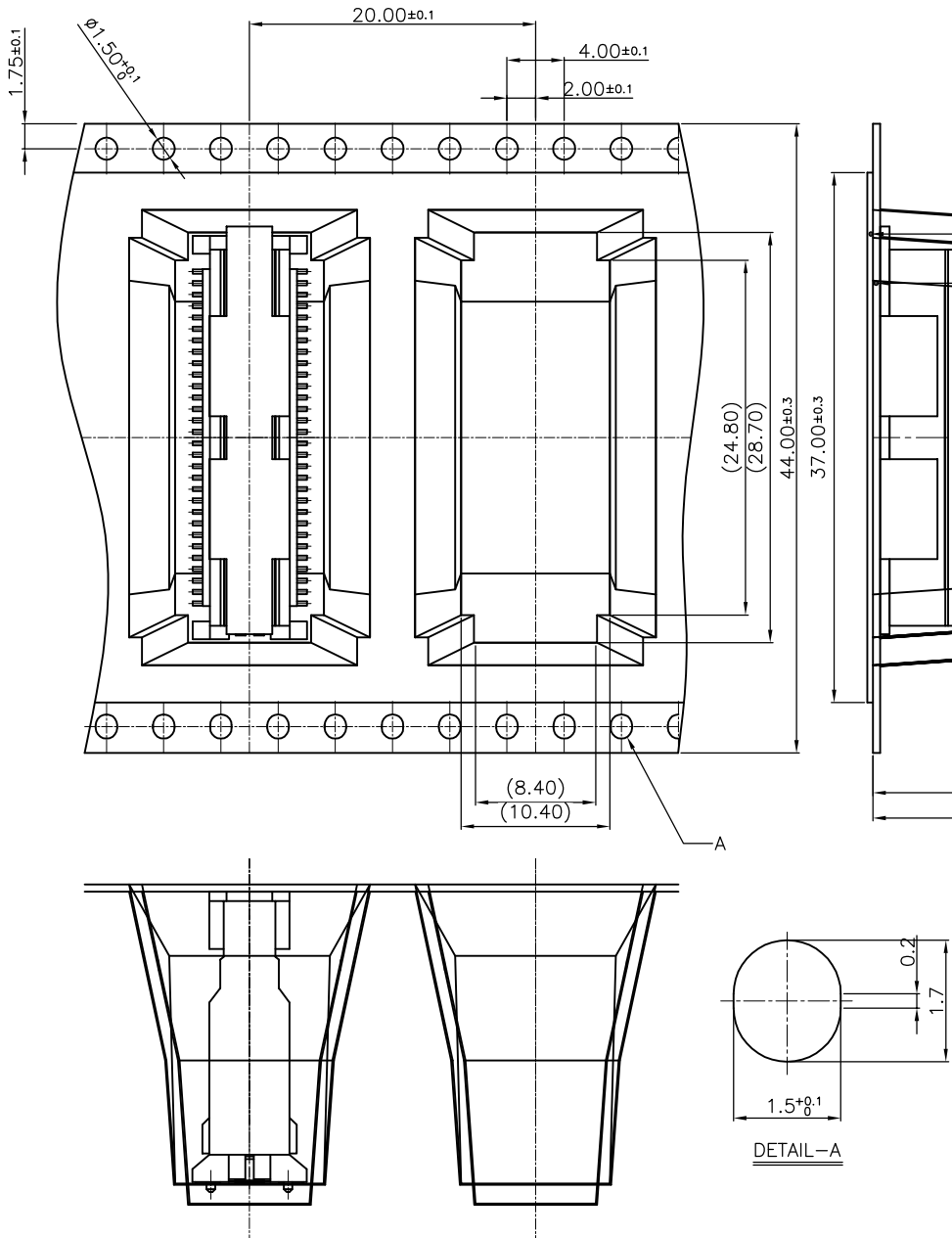
  

LTR	REVISION RECORD	DR	CHK.	APP.	DATE	TOLERANCE GROUP AS NOTED	SCALE	PART NO.
		DR. Um.Y.H'	CHK.	APP. B.W.C	08'.02.10		1/1	MG654509
		CHK. C.B.H	CHK.	APP. B.W.C	08'.02.10			

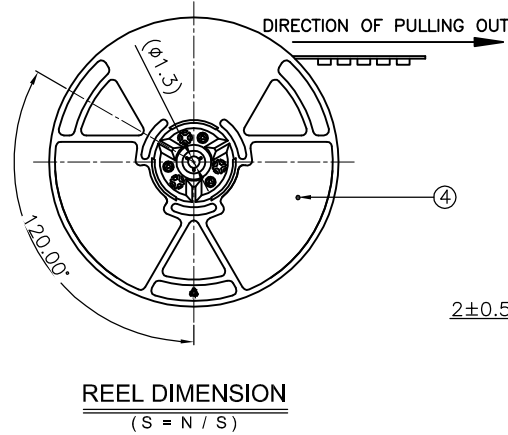
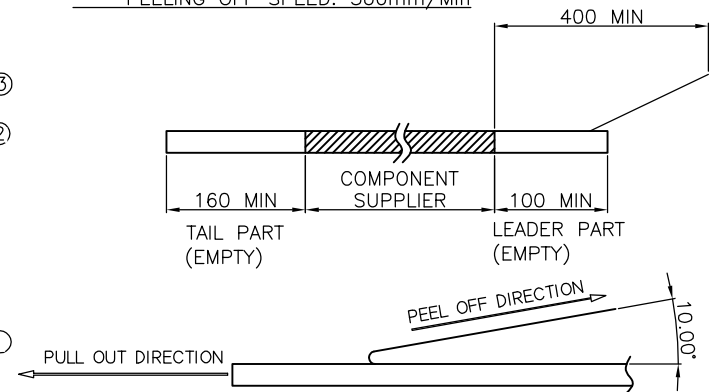
PART NAME		B TO B PLUG 60P H19.75 ASS'Y		1
				1

DESIGN REVISION NO. 1



- NOTE -

1. NUMBER OF CONNECTOR: 200PCS/REEL
2. LEAD TAPE LENGTH(mm)
3. PEELING OFF FORCE OF TOP TAPE: 0.1N - 0.7N(10.2 - 71.4gf)  
PEELING OFF SPEED: 300mm/Min



REEL DIMENSION  
(S = N / S)



300008	ISSUE MARK

NO.	NAME	MATERIAL	FINISH	PART NO.	Q'TC
4	REEL	PS	BLACK & BLUE	-	1
3	COVER TAPE	PET	-	-	-
2	CARRIER TAPE	PET 0.5t	-	-	-
1	60P PLUG ASS'Y	-	-	MG654509	200

LTR	REVISION RECORD	DR	CHK.	APP.	DATE	TOLERANCE GROUP AS NOTED	SCALE	PART NO.
		DR. Um.Y.H	CHK.	APP. B.W.C	08'.02.10	±0.3	1/1	P300008
		CHK. C.B.H	CHK.	APP. B.W.C	08'.02.10			

PART NAME		B TO B PLUG 60P TAPING PRODUCT		1
				1

DESIGN REVISION NO. 1