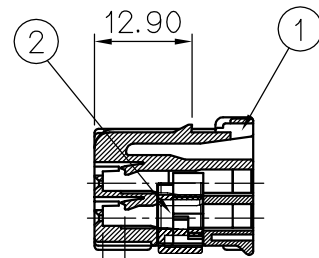
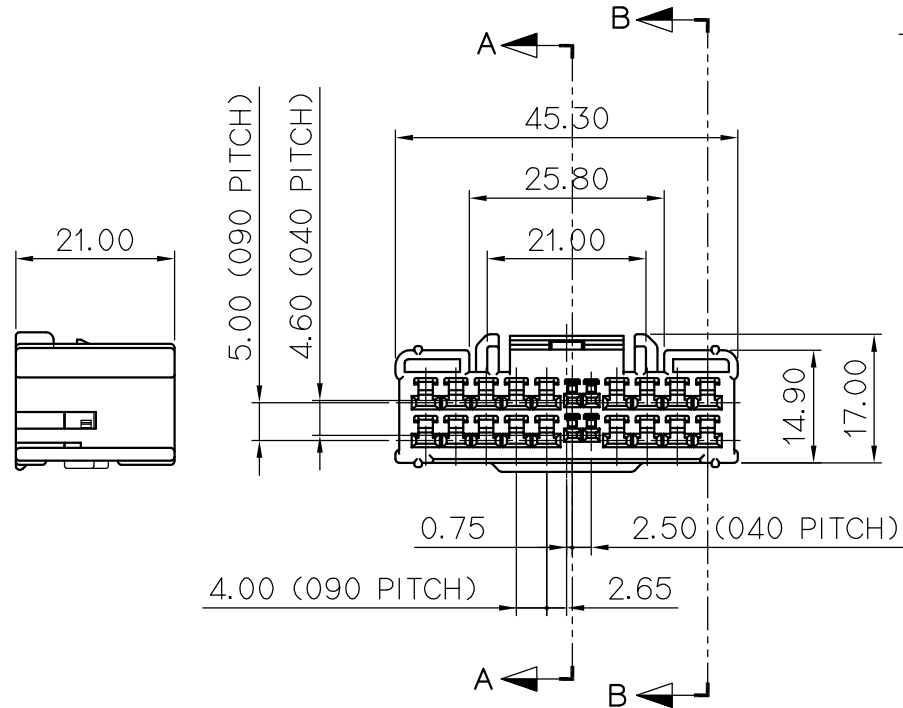
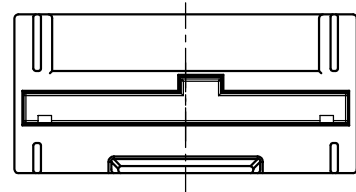


SECTION B-B



SECTION A-A



GENERAL TOLERANCE (HOUSING)							USED ON
10MAX	50MAX	100MAX	250MAX	250VR	ANGLE	ECCENT	
±0.2	±0.3	±0.55	±0.95	±1.4	±30'	0.1	

주 기

- 기능상 유해한 BURR 및 WELDLINE 등이 없을 것.
- 적용 TERMINAL(090II): ST731148, 7301149, 731150, 731151
적용 TERMINAL(040III) : ST730770, 730960, 731007
- 적용 상대 CONNECTOR : MG644780
- 제품내 함유된 6대 유해물질 (납, 수은, 카드뮴, 6가크롬, PBBs, PBDEs)은 EU ELV 지침 및 RoHS 법규에서 지정한 최대 허용 농도를 지정한 최대 허용 농도를 초과해서는 안된다.

NOTE

- MUST BE FREE OF BURR, WELDLINE AND IMPERFECTION THAT AFFECT FUNCTION.
- APPLICABLE TERMINAL(090II) : ST731148, 7301149, 731150, 731151
APPLICABLE TERMINAL(040III) : ST730770, 730960, 731007
- MATCHING CONNECTOR : MG644780
- 6 HAZARDOUS SUBSTANCES IN PARTS (LEAD, MERCURY, CADMIUM, HEXAVALENT CHROMIUM, PBBs, PBDEs) SHALL NOT EXCEED THE MAXIMUM PERMISSIBLE CONCENTRATION PRESCRIBED UNDER EU ELV DIRECTIVE & RoHS REGULATION.

ISSUE MARK

NO.	PART NO.	PART NAME	MATERIAL	FINISH
①	MG674784	0409 22F HOUSING	PBT	NATURAL
②	MG674785	0409 22F SPACER	PBT	YELLOW

				MATERIAL SEE TABLE		KOREA ELECTRIC TERMINAL CO., LTD.		
				FINISH SEE TABLE				
				WIRE RANGE		CLASS		
				INSULATION		TYPE 0409		
LTR	REVISION RECORD	DR.	CHK.	APP.	DATE	TOLERANCE EXCEPT AS NOTED SEE TABLE	SCALE 1/1	PART NO. MG654783
DR.	KMH 10.05.04	CHK.				PART NAME 0409 22F ASSY		
CHK.		APP.						