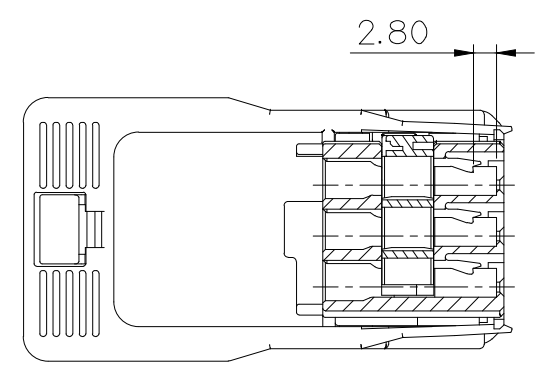


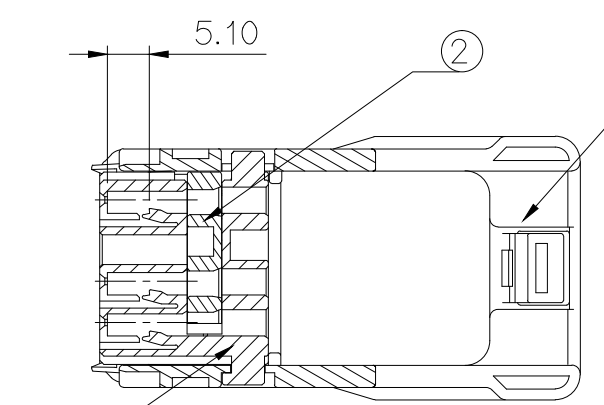
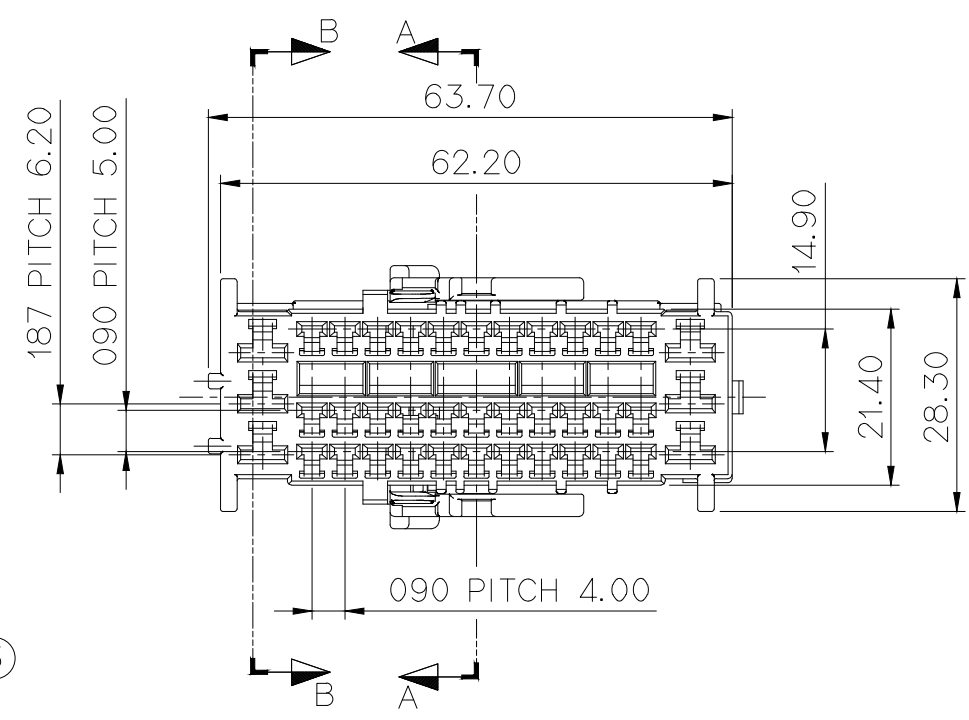
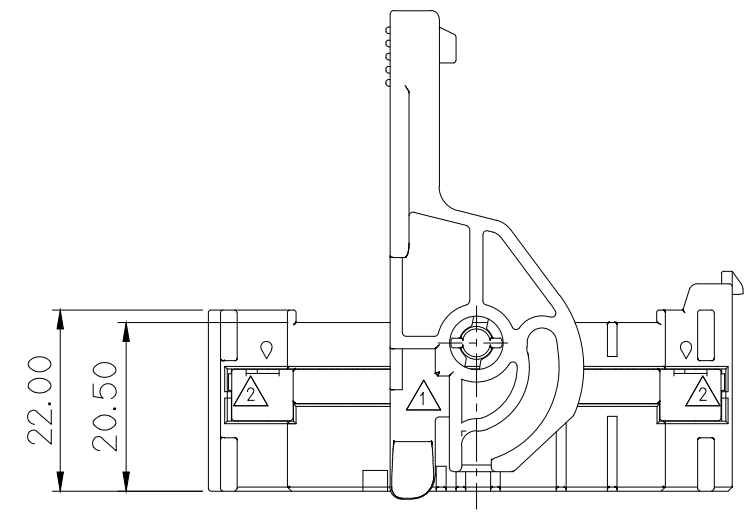
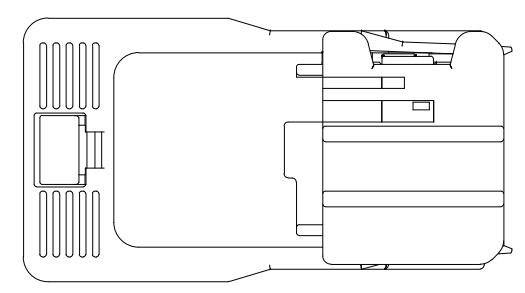
ISO VIEW

| NO. | PART NO. | PART NAME | MATERIAL | FINISH | QTY. |
|-----|----------|-------------------|-----------|-----------|------|
| ① | MG674798 | 09187 39F HOUSING | SEE TABLE | SEE TABLE | 1 |
| ② | MG674799 | 09187 39F SPACER | PBT | L/GRAY | 1 |
| ③ | MG674800 | 09187 39F LEVER | POM | BLACK | 1 |

| GENERAL TOLERANCE (HOUSING) | | | | | | | USED ON |
|-----------------------------|-------|--------|--------|-------|-------|--------|---------|
| 10MAX | 50MAX | 100MAX | 250MAX | 250VR | ANGLE | ECCENT | |
| ±0.2 | ±0.3 | ±0.55 | ±0.95 | ±1.4 | ±30' | 0.1 | |



SECTION B-B
(187)

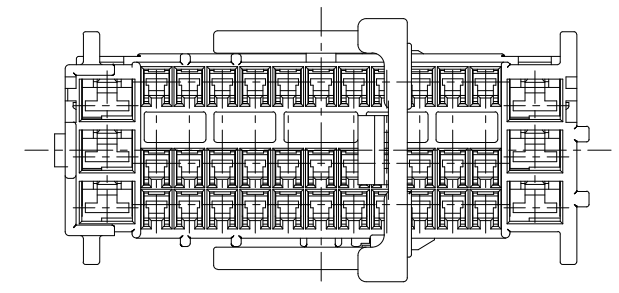
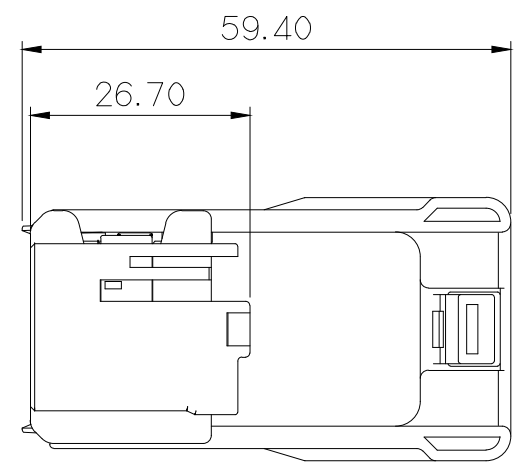


SECTION A-A
(090)

NOTE

- MUST BE FREE OF FLASH, SINK AND IMPERFECTION THAT AFFECT FUNCTION.
- APPLICABLE TERMINAL :
090 TERMINAL : ST731148, 731149, 731150, 1151-3
187II TERMINAL : ST730644, 730645, 730646-3
- 6 HAZARDOUS SUBSTANCES IN PARTS (LEAD MERCURY,CADMIUM,HEXAVALENT CHROMIUM, PPBs,PPDEs) SHALL NOT EXCEED THE MAXIMUM PERMISSIBLE CONCENTRATION PRESCRIBED UNDER EU ELV DIRECTIVE & RoHS REGULATION.

| NO. | MATERIAL | COLOR |
|-----|----------|-------------|
| * 0 | P B T | NATURAL |
| 1 | | RED |
| 2 | | BLUE |
| 3 | | YELLOW |
| 40 | | DARK GRAY |
| 41 | | LIGHT GRAY |
| 5 | | BLACK |
| 6 | | DARK GREEN |
| 7 | | BROWN |
| 8 | | LIGHT GREEN |
| 9 | | MAGENTA |
| 11 | ORANGE | |



주 기

- 기능상 유해한 BURR 및 WELDLINE 등이 없을 것.
- 적용 TERMINAL
090 TERMINAL : ST731148, 731149, 731150, 1151-3
187II TERMINAL : ST730644, 730645, 730646-3
- 제품내 함유된 6대 유해물질 (납,수은,카드뮴,6가크롬, PBBs,PBDEs)은 EU ELV 지침 및 RoHS 법규에서 지정한 최대 허용 농도를 초과해서는 안된다.

APPROVED
2018-12-07
KOREA ELECTRIC
TERMINAL CO., LTD.
Connector Development Team 1

ISSUE MARK

| | | | | | | | | |
|--|--|--|--|--|---------------------------|-----------------|--------------------------------------|-----------------------|
| | | | | | MATERIAL | SEE TABLE | KOREA ELECTRIC TERMINAL CO., LTD. | |
| | | | | | FINISH | SEE TABLE | | |
| | | | | | WIRE RANGE | | CLASS | HYBRID |
| | | | | | INSULATION | | TYPE | 090+187II |
| | | | | | LTR | REVISION RECORD | PART NO. | MG654797 |
| | | | | | DR. | YSW '10.06.07 | SCALE | 1/1 |
| | | | | | CHK. | | PART NAME | 09187 HYBRID 39F ASSY |
| | | | | | CHK. | | | |
| | | | | | APP. | | | |
| | | | | | DATE | 6/8 | | |
| | | | | | TOLERANCE EXCEPT AS NOTED | SEE TABLE | | |