

- NOTE -
1. TOLERANCE: ±0.2, ANGLE ±3°
 2. CONPLANARITY: 0.1 MAX
 3. PART CODE

MG 6 5 4 8 2 0
 PART NO.
 PLUG ASS'Y

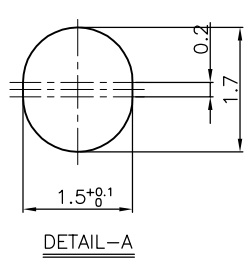
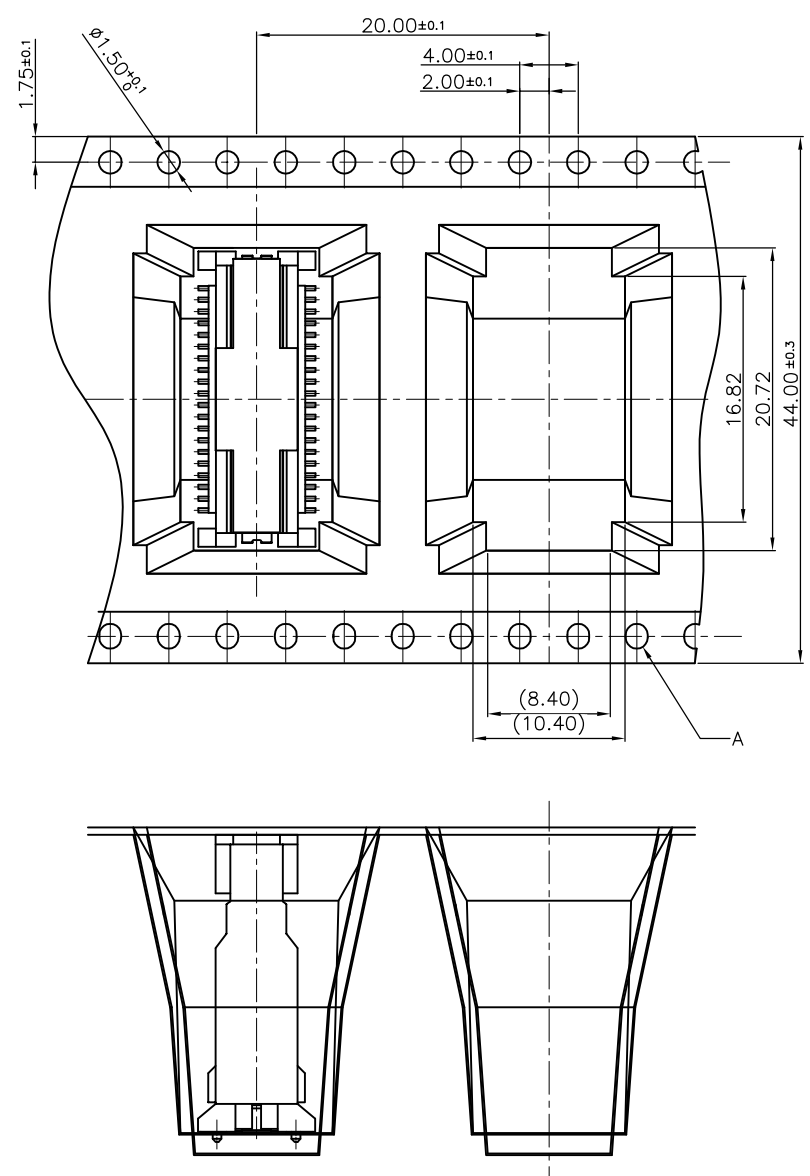
4. "6 hazardous substances in parts (Lead, Mercury, Cadmium, Hexavalent Chromium, PBBs, PBDEs) shall not exceed the maximum permissible concentration prescribed under EU ELV Directive & RoHS Regulation."
5. No Twist
6. Spec : ES91500-03
7. Solder : Reflow Solder Only(Surface mount)



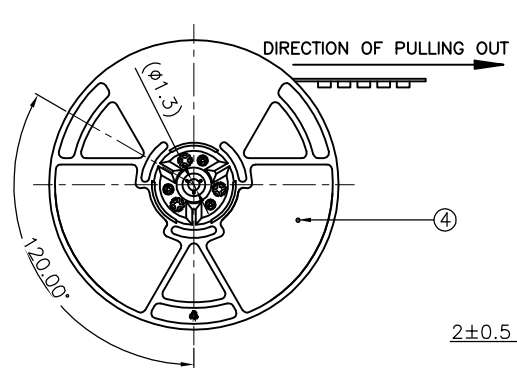
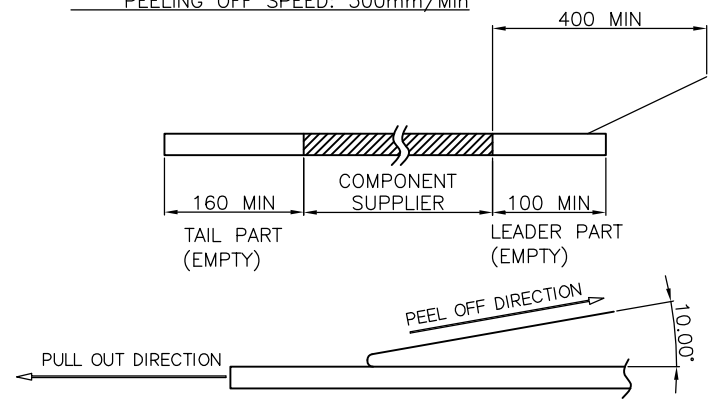
DIE NO	ISSUE MARK

4	PLUG HS'G COVER 40P	Polyamide	UL94-V0, BLACK	1				
3	METAL-FITTING	Copper Alloy	Ni1.27~3um+Sn2-5um MAX	2				
2	PLUG TERMINAL 60PIN	Copper Alloy	Ni1.27~3um+Au 0.1um MAX(Contact) & Au0.03um MIN(Lead)	40				
1	PLUG HS'G 40P H19.75	Polyamide	UL94-V0, BLACK	1				
				Q'TC				
		MATERIAL	-	KET KOREA ELECTRIC (ENGINEERED) TERMINAL CO., LTD.				
		FINISH	-					
		WIRE RANGE	-					
		INSULATION	-					
		CLASS BOARD TO BOARD		TYPE FLOATING P=0.8mm PART NO. MG654820				
		TYPE						
LTR	REVISION RECORD	DR	CHK	APP	DATE	TOLERANCE GROUP AS NOTED	SCALE	PART NO.
DR.	Um.Y.H'09.04.23	CHK.					1/1	MG654820
CHK.		APP.	B.W.C	09'.04.23	PART NAME B TO B PLUG 40P H19.75 ASS'Y			

DESIGN REVISION NO. 1



- NOTE -
1. NUMBER OF CONNECTOR: 200PCS/REEL
 2. LEAD TAPE LENGTH(mm)
 3. PEELING OFF FORCE OF TOP TAPE: 0.1N - 0.7N(10.2 - 71.4gf)
- PEELING OFF SPEED: 300mm/Min



REEL DIMENSION (S = N / S)



TOOL NO	ISSUE MARK
300009	

4	REEL	PS	BLACK & BLUE	-	1			
3	COVER TAPE	PET	-	-	-			
2	CARRIER TAPE	PET 0.4t	-	-	-			
1	40P PLUG H19.75 ASS'Y	-	-	MG654820	200			
				PART NO.	Q'TC			
		MATERIAL	-	KET KOREA ELECTRIC (ENGINEERED) TERMINAL CO., LTD.				
		FINISH	-					
		WIRE RANGE	-					
		INSULATION	-					
		CLASS BOARD TO BOARD		TYPE FLOATING P=0.8mm PART NO. P300009				
		TYPE						
LTR	REVISION RECORD	DR	CHK	APP	DATE	TOLERANCE GROUP AS NOTED	SCALE	PART NO.
DR.	Um.Y.H'09'.05.08	CHK.				±0.3	Non	P300009
CHK.		APP.	B.W.C	09'.04.23	PART NAME B TO B PLUG 40P H19.75 TAPING PRODUCT			

DESIGN REVISION NO. 1