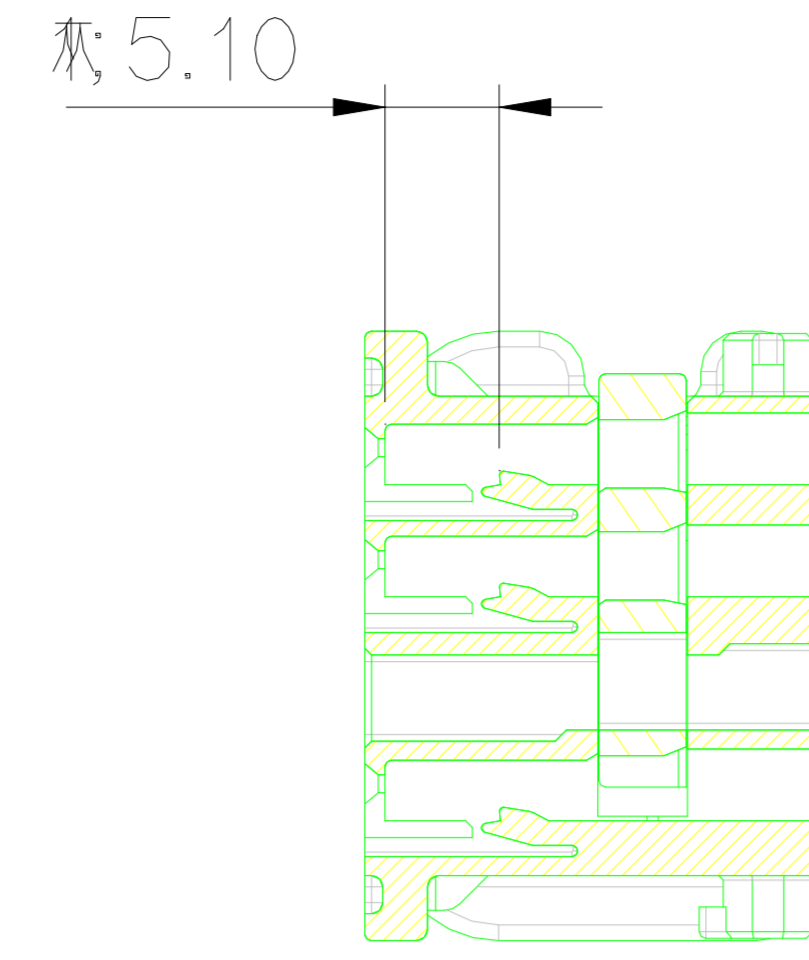
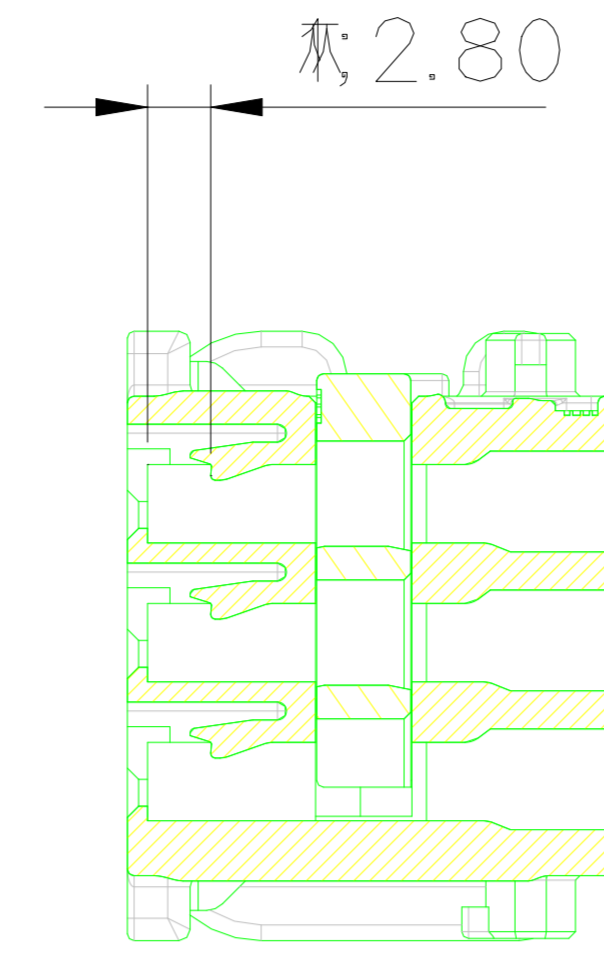


ISO VIEW

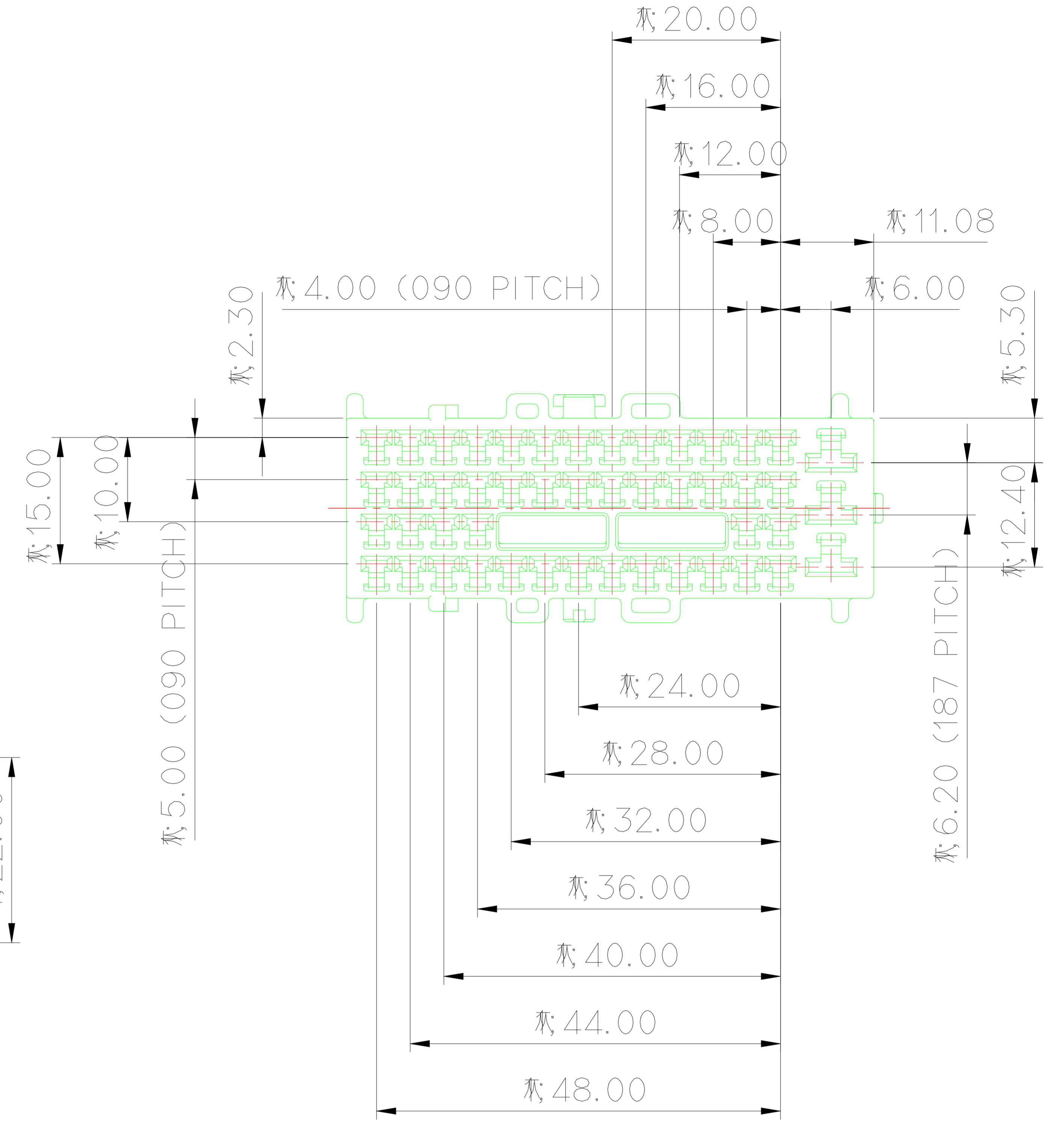


SECTION A-A
(090)

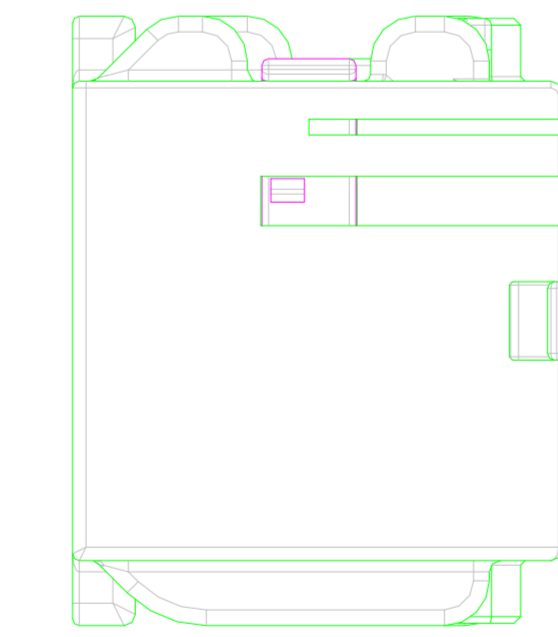
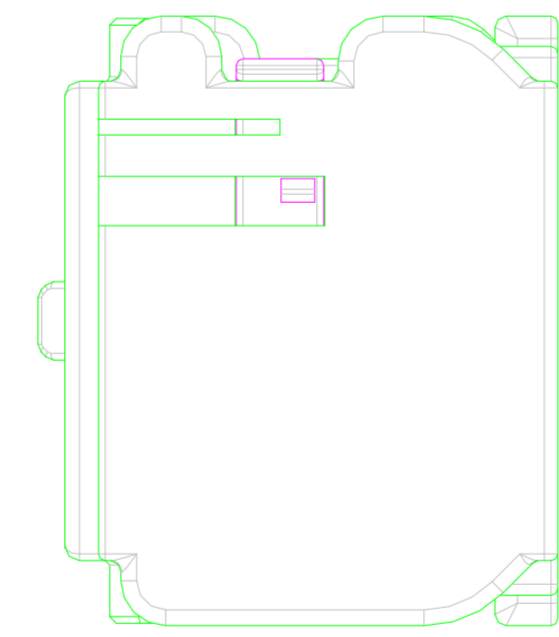
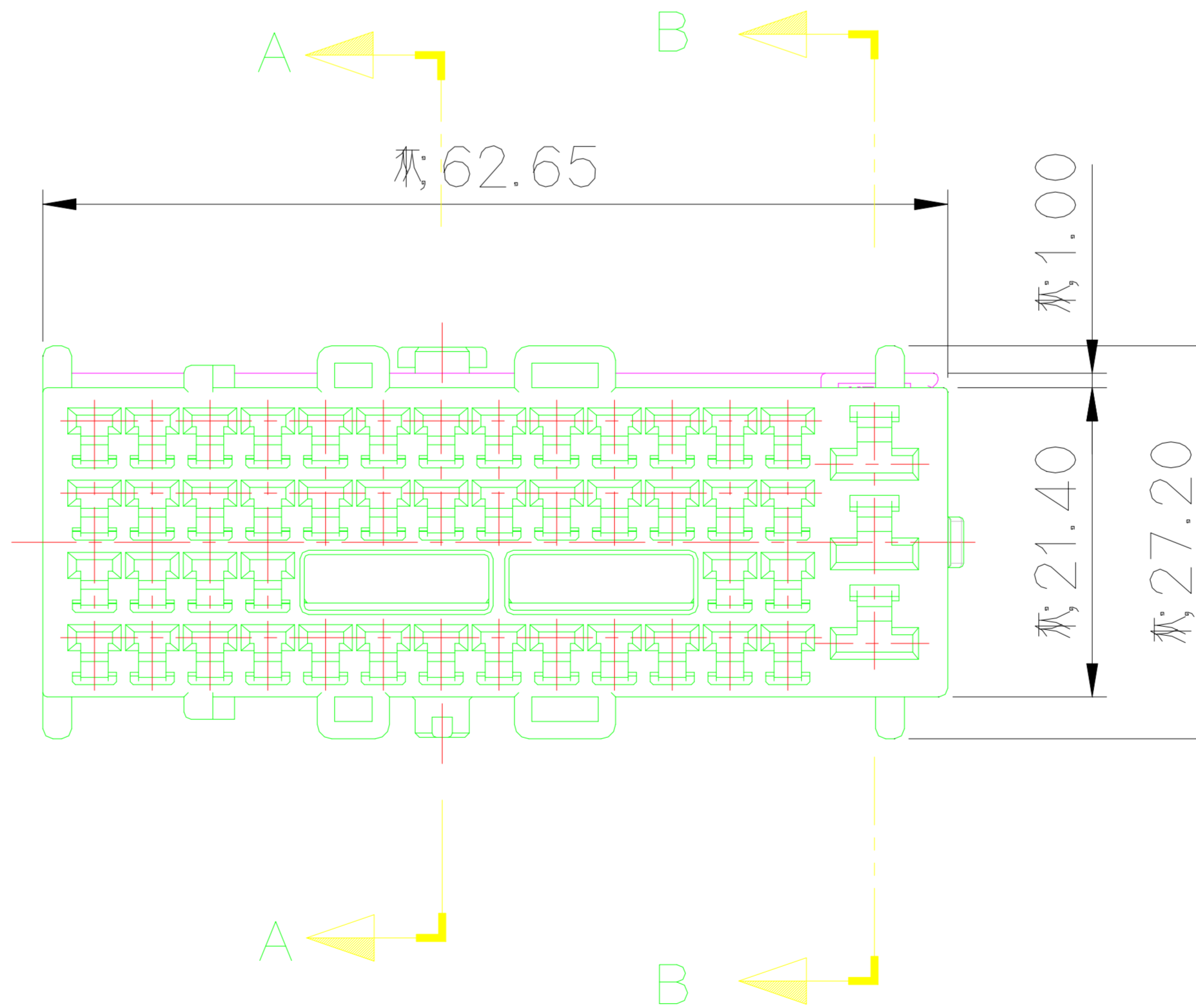
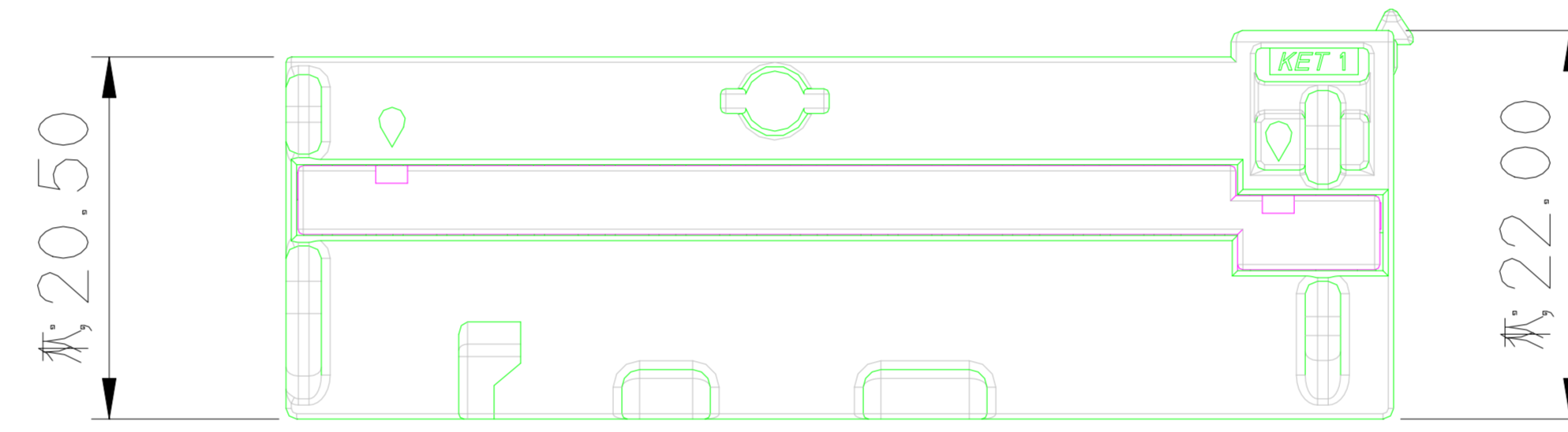


SECTION B-B
(187)

GENERAL TOLERANCE (HOUSING)							USED ON
10MAX	50MAX	100MAX	250MAX	250VR	ANGLE	ECCENT	
±0.2	±0.3	±0.55	±0.95	±1.4	±30'	0.1	



PITCH DETAIL



NOTE

- MUST BE FREE OF FLASH, WELDLINE AND IMPERFECTION THAT AFFECT FUNCTION.
- APPLICABLE TERMINAL(187) : ST730644, 0645, 0646-3
APPLICABLE TERMINAL(090) : ST731148, 1149, 1150, 1151-3
- 6 HAZARDOUS SUBSTANCES IN PARTS (LEAD, MERCURY, CADMIUM, HEXAVALENT CHROMIUM, PBBs, PBDEs) SHALL NOT EXCEED THE MAXIMUM PERMISSIBLE CONCENTRATION PRESCRIBED UNDER EU ELV DIRECTIVE & RoHS REGULATION.

주 기

- 기능상 유해한 BURR 및 WELDLINE 등이 없을 것.
- 적용 TERMINAL(187) : ST730644, 0645, 0646-3
적용 TERMINAL(090): ST731148, 1149, 1150, 1151-3
- 제품내 함유된 6대 유해물질 (납, 수은, 카드뮴, 6가크롬, PBBs, PBDEs)은 EU ELV 지침 및 RoHS 법규에서 지정한 최대 허용 농도를 초과해서는 안된다.

ISSUE MARK

NO.	PART NAME	PART NO.	MATERIAL	COLOR	QTY.
1	09187 HYBRID 48F HOUSING	MG674912	PBT	NATURAL	1
2	09187 HYBRID 48F SPACER	MG674913	PBT	L/GRAY	1

MATERIAL	SEE TABLE	KET KOREA ELECTRIC ENGINEERED TERMINAL CO., LTD.			
FINISH	SEE TABLE				
WIRE RANGE		CLASS HYBRID			
INSULATION		TYPE 090+187II			
LTR	REVISION RECORD	DR. CHK. APP. DATE	TOLERANCE EXCEPT AS NOTED	SCALE 1/1	PART NO. MG654911
DR. KMH	2010.10.18	CHK.	SEE TABLE	1/1	MG654911
CHK.		APP.	PART NAME 09187 HYBRID 48F ASSY		