

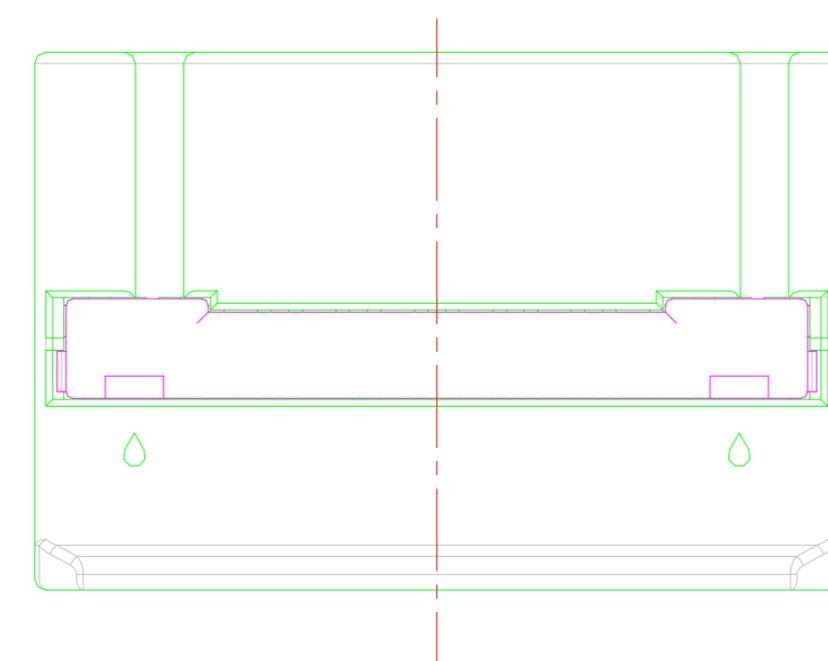
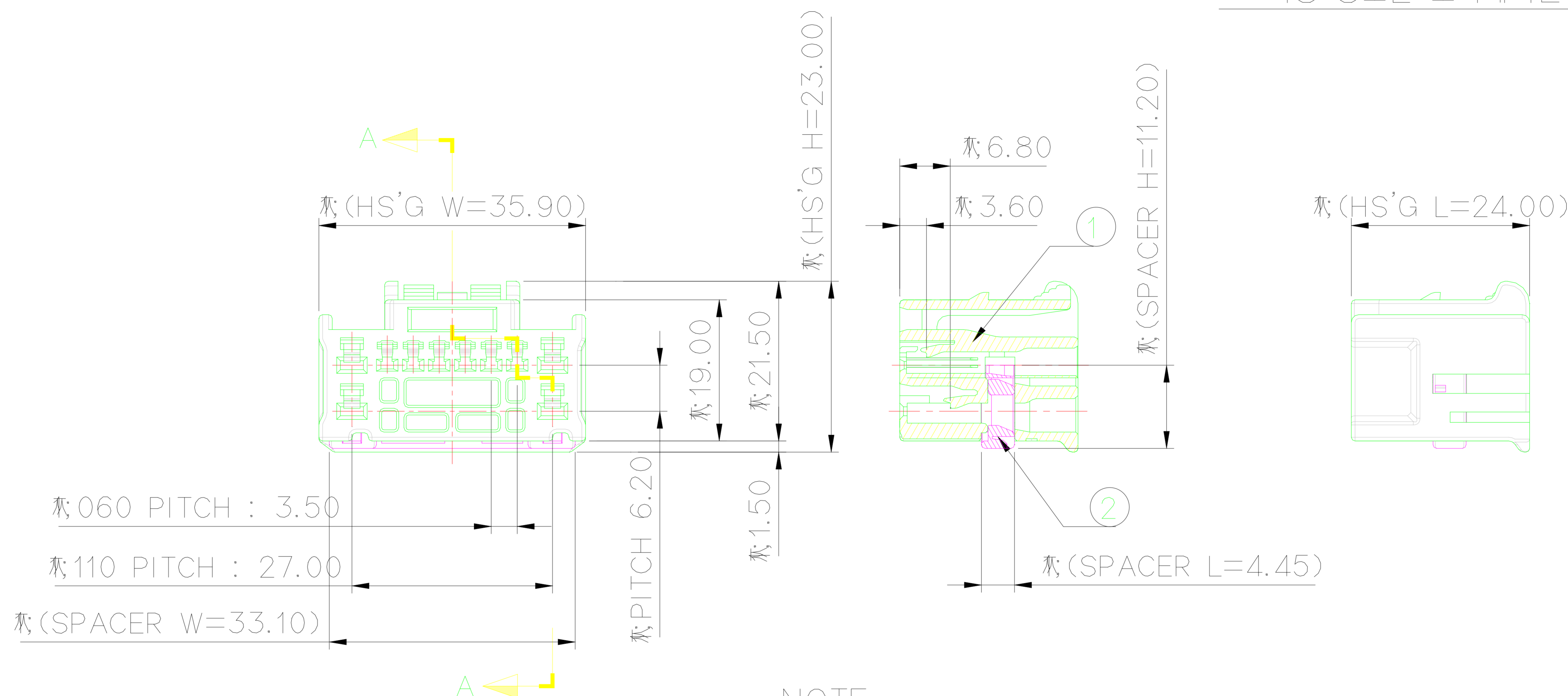
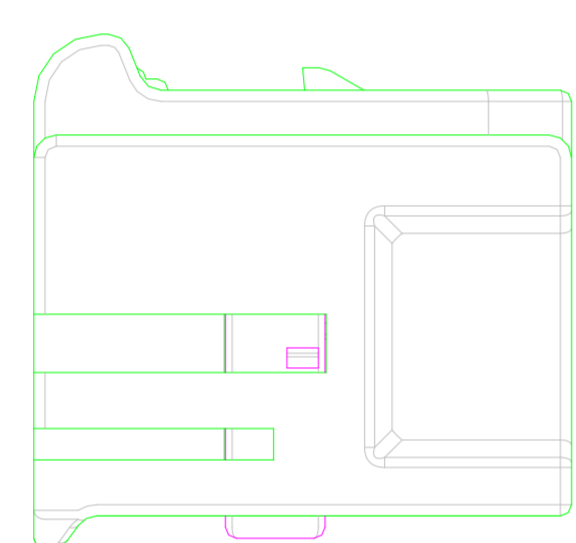
ISO VIEW

GENERAL TOLERANCE (HOUSING)

10MAX	50MAX	100MAX	250MAX	250VR	ANGLE	ECCENT	USED ON
±0.2	±0.3	±0.55	±0.95	±1.4	±30'	0.1	

주 기

- 적용 CONNECTOR : MG645206
- 적용 TERMINAL
060 : ST731267, 1268, 1269-3
110 : ST731279, 1280, 1281-3
- 제품내 함유된 6대 유해물질 (납,수은,카드뮴,6가크롬, PBBs, PBDEs)은 EU ELV 지침 및 RoHS 법규에서 지정한 최대 허용 농도를 초과해서는 안된다.



NOTE

- APPLICABLE CONNECTOR : MG645206
- APPLICABLE TERMINAL
060 : ST731267, 1268, 1269-3
110 : ST731279, 1280, 1281-3
- 6 HAZARDOUS SUBSTANCES IN PARTS (LEAD, MERCURY, CADMIUM, HEXAVALENT, CHROMIUM, PBBs, PBDEs) SHALL NOT EXCEED THE MAXIMUM PERMISSIBLE CONCENTRATION PRESCRIBED UNDER EU ELV DIRECTIVE & RoHS REGULATION.

ISSUE MARK

NO.	PART NAME	PART NO	MATERIAL	QTY.	FINISH
1	060110 HYBRID 10F HOUSING	MG675204	PBT	1	NATURAL
2	060110 HYBRID 10F SPACER	MG675205	PBT	1	YELLOW

MATERIAL		SEE TABLE	KET KOREA ELECTRIC ENGINEERED TERMINAL CO., LTD.
FINISH		SEE TABLE	
WIRE RANGE		CLASS	060+110
INSULATION		TYPE	HYBRID
LTR	REVISION RECORD	DR.	PART NO.
		CHK.	MG655203
DR.	SHIN.S.H 2010.07.26	APP.	
CHK.		APP.	
TOLERANCE EXCEPT AS NOTED		SCALE	
SEE TABLE		1/1	
PART NAME			060110 HYBRID 10F ASSY