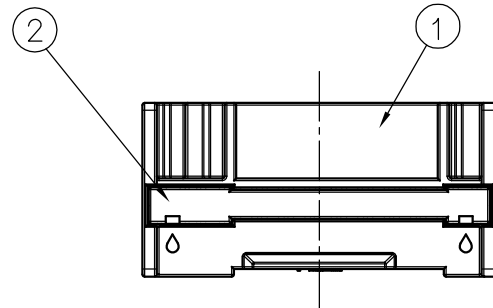
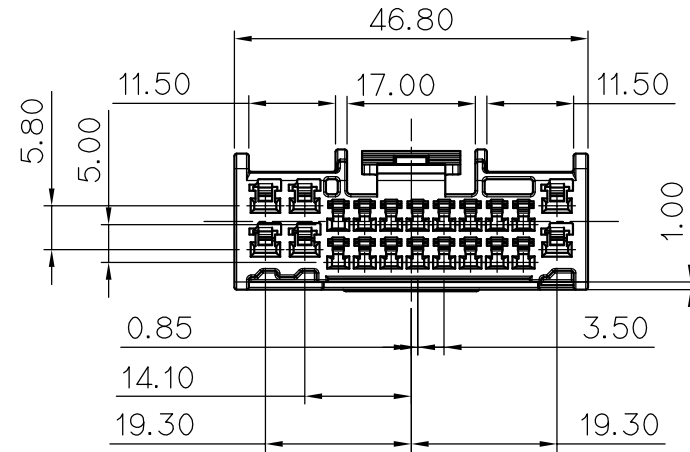
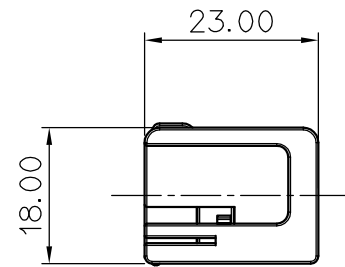
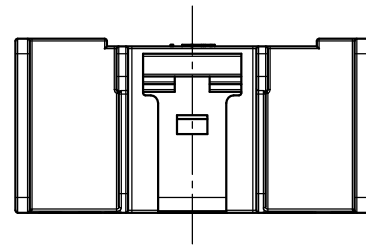
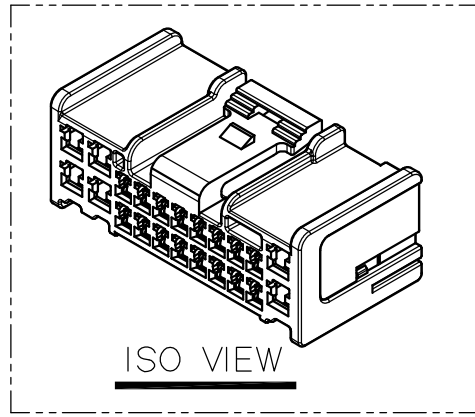


PART NO. MG655444

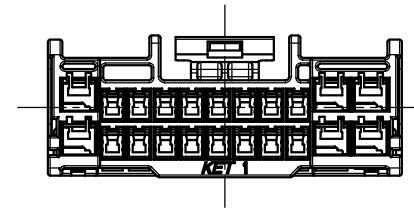
CUSTOMER DRAWING



GENERAL TOLERANCE (HOUSING)							USED ON
10MAX	50MAX	100MAX	250MAX	250VR	ANGLE	ECCENT	
±0.2	±0.3	±0.55	±0.95	±1.4	±30'	0.1	

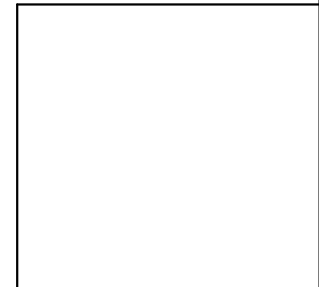
주 기

- 기능상 유해한 BURR 및 WELDLINE 등이 없을 것.
- 적용 TERMINAL(060): ST731267-3, 731268-3, 731269-3
적용 TERMINAL(110) : ST731279-3, 731280-3, 731281-3
- 적용 상대 CONNECTOR : MG645441
- 제품내 함유된 6대 유해물질 (납, 수은, 카드뮴, 6가크롬, PBBs, PBDEs)은 EU ELV 지침 및 RoHS 법규에서 지정한 최대 허용 농도를 지정한 최대 허용 농도를 초과해서는 안된다.



NOTE

- MUST BE FREE OF BURR, WELDLINE AND IMPERFECTION THAT AFFECT FUNCTION.
- APPLICABLE TERMINAL(060): ST731267-3, 731268-3, 731269-3
APPLICABLE TERMINAL(110) : ST731279-3, 731280-3, 731281-3
- MATCHING CONNECTOR : MG645441
- 6 HAZARDOUS SUBSTANCES IN PARTS (LEAD, MERCURY, CADMIUM, HEXAVALENT CHROMIUM, PBBs, PBDEs) SHALL NOT EXCEED THE MAXIMUM PERMISSIBLE CONCENTRATION PRESCRIBED UNDER EU ELV DIRECTIVE & RoHS REGULATION.



ISSUE MARK

NO.	PART NO.	PART NAME	MATERIAL	COLOR
①	MG675445	060110 22F HOUSING	PBT	NATURAL
②	MG675446	060110 22F SPACER	PBT	YELLOW

					MATERIAL	SEE TABLE	KET KOREA ELECTRIC ENGINEERED TERMINAL CO., LTD.
					FINISH	SEE TABLE	
					WIRE RANGE		CLASS
					INSULATION		TYPE 060110
△	ECO-1107-367 에 따른 설계변경	CKY		11.05.16	TOLERANCE EXCEPT AS NOTED	SEE TABLE	SCALE 1/1
LTR	REVISION RECORD	DR.	CHK.	APP.	DATE		PART NO. MG655444
	DR. CKY 10.12.27		CHK. CWK 10.12.27				
	CHK.		APP. KKJ 10.12.27				PART NAME 060110 22F ASSY

DIMENSIONS IN MM