

- NOTE -
- TOLERANCE: ±0.2, ANGLE ±3°
 - CONPLANARITY: 0.1 MAX
 - PART CODE

MG 6 5 5 6 5 2

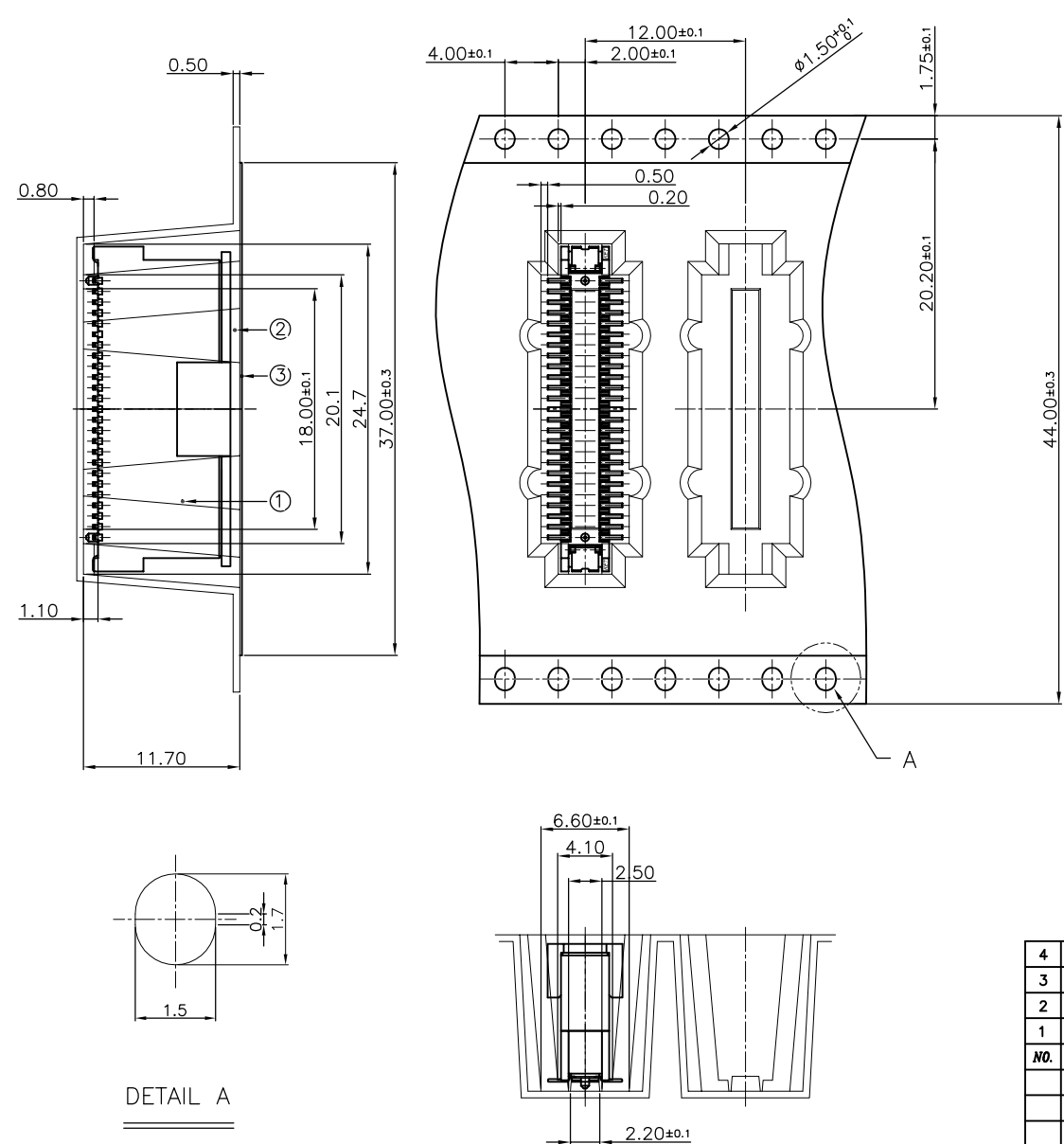
PART NO.
PLUG ASS'Y

- "6 hazardous substances in parts (Lead, Mercury, Cadmium, Hexavalent Chromium, PBBs, PBDEs) shall not exceed the maximum permissible concentration prescribed under EU ELV Directive & RoHS Regulation."
- No Twist
- Spec : ES91500-03
- Solder : Reflow Solder Only(Surface mount)

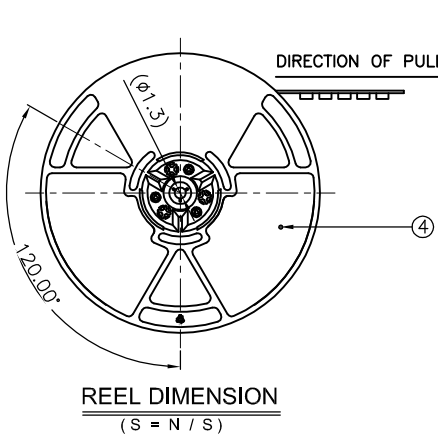
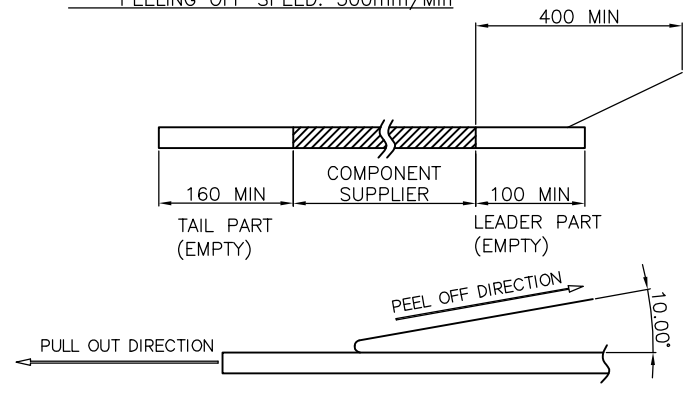
2012.09.12	
도	
개	
발	
행	
DIE NO	ISSUE MARK

4	PLUG HS'G COVER 60P	Polyamide	UL94-V0, BLACK	1					
3	METAL-FITTING	Copper Alloy	Ni1.27~3um+Sn2~5um MAX	2					
2	PLUG H9.65 TM'L	Copper Alloy	Ni1.27~3um+Au 0.1um MAX(Contact) & Au0.03um MIN(Lead)	60					
1	PLUG HS'G 60P H9.65	Polyamide	UL94-V0, BLACK	1					
NO.	NAME	MATERIAL	FINISH	Q'TC					
			MATERIAL -	KET KOREA ELECTRIC ENGINEERED TERMINAL CO., LTD.					
			FINISH -						
			WIRE RANGE -						
			INSULATION -						
			CLASS BOARD TO BOARD						
			TYPE FLOATING P=0.8mm						
LTR	REVISION RECORD	DR.	CHK.	APP.	DATE	TOLERANCE	SCALE	PART NO.	
DR.	Kim.J.M '12.01.06	CHK.	Lee.J.H '12.01.06	APP.		-	1/1	MG655652	
CHK.		APP.	Bae.W.C '12.01.06						
PART NAME								B TO B PLUG 60P H9.65 ASS'Y	1/1

DESIGN REVISION NO. 1



- NOTE -
- NUMBER OF CONNECTOR: 600PCS/REEL
 - LEAD TAPE LENGTH(mm)
 - PEELING OFF FORCE OF TOP TAPE: 0.1N - 0.7N(10.2 - 71.4gf)
 - PEELING OFF SPEED: 300mm/Min



2012.09.12	
도	
개	
발	
행	
300034	ISSUE MARK
TOOL NO	

4	REEL	PS	BLACK & BLUE	-	1				
3	COVER TAPE	PET	-	-	-				
2	CARRIER TAPE	PET 0.4t	-	-	-				
1	PLUG H9.65 ASS'Y	-	-	MG655652	600				
NO.	NAME	MATERIAL	FINISH	PART NO.	Q'TC				
			MATERIAL -	KET KOREA ELECTRIC ENGINEERED TERMINAL CO., LTD.					
			FINISH -						
			WIRE RANGE -						
			INSULATION -						
			CLASS BOARD TO BOARD						
			TYPE FLOATING P=0.8mm						
LTR	REVISION RECORD	DR.	CHK.	APP.	DATE	TOLERANCE	SCALE	PART NO.	
DR.	Kim.J.M 10.09.01	CHK.	Um.Y.H 10.09.01	APP.		-	Non	P300034	
CHK.		APP.	B.W.C 10.09.01						
PART NAME								B TO B PLUG 50P H9.65 TAPING PRODUCT	1/1

DESIGN REVISION NO. 0

DETAIL A