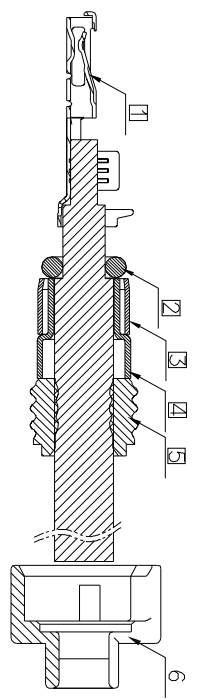


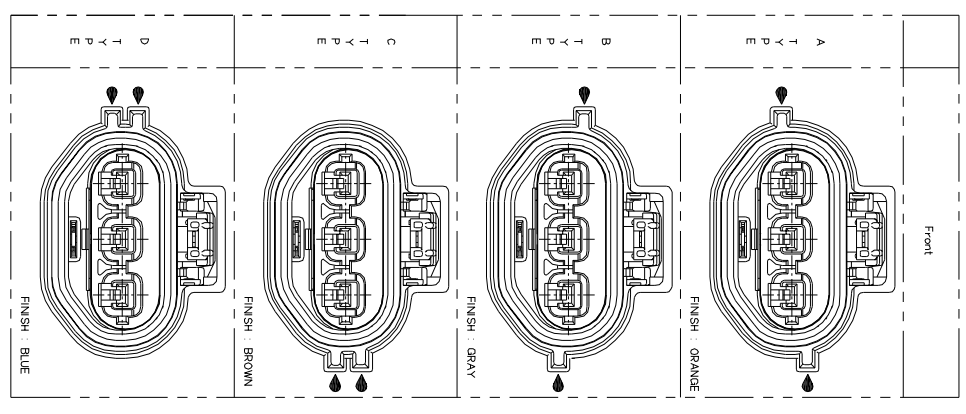
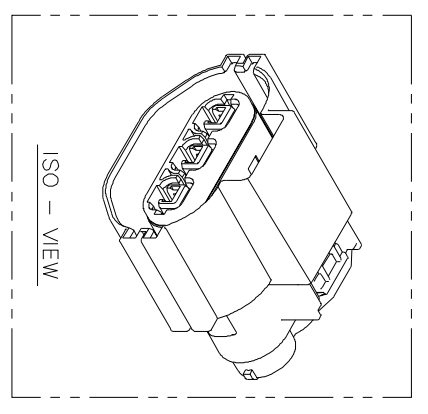
ASSEMBLY SUB PART			
NO.	ISO - VIEW	PART NAME	MATERIAL
1		HVSC 20A 3F OUTER HOUSING	EP ORANGE 1EA
2		HVSC 20A 3F HOUSING	EP BLACK 1EA
3		HVSC 20A 3F SHIELD SHELL	COPPER Sn 1EA
4		HVSC 20A 3F 040111 JOINT SPRING	COPPER Sn 1EA
5		GS 150 WP CPA	EP YELLOW 1EA
6		HVSC 20A 3F INNER SEAL	SILICONE RED 1EA

APPLICABLE SUB PART			
NO.	ISO - VIEW	PART NAME	MATERIAL
1		280(110) Female TERMINAL	COPPER TIN 3EA
2		HVSC 20A 2M O-Ring	SILICONE BLACK 3EA
3		HVSC 20A 2P Wire Crimp Ring	COPPER Sn 3EA
4		HVSC 20A 2P Wire Support Ring	COPPER Sn 3EA
5		HVSC 20A 2P 280 Wire Seal	SILICONE RED 3EA
6		HVSC 20A 3F REARHOLDER	EP BLUE 1EA



Application Type	Connector P/N	Coding Type	Color	Matching P/N	
				Wire Harness	Connector
HVSC 20A 3F Connector A Type	MG655661	A	Orange	MG6655689	MG645708
HVSC 20A 3F Connector B Type	MG655662	B	Gray	MG665590	MG645709
HVSC 20A 3F Connector C Type	MG655663	C	Br-own	MG665591	MG645710
HVSC 20A 3F Connector D Type	MG655664	D	Blue	MG665592	MG645711

GENERAL TOLERANCE			
10MAX	50MAX	100MAX	250MAX
±0.2	±0.3	±0.55	±0.95
			±1.4
			±30'
			0.1



NOTE  
1. MUST BE FREE OF BURR, WELDLINE AND IMPERFECTION THAT AFFECT FUNCTION.



DR	CHK	APP.	MO. JH	DATE	REVISION RECORD	SCALE	PART NO.
DR	CHK	APP.	MO. JH	DATE	REVISION RECORD	SCALE	PART NO.
						1/1	MG655661,662,663,664

MATERIAL	FINISH	WIRE RANGE	INSULATION	SCALE	PART NO.
SEE TABLE	SEE TABLE	3SQ	SEE TABLE	1/1	MG655661,662,663,664