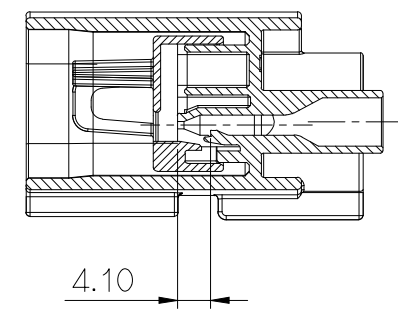


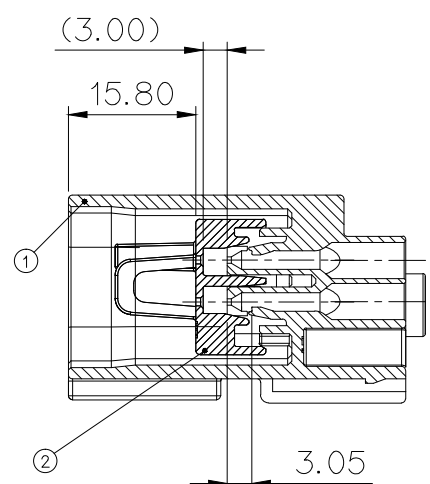
NO.	MATERIAL	COLOR
0	SEE TABLE	NATURAL
1		RED
2		BLUE
20		JADE
3		YELLOW
4		GRAY
40		DARK GRAY
41		LIGHT GRAY
5		BLACK
6		DARK GREEN
7		BROWN
8	LIGHT GREEN	
9	MAGENTA	
11	ORANGE	

NO.	PART NO.	PART NAME	MATERIAL	FINISH
①	MG675890-5	060110 WP 16M HSOSING	PBT	SEE TABLE
②	MG675891	060110 WP 16M F/HOLDER	PBT	SEE TABLE

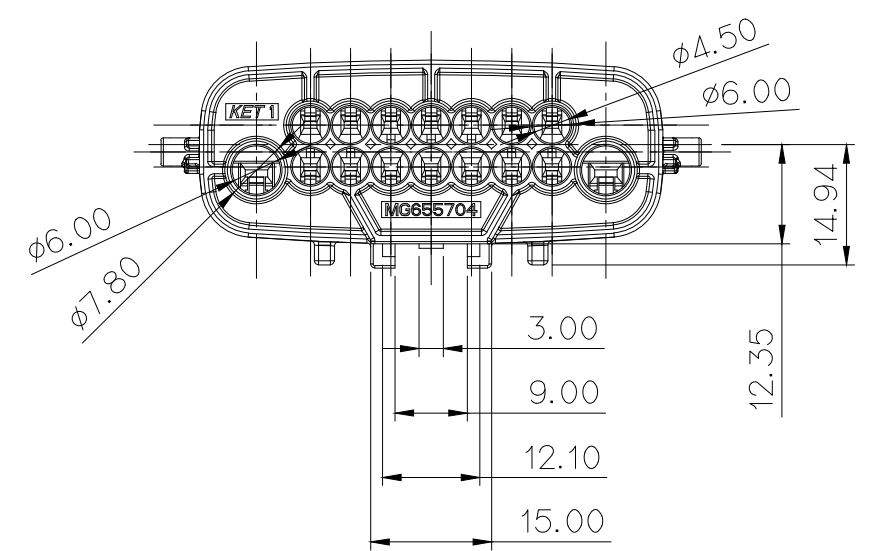
GENERAL TOLERANCE (HOUSING)									USED ON
10MAX	30MAX	50MAX	70MAX	100MAX	120MAX	250MAX	250VR	ANGLE	
±0.15	±0.2	±0.3	±0.4	±0.50	±0.75	±0.9	±1.4	±0.5°	



SECTION B-B



SECTION A-A



NOTE

- MUST BE FREE OF BURR, WELDLINE AND IMPERFECTION THAT AFFECT FUNCTION.
- APPLICABLE TERMINAL(060) : ST741340, 1341, 1342
 TERMINAL(110) : ST741288, 1289
 WIRE SEAL(060) : MG685389, 5390, 5391, 5392, 5393
 WIRE SEAL(110) : MG680470, 0564, 0522
 DUMMY SEAL : (060)MG685394 / (110)MG680905
 CLIP : MG631471, 2019, 1267, 1929, 1268
 FEMALE ASSY : MG645758
- 6 HAZARDOUS SUBSTANCES IN PARTS (LEAD, MERCURY, CADMIUM, HEXAVALENT CHROMIUM, PBBs, PBDEs) SHALL NOT EXCEED THE MAXIMUM PERMISSIBLE CONCENTRATION PRESCRIBED UNDER EU ELV DIRECTIVE & RoHS REGULATION.

주 기

- 기능상 유해한 BURR 및 WELDLINE 등이 없을 것.
- 적용 TERMINAL(060) : ST741340, 1341, 1342
 적용 TERMINAL(110) : ST741288, 1289
 WIRE SEAL(060) : MG685389, 5390, 5391, 5392, 5393
 WIRE SEAL(110) : MG680470, 0564, 0522
 DUMMY SEAL : (060)MG685394 / (110)MG680905
 CLIP : MG631471, 2019, 1267, 1929, 1268
 FEMALE ASSY : MG645758
- 제품내 함유된 6대 유해물질 (납, 수은, 카드뮴, 6가크롬, PBBs, PBDEs)은 EU ELV 지침 및 RoHS 법규에서 지정한 최대 허용 농도를 초과해서는 안 된다.

APPROVED
 2018-12-11
 KOREA ELECTRIC
 TERMINAL CO., LTD.
 Korea Electric Terminal Co., LTD.

ISSUE MARK

						MATERIAL	SEE TABLE	KIET KOREA ELECTRIC ENGINEERED TERMINAL CO., LTD.
						FINISH	SEE TABLE	
③	ECO-1603-455	근거 도면 제작성 (작업 시인성 개선관련 색상추가)	KSJ	KMH	BIN	16.03.29	WIRE RANGE	CLASS 060110
②	ECO-1603-106	근거 도면 제작성 (LEVER 작동 돌기 감성 중대 개선)	LJJ	CKY	LSY	16.03.09	INSULATION	TYPE WP
①	ECO-1507-353	근거 도면 제작성 (110 WIRE SEAL 품번 추가 기입)	SY.L	CKY	LSY	15.07.23	TOLERANCE EXCEPT AS NOTED	SCALE 1/1
LTR	REVISION RECORD		DR.	CHK.	APP.	DATE	PART NO.	MG655704-5
DR.	JSY	2012.11.22	CHK.				PART NAME	060110 WP 16M ASSY
CHK.			APP.					