

PART NO. MG655740
 MG655740-41N

CUSTOMER DRAWING

GENERAL TOLERANCE (HOUSING)

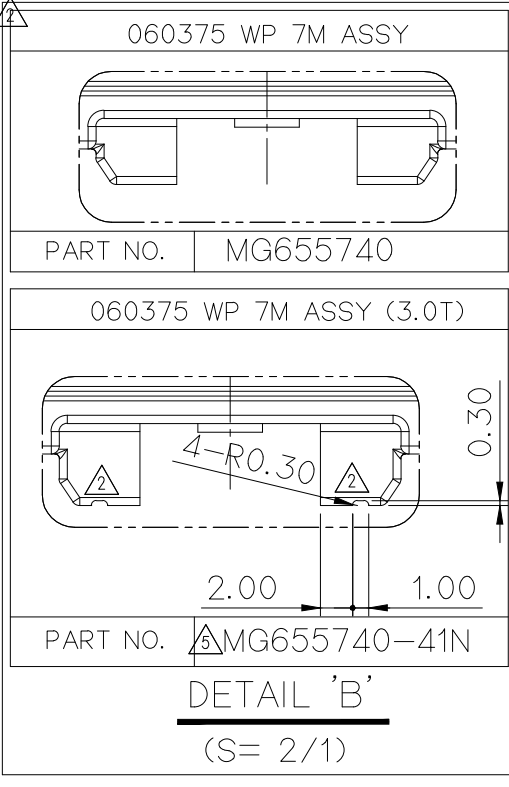
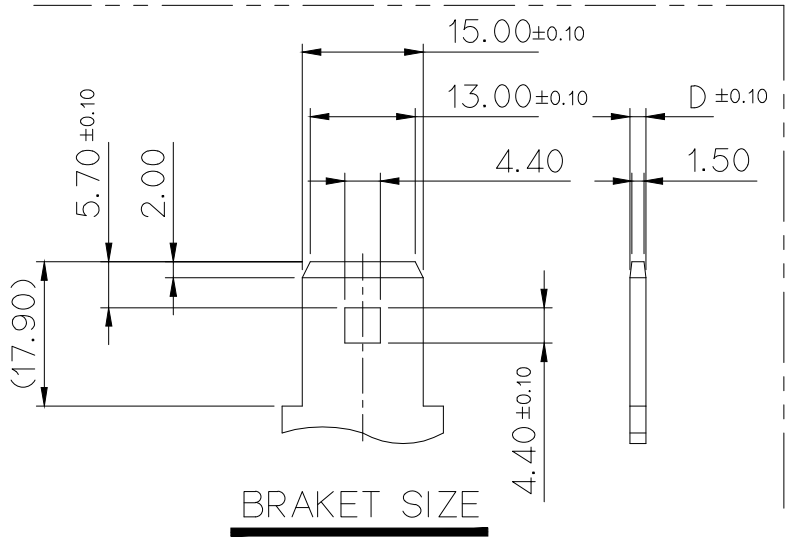
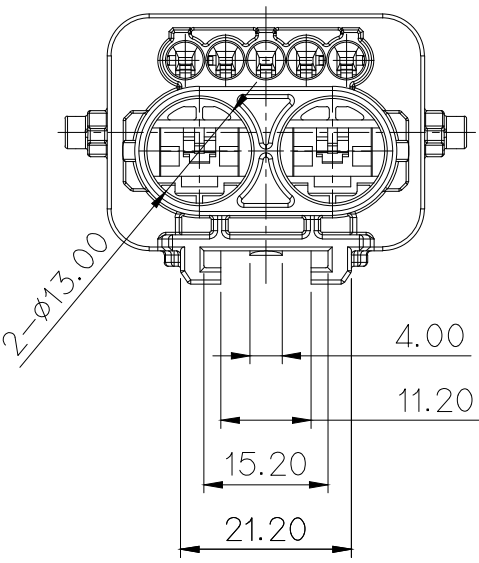
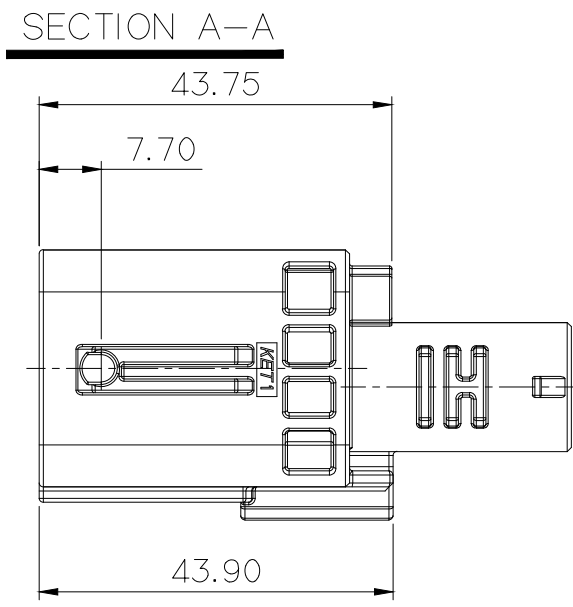
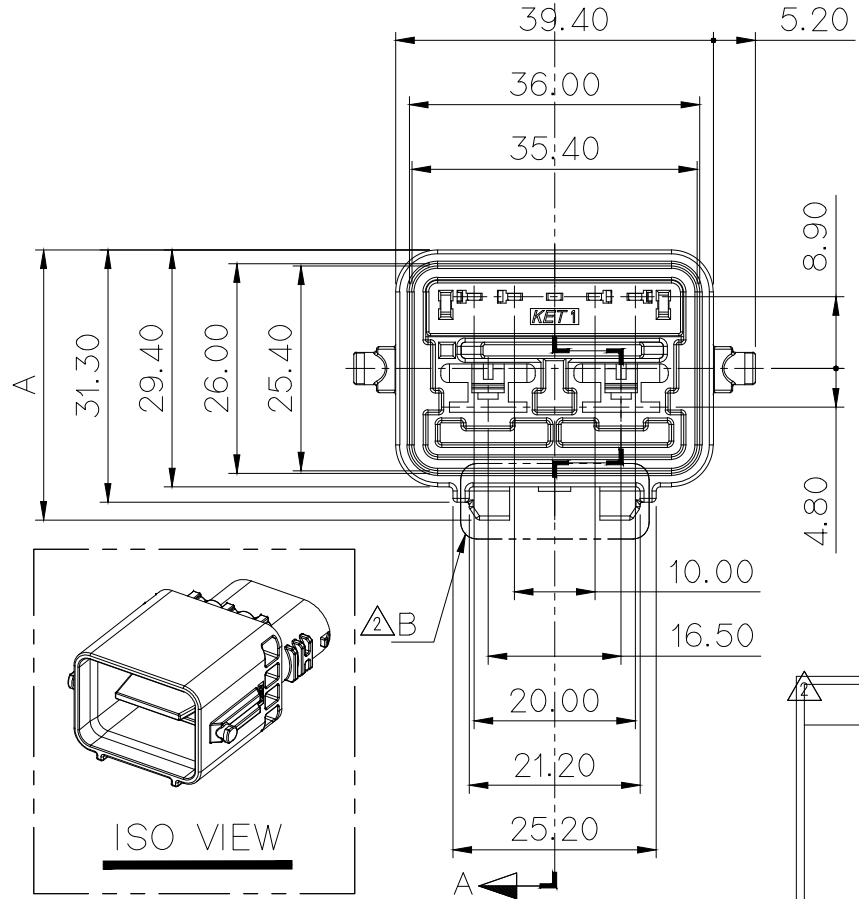
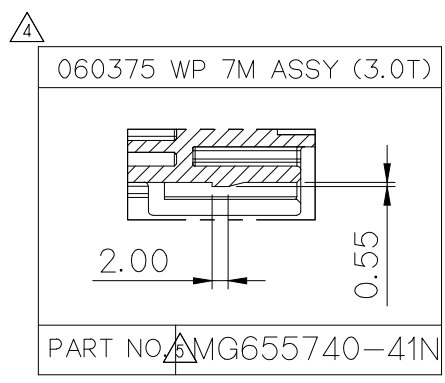
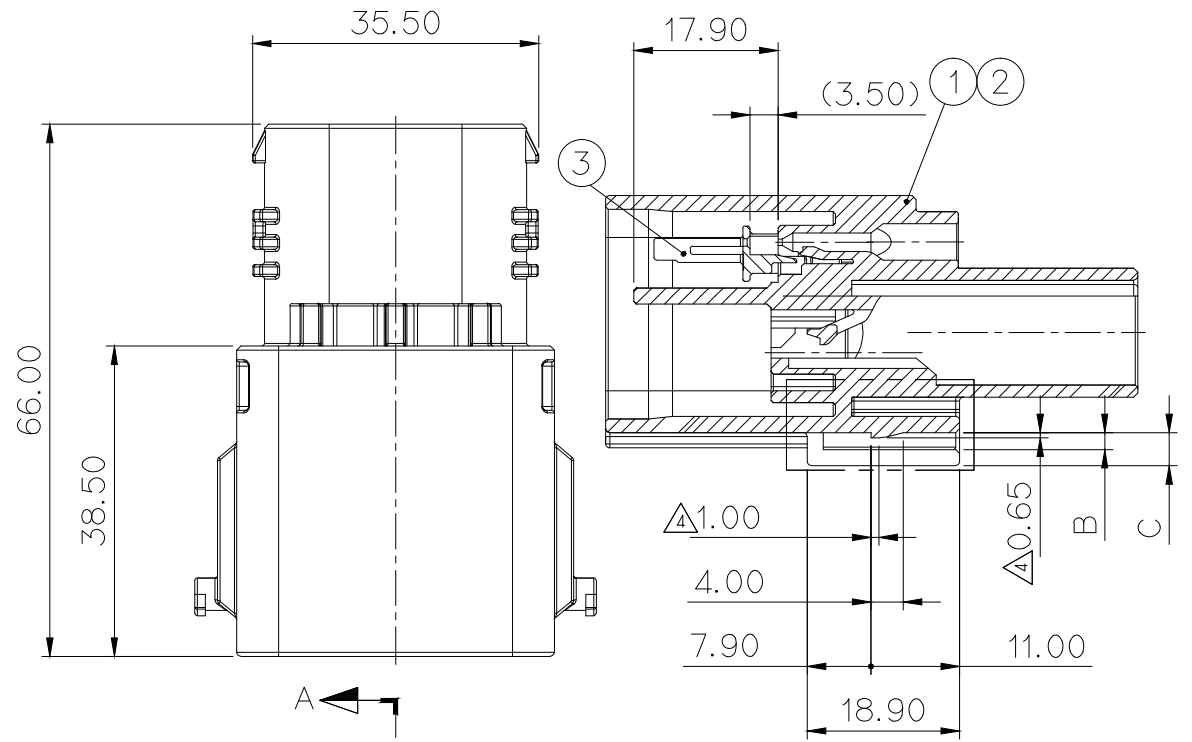
10MAX	30MAX	50MAX	70MAX	100MAX	120MAX	250MAX	250VR	ANGLE	ECCENT	USED ON
±0.15	±0.2	±0.3	±0.4	±0.5	±0.75	±0.9	±1.4	±30'	0.1	

NOTE

- UNLESS OTHERWISE SPECIFIED ALL RADIUS TO BE 0.3 RADIUS.
- UNLESS OTHERWISE SPECIFIED ALL CHAMFERS TO BE 0.3 CHAMFER.
- MUST BE FREE OF BURR, WELDLINE AND IMPERFECTION THAT AFFECT FUNCTION.
- APPLICABLE TERMINAL(060) : ST741341-3, ST741342-3
 APPLICABLE TERMINAL(375) : ST740539-3, ST741353-S(Ag)
 (YAZAKI)7114-5623-06(Ag)
 APPLICABLE WIRE SEAL(060) : MG685390, 5391, 5392, 5393
 APPLICABLE DUMMY SEAL(060) : MG685394
 APPLICABLE WIRE SEAL(375) : MG685442, 5429
 (YAZAKI)7158-3713-70, 7158-3672-50
 APPLICABLE REAR HOLDER : MG635662
- MATCHING CONNECTOR : MG645785
- 6 HAZARDOUS SUBSTANCES IN PARTS (LEAD, MERCURY, CADMIUM, HEXAVALENT CHROMIUM, PBBs, PBDEs) SHALL NOT EXCEED THE MAXIMUM PERMISSIBLE CONCENTRATION PRESCRIBED UNDER EU ELV DIRECTIVE.

주 기

- 지시하지 않은 반경 R은 0.3으로 한다.
- 지시하지 않은 모따기 C는 0.3으로 한다.
- 기능상 유해한 BURR 및 WELDLINE 등이 없을 것.
- 적용 TERMINAL(060) : ST741341-3, ST741342-3
 적용 TERMINAL(375) : ST740539-3, ST741353-S(Ag)
 (YAZAKI)7114-5623-06(Ag)
 적용 WIRE SEAL(060) : MG685390, 5391, 5392, 5393
 적용 DUMMY SEAL(060) : MG685394
 적용 WIRE SEAL(375) : MG685442, 5429
 (YAZAKI)7158-3713-70, 7158-3672-50
 적용 REAR HOLDER : MG635662
- 상대 CONNECTOR : MG645785
- 제품내 함유된 6대 유해물질 (납, 수은, 카드뮴, 6가 크롬, PBBs, PBDEs)은 EU ELV 지침 및 RoHS 법규에서 지정한 최대 허용 농도를 초과해서는 안된다.



NO.	U/S	PART NO.	PART NAME	MATERIAL	FINISH	A	B	C	D
①	1	MG676012-5 MG676012-40	060375 WP 7M HOUSING	PBT	BLACK DARK GRAY	33.50	2.10	4.10	2.0T
②	-	MG676494-41N	060375 WP 7M HOUSING (3.0T)	PBT	LIGHT GRAY	34.50	3.10	5.10	3.0T
③	1	MG676013	060375 WP 7M FRONT HOLDER	PBT	NATURAL	-	-	-	-

MG655740	MG655740-41N
----------	--------------

LTR	REVISION RECORD	DR.	CHK.	APP.	DATE
		AJH	KMH	LSY	2014.12.30
		KMH	KMH	LSY	2014.12.30

MATERIAL	SEE TABLE	
FINISH	SEE TABLE	
WIRE RANGE	CLASS	060375
INSULATION	TYPE	WP
TOLERANCE EXCEPT AS NOTED	SCALE	1/1
PART NAME	PART NO.	MG655740 MG655740-41N
		060375 WP 7M ASSY

APPROVED
 2016-03-09
 KOREA ELECTRIC TERMINAL CO., LTD.
 Korea Electric Terminal Co., LTD.

ISSUE MARK

DIMENSIONS IN MM