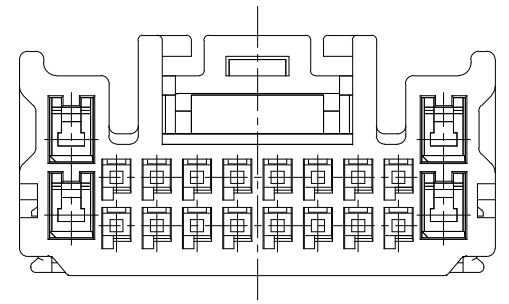
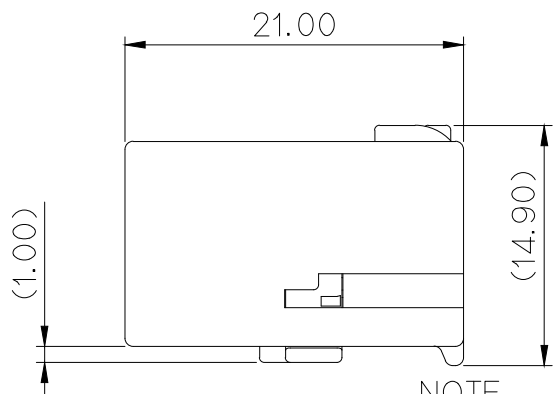
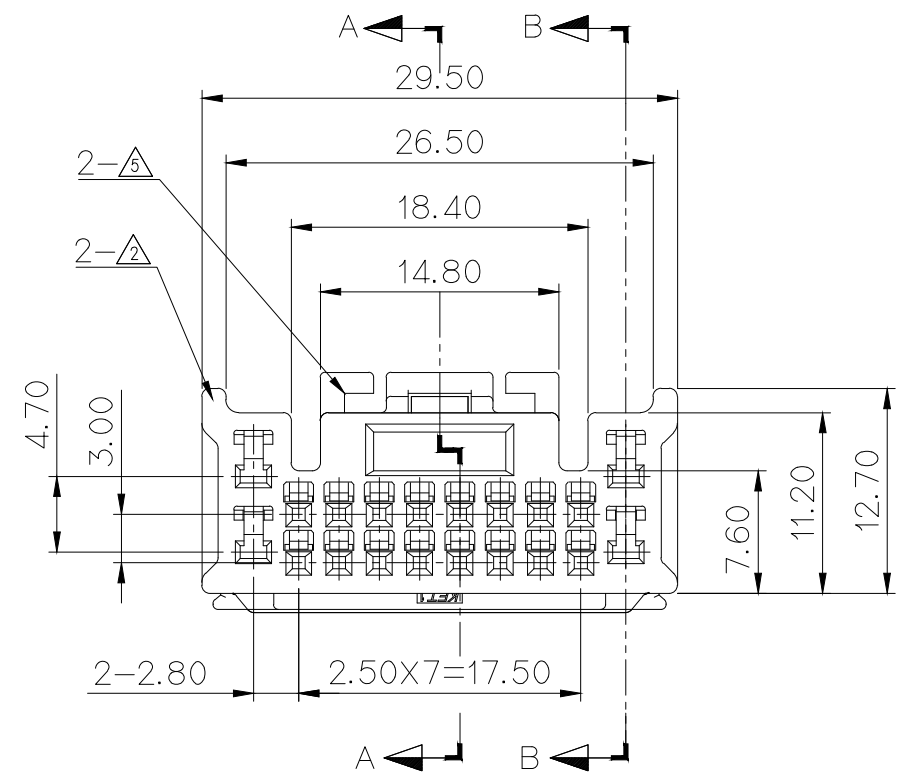
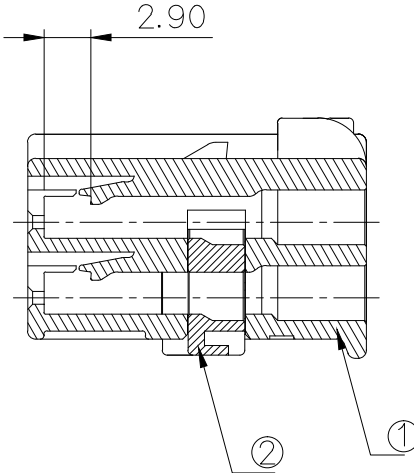
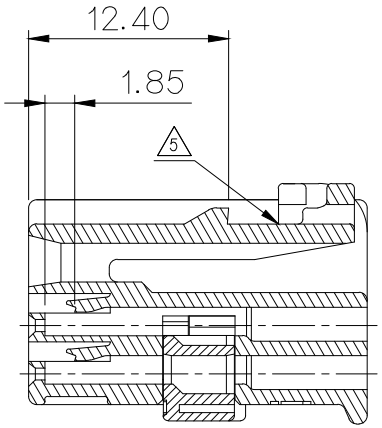
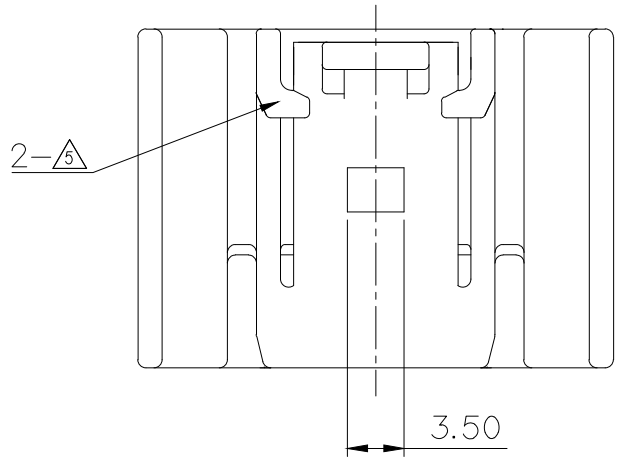
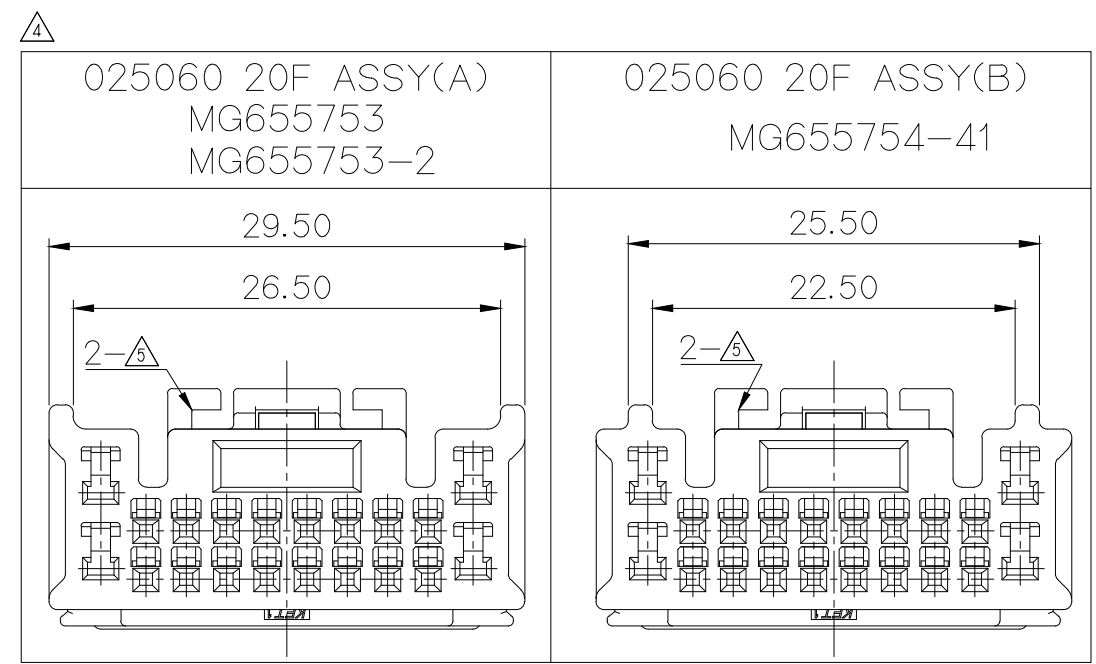


ASS'Y NO.
MG655753
MG655753-2
MG655754-41

GENERAL TOLERANCE (HOUSING)										USED ON
10MAX	30MAX	50MAX	70MAX	100MAX	125MAX	250MAX	250VR	ANGLE	ECCENT	
±0.15	±0.2	±0.3	±0.4	±0.5	±0.75	±0.9	±1.4	±30'	0.1	

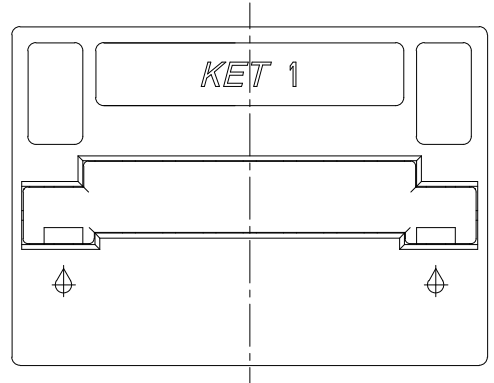
NO.	PART NAME	MATERIAL	COLOR			
①	025060 20F HOUSING(A)	PBT	NATURAL	1		
			△BLUE		1	
	025060 20F HOUSING(B)		L/GRAY			1
②	025060 20F SPACER		YELLOW	1	1	1



NO.	MATERIAL	COLOR
* 0	P B T:	NATURAL
1		RED
* 2		BLUE
20		JADE
3		YELLOW
4		GRAY
40		DARK GRAY
* 41		LIGHT GRAY
5		BLACK
6		DARK GREEN
7		BROWN
8	LIGHT GREEN	
9	MAGENTA	
11	ORANGE	

- NOTE**
- MUST BE FREE OF FLASH, SINK AND IMPERFECTION THAT AFFECT FUNCTION.
  - APPLICABLE TERMINAL(025II) : ST731374, 731375 / (060) : 731334, 731335, 731336
  - MATCHING HOUSING(MG655753) : MG645801 / (MG655754) : MG645800
  - SPACER IS SUPPORT WITH THE 1st LOCK CONDITION.
  - 6 HAZARDOUS SUBSTANCES IN PARTS (LEAD, MERCURY, CADMIUM, HEXAVALENT CHROMIUM, PBBs, PBDEs) SHALL NOT EXCEED THE MAXIMUM PERMISSIBLE CONCENTRATION PRESCRIBED UNDER EU ELV DIRECTIVE & RoHS REGULATION.

- 주 기**
- 기능상 유해한 BURR 및 WELDLINE등이 없을것.
  - 적용 TERMINAL(025II) : ST731374,731375  
적용 TERMINAL(060) : ST731334,731335, 731336
  - 상대 HOUSING(MG655753) : MG645801  
상대 HOUSING(MG655754) : MG645800
  - SPACER는 1차 LOCK 상태로 유지, 공급할 것.
  - 제품내 함유된 6대 유해물질 (납, 수은, 카드뮴, 6가크롬, PBBs, BPDEs)은 EU ELV 지침 및 RoHS 법규에서 지정한 최대 허용 농도를 지정한 최대 허용 농도를 초과해서는 안된다.



**APPROVED**  
**2021-11-03**  
KOREA ELECTRIC  
TERMINAL CO., LTD.  
Korea Electric Terminal Co., LTD.

ISSUE MARK

△5	ECO-2106-052 근거 도면 제작성	KJH	HYJ	'21.06.04	MATERIAL	SEE TABLE	<b>KET</b> KOREA ELECTRIC ENGINEERED TERMINAL CO., LTD.			
△4	ECO-2003-144 근거 도면 제작성	SDI	KSC	CJH	'20.03.10	FINISH		SEE TABLE		
△3	ECO-1706-219 근거 도면 제작성 (레버 돌림 방지 구조 강성 보강)	JH	NKT	CJH	'17.06.21	WIRE RANGE	-	CLASS	025060	
△2	ECO-1506-135 근거 도면 제작성 (R 중대)	LJY	CSH	LSY	'15.06.08	INSULATION	-	TYPE	WP	
△1	ECO-1505-346 근거 도면 제작성 (색상 추가)	LJY	YSW	BIN	'15.05.29	TOLERANCE EXCEPT AS NOTED	SEE TABLE	SCALE	2/1	
LTR	REVISION RECORD	DR.	CHK.	APP.	DATE	PART NAME	025060 20F ASSY (A),(B)			
DR.	JDR '13.10.29	CHK.	YSW '13.10.29							
CHK.	WSW '13.10.29	APP.	CWK '13.10.29							