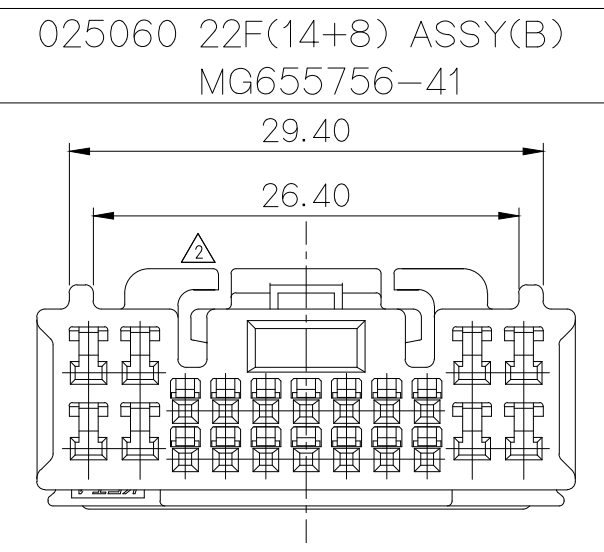
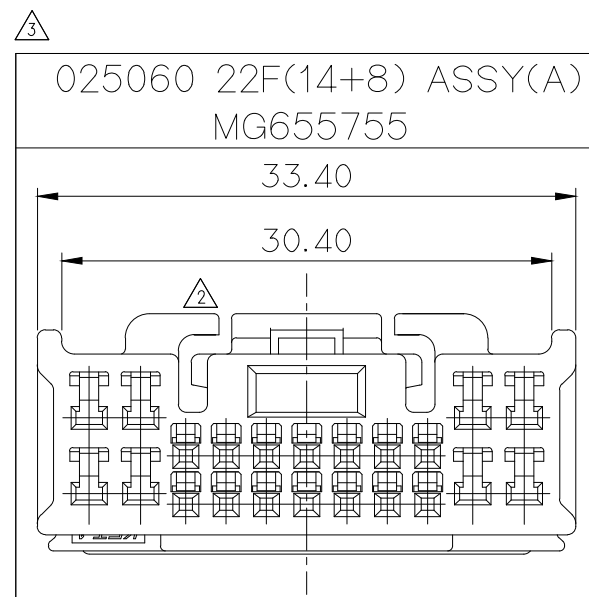
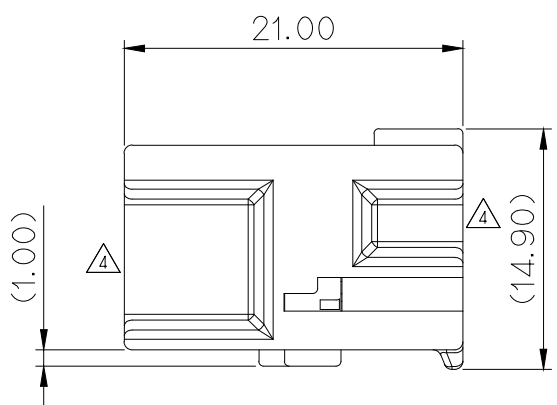
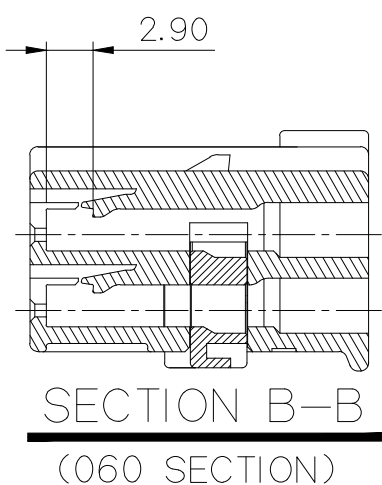
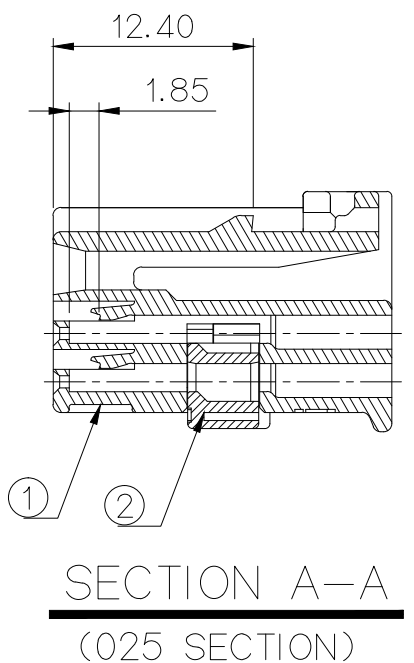
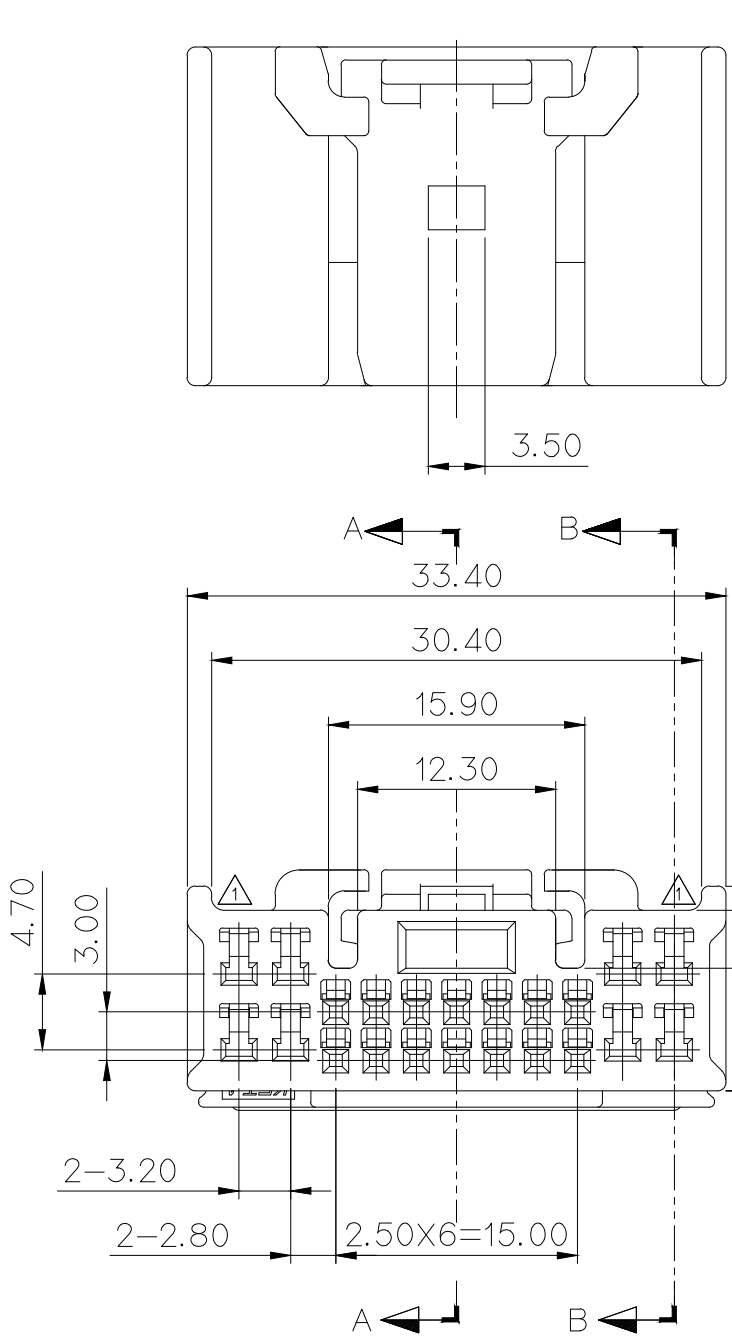


ASS'Y NO.
MG655756-41
MG655755

GENERAL TOLERANCE (HOUSING)										USED ON
10MAX	30MAX	50MAX	70MAX	100MAX	125MAX	250MAX	250VR	ANGLE	ECCENT	
±0.15	±0.2	±0.3	±0.4	±0.5	±0.75	±0.9	±1.4	±30'	0.1	

NO.	PART NAME	MATERIAL	COLOR		
①	025060 22F(14+8) HOUSING(A)	PBT	NATURAL	1	
	025060 22F(14+8) HOUSING(B)		L/GRAY		1
②	025060 22F(14+8) SPACER		YELLOW	1	1



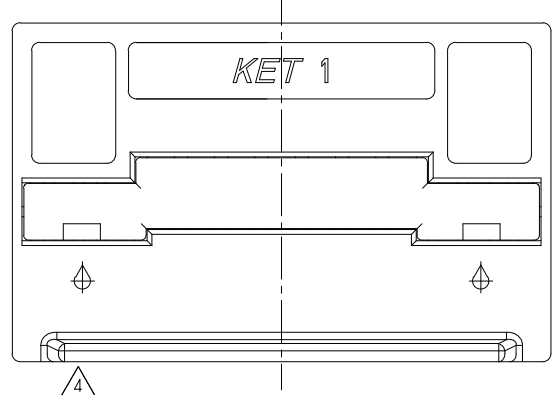
NO.	MATERIAL	COLOR
* 0	P B T:	NATURAL
1		RED
2		BLUE
20		JADE
3		YELLOW
4		GRAY
40		DARK GRAY
* 41		LIGHT GRAY
5		BLACK
6		DARK GREEN
7		BROWN
8	LIGHT GREEN	
9	MAGENTA	
11	ORANGE	

- NOTE**
- MUST BE FREE OF FLASH, SINK AND IMPERFECTION THAT AFFECT FUNCTION.
 - APPLICABLE TERMINAL(025II) : ST731374,731375
APPLICABLE TERMINAL(060) : ST731334,731335,731336
 - MATCHING HOUSING(MG655755) : MG645801
MATCHING HOUSING(MG655756) : MG645800
 - SPACER IS SUPPORT WITH THE 1st LOCK CONDITION.
 - 6 HAZARDOUS SUBSTANCES IN PARTS (LEAD, MERCURY, CADMIUM, HEXAVALENT CHROMIUM, PBBs, PBDEs) SHALL NOT EXCEED THE MAXIMUM PERMISSIBLE CONCENTRATION PRESCRIBED UNDER EU ELV DIRECTIVE & RoHS REGULATION.

- 주 기**
- 기능상 유해한 BURR 및 WELDLINE등이 없을것.
 - 적용 TERMINAL(025II) : ST731374, 731375 / (060) : ST731334, 731335, 731336
 - 상대 HOUSING(MG655755) : MG645801 / (MG655756) : MG645800
 - SPACER는 1차 LOCK 상태로 유지, 공급할 것.
 - 제품내 함유된 6대 유해물질 (납, 수은, 카드뮴, 6가크롬, PBBs, BPDEs)은 EU ELV 지침 및 RoHS 법규에서 지정한 최대 허용 농도를 지정한 최대 허용 농도를 초과해서는 안된다.

APPROVED
2021-11-03
KOREA ELECTRIC
TERMINAL CO., LTD.
Korea Electric Terminal Co., LTD.

ISSUE MARK



ECO-2105-270 큰거 도면 제작성	LND	KSC	CJH	'21.05.26	MATERIAL	SEE TABLE	KET KOREA ELECTRIC ENGINEERED TERMINAL CO., LTD.		
ECO-2003-144 큰거 도면 제작성	SDI	KSC	CJH	'20.03.10	FINISH	SEE TABLE			
ECO-1706-011 큰거 도면 제작성 (LEVER 들림 방지 구조 강도 보강)	LND	NKT	CJH	'17.06.01	WIRE RANGE	CLASS			
ECO-1506-146 큰거 도면 제작성 (R 중대)	LJY	CSH	LSY	'15.06.08	INSULATION	TYPE	025060		
LTR	REVISION RECORD	DR.	CHK.	APP.	DATE	TOLERANCE EXCEPT AS NOTED	SCALE 2/1	PART NO. MG655755 MG655756	
DR.	JDR '13.10.29	CHK.	YSW '13.10.29	PART NAME				025060 22F(14+8) ASSY (A),(B)	
CHK.	WSW '13.10.29	APP.	CWK '13.10.29						