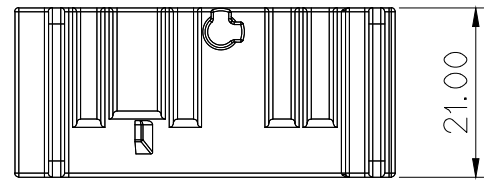
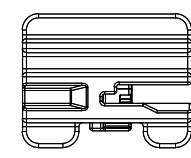
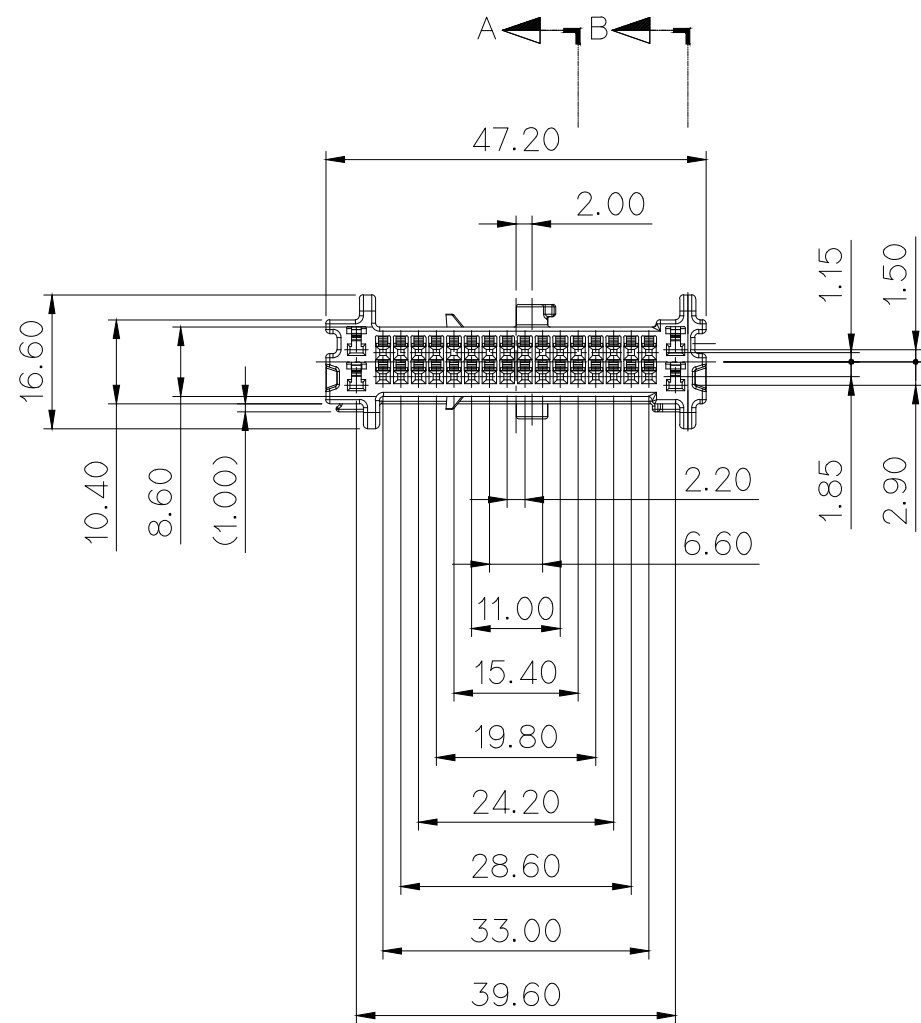


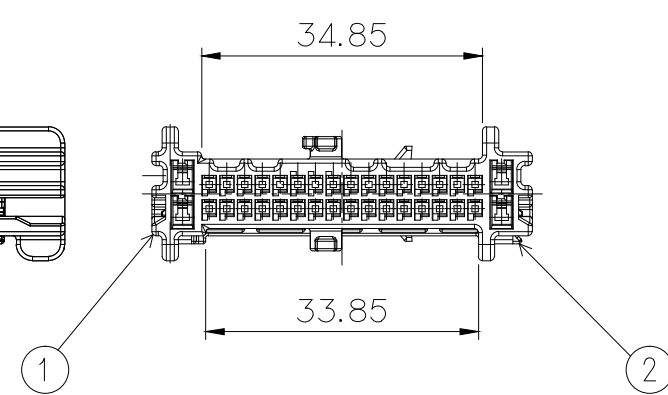
ISO VIEW



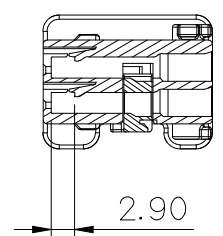
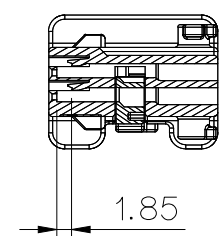
21.00



SECTION A-A



SECTION B-B



GENERAL TOLERANCE (HOUSING)										USED ON
10MAX	30MAX	50MAX	70MAX	100MAX	120MAX	250MAX	250VR	ANGLE	ECCENT	
±0.15	±0.2	±0.3	±0.4	±0.5	±0.75	±0.9	±1.4	±30'	0.1	

주 기

1. 기능상 유해한 BURR 및 WELDLINE 등이 없을 것.
2. 적용 TERMINAL(025) : ST731374, 1375-3
적용 TERMINAL(060) : ST731334, 1335, 1336-3
- △ 3. 적용 LEVER : MG635676-5
4. 제품내 함유된 6대 유해물질 (납,수은,카드뮴,6가크롬, PBBs,PBDEs)은 EU ELV 지침 및 RoHS 법규에서 지정한 최대 허용 농도를 초과해서는 안된다.

NOTE

1. MUST BE FREE OF FLASH, WELDLINE AND IMPERFECTION THAT AFFECT FUNCTION.
2. APPLICABLE TERMINAL(025) : ST731374, 1375-3
APPLICABLE TERMINAL(060) : ST731334, 1335, 1336-3
- △ 3. APPLICABLE LEVER : MG635676-5
4. 6 HAZARDOUS SUBSTANCES IN PARTS (LEAD, MERCURY, CADMIUM, HEXAVALENT CHROMIUM, PBBs, PBDEs) SHALL NOT EXCEED THE MAXIMUM PERMISSIBLE CONCENTRATION PRESCRIBED UNDER EU ELV DIRECTIVE & RoHS REGULATION.

APPROVED
2018-12-11
KOREA ELECTRIC
TERMINAL CO., LTD.
Connector Development Team 1

ISSUE MARK

NO.	PART NAME	PART NO.	MATERIAL	COLOR	QTY.
1	025060 36F Housing	MG676104	PBT	NATURAL	1
2	025060 36F Spacer	MG676105	PBT	YELLOW	1

MATERIAL	SEE TABLE		KOREA ELECTRIC TERMINAL CO., LTD.	
FINISH	SEE TABLE		CLASS	
WIRE RANGE		TYPE 025/060		
INSULATION		PART NO. MG655768		
△ 주기 수정 (ECO-1311-202에 근거) Y.M.K K.M.H C.W.K '13.11.27	DR. Y.M.K 2013.10.21	CHK. K.M.H 10/24	APP. C.W.K 10/24	DATE 10/24
LTR	REVISION RECORD	DR.	CHK.	APP.
TOLERANCE EXCEPT AS NOTED SEE TABLE	SCALE 1/1	PART NAME 025060 36F ASSY		