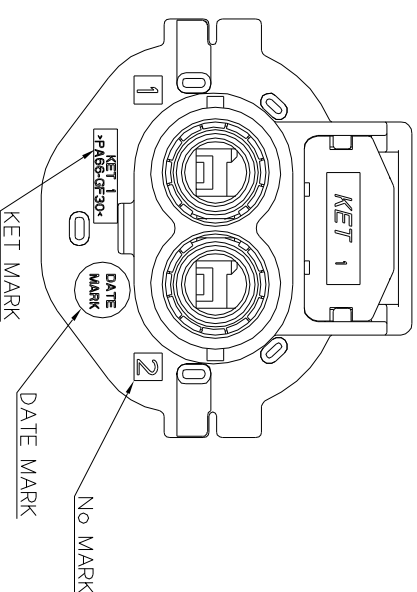
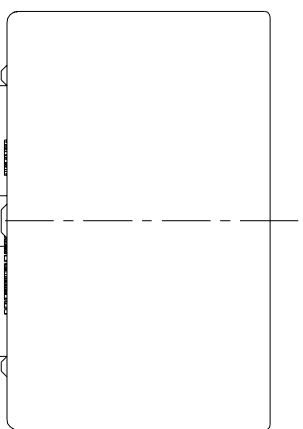
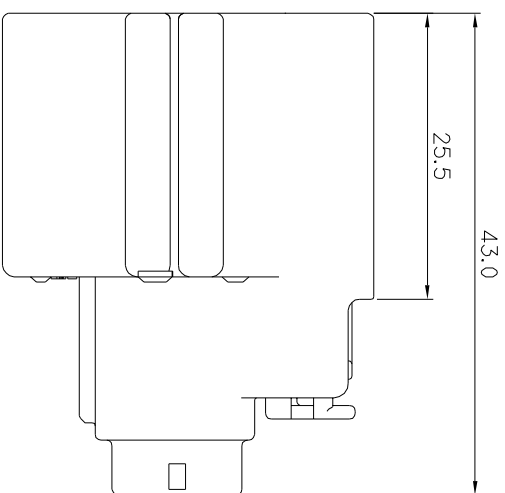
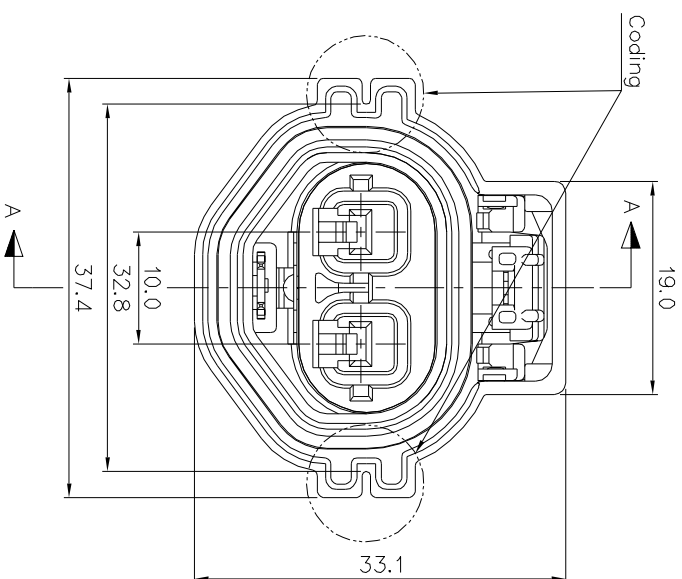
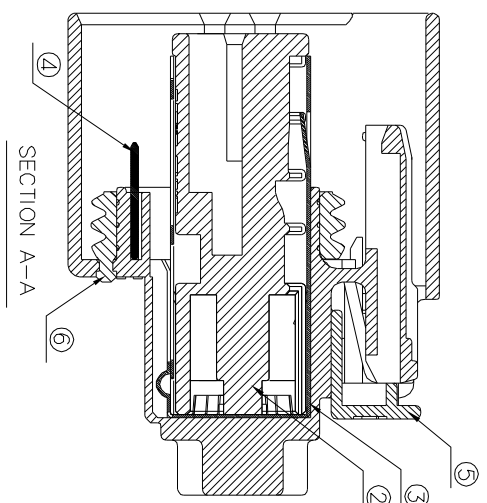
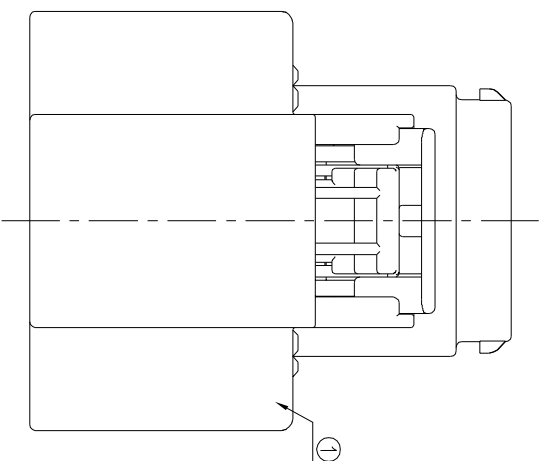


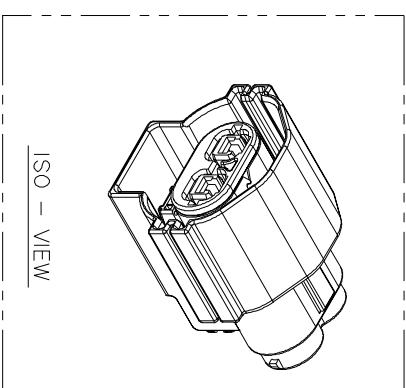
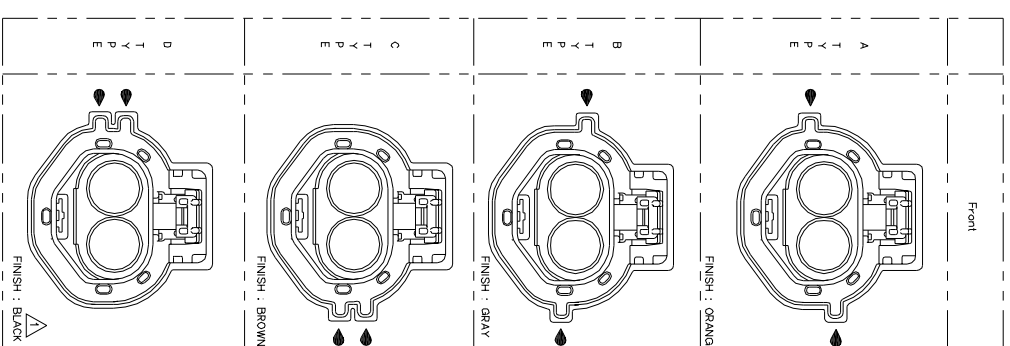
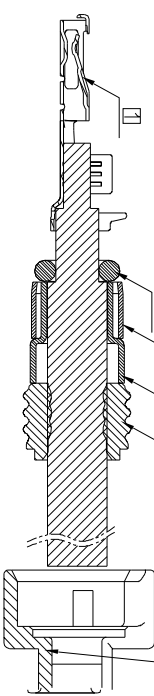
GENERAL TOLERANCE					USED ON
10MAX	50MAX	100MAX	250VR	ANGLE	ECCENT
±0.2	±0.3	±0.55	±0.95	±1.4	±30'
					0.1



NO.	ISO - VIEW	PART NAME	MATERIAL	FINISH	U/S
①		HVSC 20A 2F Outer Housing	E.P	SEE TABLE	TEA
②		HVSC 20A 2F FS Housing	E.P	ΔGray	TEA
③		HVSC 20A 2F Shield Shell	COPPER	Sn	TEA
④		HVSC 20A 2F Joint Spring	COPPER	Sn	TEA
⑤		GS 150 WP CPA	E.P	ΔRED	TEA
⑥		HVSC 20A 2F Inner Seal	SILICONE	RED	TEA

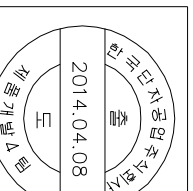
APPLICABLE SUB PART

NO.	ISO - VIEW	PART NAME	PART NO.	MATERIAL	FINISH	U/S
①		280(110) Female TERMINAL	ΔST731281-3	COPPER	TIN	2EA
②		HVSC 20A 2M O-Ring	ΔMG685454	SILICONE	BLACK	2EA
③		HVSC 20A 2P Wire Crimp Ring	ΔMG685456	COPPER	Sn	2EA
④		HVSC 20A 2P Wire Support Ring	ΔMG685455	COPPER	Sn	2EA
⑤		HVSC 20A 2P 280 Wire Seal	ΔMG685453	SILICONE	RED	2EA
⑥		HVSC 20A 2P Rearholder	ΔMG635695-2	E.P	BLUE	TEA



NOTE

- MUST BE FREE OF BURR, WELDLINE AND IMPERFECTION THAT AFFECT FUNCTION.
- 6 HAZARDOUS SUBSTANCES IN PARTS (LEAD, MERCURY, CADMIUM, HEXAVALENT CHROMIUM, PBBs, PPDES) SHALL NOT EXCEED THE MAXIMUM PERMISSIBLE CONCENTRATION PRESCRIBED UNDER EU ELV DIRECTIVE & ROHS REGULATION.
- COMPLYING WITH KETS-D-511 Rev1.
- COMPLYING WITH IP2XB WHICH IEC-60529, ISO-20653 & ECE R-100 ARE SPECIFYING.



ISSUE MARK

**KET** KOREA ELECTRIC TERMINAL CO., LTD.

Application Type	Connector P/N	Coding Type	Color	Matching P/N
HVSC 20A 2F FS Connector A Type	MG655773	A	Orange	MG645814
HVSC 20A 2F FS Connector B Type	MG655774	B	Gray	MG645815
HVSC 20A 2F FS Connector C Type	MG655775	C	Brown	MG645816
HVSC 20A 2F FS Connector D Type	MG655776	D	Black	MG645817

DR	CHK	MA, JH	APP	DATE	PART NAME
					HVSC 20A 2F FS Connector A-D Type