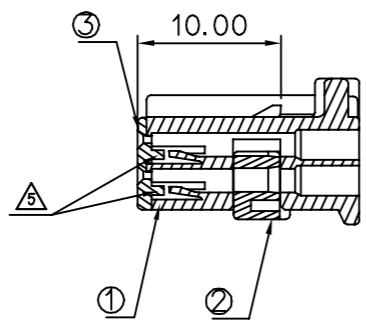
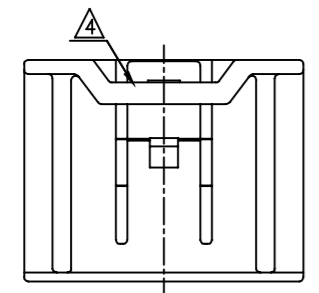
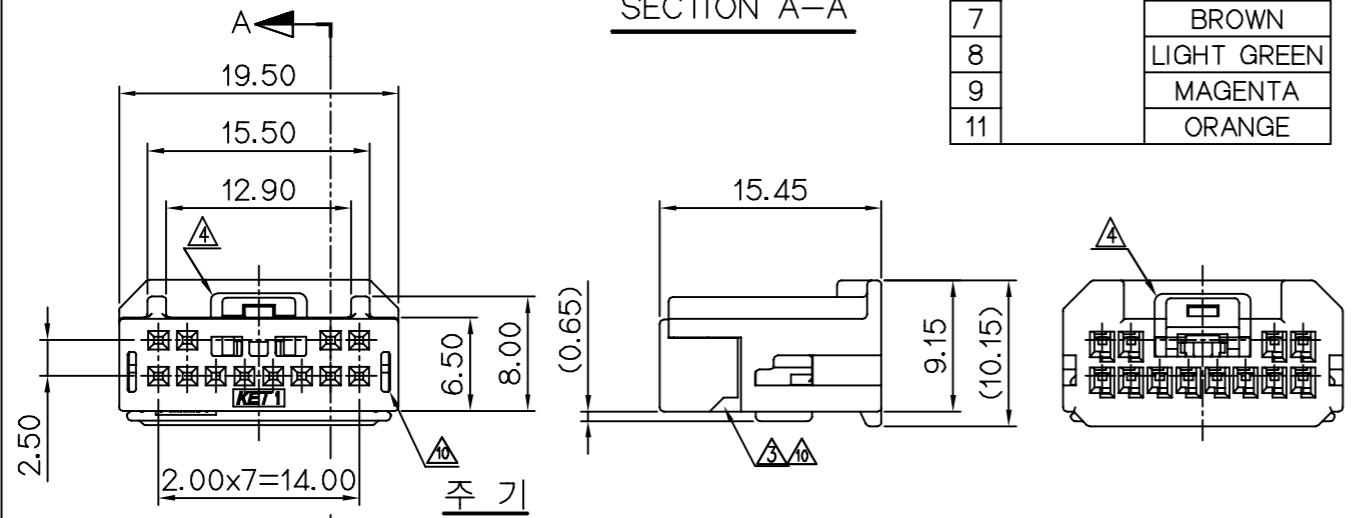


SEE TABLE

CUSTOMER DRAWING



NO.	MATERIAL	COLOR
0	PBT	NATURAL
1		RED
2		BLUE
20		JADE
3		YELLOW
4		GRAY
40		DARK GRAY
41		LIGHT GRAY
5		BLACK
6		DARK GREEN
7		BROWN
8		LIGHT GREEN
9		MAGENTA
11		ORANGE



- 기능상 유해한 BURR 및 WELDLINE 등이 없을 것.
- 적용 TERMINAL(020) : ST731403, ST731407
- 상대 HOUSING : A TYPE - MG645845, B TYPE - MG645866
C TYPE - MG645867, D TYPE - MG645982
- SPACER는 1차 LOCK 상태로 유지, 공급할 것.
- 제품내 함유된 6대 유해물질 (납, 수은, 카드뮴, 6가크롬, PBBs, BPDEs) 은 EU ELV 지침 및 ROHS 법규에서 지정한 최대 허용 농도를 지정한 최대 허용 농도를 초과해서는 안된다.

NOTE

- MUST BE FREE OF FLASH, SINK AND IMPERFECTION THAT AFFECT FUNCTION.
- APPLICABLE TERMINAL(020) : ST731403, ST731407
- MATCHING HOUSING : A TYPE - MG645845, B TYPE - MG645866
C TYPE - MG645867, D TYPE - MG645982
- SPACER IS SUPPORT WITH THE 1st LOCK CONDITION.
- 6 HAZARDOUS SUBSTANCES IN PARTS (LEAD, MERCURY, CADMIUM, HEXAVALENT CHROMIUM, PBBs, PBDEs) SHALL NOT EXCEED THE MAXIMUM PERMISSIBLE CONCENTRATION PRESCRIBED UNDER EU ELV DIRECTIVE & RoHS REGULATION.

ECO-2107-134	근거 도면 제작성	KJH	NKT	SSG	'21.07.13
ECO-2007-310	근거 도면 제작성	CKH	NKT	SSH	'20.07.23
ECO-2005-109	근거 도면 제작성	CKH	NKT	SSH	'20.05.12
ECO-1806-018	근거 도면 제작성	JH	KSC	CJH	'18.06.05
ECO-1802-345	근거 도면 제작성	JH	NKT	CJH	'18.02.21

APPROVED
2021-11-03
KOREA ELECTRIC
TERMINAL CO., LTD.
Korea Electric Te
rminal Co., LTD.

GENERAL TOLERANCE (HOUSING)										USED ON
10MAX	30MAX	50MAX	70MAX	100MAX	125MAX	250MAX	250VR	ANGLE	ECCENT	
±0.15	±0.2	±0.3	±0.4	±0.5	±0.75	±0.9	±1.4	±30'	0.1	

KEY CODE VIEW (SCALE 2/1)	ASSY NO	PART	PART NO	MATERIAL	COLOR	QTY.
	MG655794 (A CODE)	①HOUSING	MG676213	PBT	NATURAL	1
		②SPACER	MG676215-3		YELLOW	1
		③F/PLATE	MG676214		NATURAL	1
	MG655794-3 (A CODE)	①HOUSING	MG676213-3	YELLOW	1	
		②SPACER	MG676215	NATURAL	1	
		③F/PLATE	MG676214	NATURAL	1	
	MG655814-5 (B CODE)	①HOUSING	MG676270-5	BLACK	1	
		②SPACER	MG676215-3	YELLOW	1	
		③F/PLATE	MG676214	NATURAL	1	
	MG655815-2 (C CODE)	①HOUSING	MG676281-2	BLUE	1	
		②SPACER	MG676215-3	YELLOW	1	
		③F/PLATE	MG676214	NATURAL	1	
	MG656835-4 (C CODE)	①HOUSING	MG676537-4	GRAY	1	
		②SPACER	MG676215-3	YELLOW	1	
		③F/PLATE	MG676214	NATURAL	1	

ECO-1709-430	근거 도면 제작성	MSJ	NKT	CJH	'17.09.28	MATERIAL	SEE TABLE	KIET KOREA ELECTRIC TERMINAL CO., LTD.			
ECO-1702-393	근거 도면 제작성	NKT	CJH	LSY	'17.02.27	FINISH	SEE TABLE				
ECO-1702-070	근거 도면 제작성	KSC	CJH	LSY	'17.02.04	WIRE RANGE		CLASS			
ECO-1607-220	근거 도면 제작성	LJY	CJH	LSY	'16.07.18	INSULATION		TYPE	020		
ECO-1509-147	근거 도면 제작성	KSY	YSW	BIN	'15.09.17	TOLERANCE EXCEPT AS NOTED	SEE TABLE	SCALE	2/1		
LTR REVISION RECORD						DR.	CHK.	APP.	DATE	PART NO.	SEE TABLE
DR. SYC '14.06.12						CHK.		PART NAME			020 12F ASSY A, B, C, D
CHK. YSW '14.09.19						APP. BIN '14.09.19					

DIMENSIONS IN MM