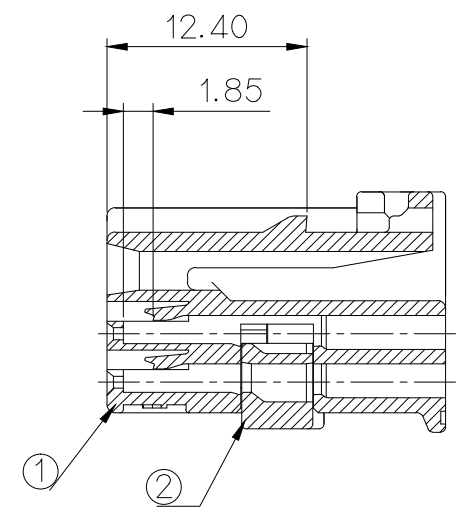
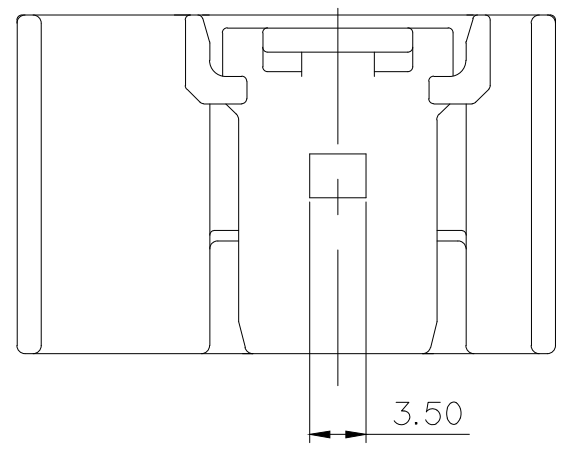
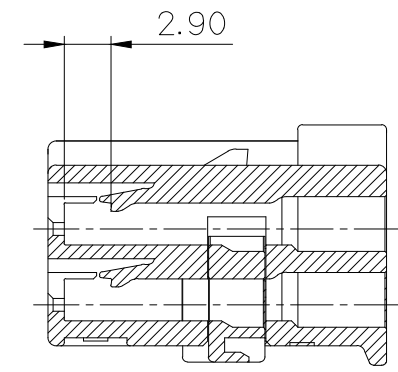


NO.	PART NAME	PART NO.	MATERIAL	COLOR	QTY.
1	025060 22F(14+8) HOUSING	MG676350	SEE TABLE	SEE TABLE	1
2	025060 22F(14+8) SPACER	MG676349	PBT	YELLOW	1

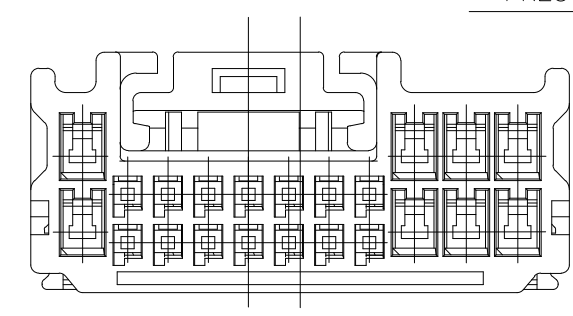
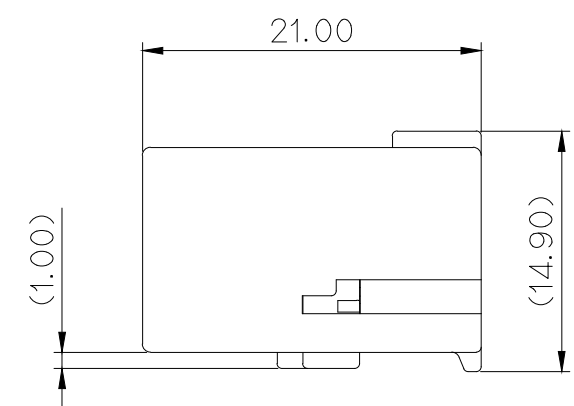
GENERAL TOLERANCE (HOUSING)							USED ON
10 MAX	50 MAX	100 MAX	250 MAX	250 VR	ANGLE	ECCENT	
±0.15	±0.2	±0.3	±0.5	±0.75	±30'	0.1	



SECTION A-A  
(025 SECTION)



SECTION B-B  
(060 SECTION)

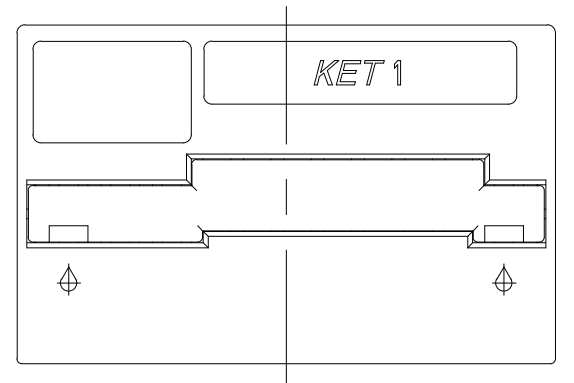


주 기

- 기능상 유해한 BURR 및 WELDLINE등이 없을것.
- 적용 TERMINAL(025II) : ST731374,731375  
적용 TERMINAL(060) : ST731334,731335,731336
- 상대 HOUSING : MG645894
- SPACER는 1차 LOCK 상태로 유지, 공급할 것.
- 제품내 함유된 6대 유해물질 (납, 수은, 카드뮴, 6가크롬, PBBs, BPDEs)은 EU ELV 지침 및 RoHS 법규에서 지정한 최대 허용 농도를 지정한 최대 허용 농도를 초과해서는 안된다.

NOTE

- MUST BE FREE OF FLASH, SINK AND IMPERFECTION THAT AFFECT FUNCTION.
- APPLICABLE TERMINAL(025II) : ST731374,731375  
APPLICABLE TERMINAL(060) : ST731334,731335,731336
- MATCHING HOUSING : MG645894
- SPACER IS SUPPORT WITH THE 1st LOCK CONDITION.
- 6 HAZARDOUS SUBSTANCES IN PARTS (LEAD, MERCURY, CADMIUM, HEXAVALENT CHROMIUM, PBBs, PBDEs) SHALL NOT EXCEED THE MAXIMUM PERMISSIBLE CONCENTRATION PRESCRIBED UNDER EU ELV DIRECTIVE & RoHS REGULATION.



NO.	MATERIAL	COLOR
* 0	P B T	NATURAL
1		RED
2		BLUE
20		JADE
3		YELLOW
4		GRAY
40		DARK GRAY
41		LIGHT GRAY
5		BLACK
6		DARK GREEN
7		BROWN
8	LIGHT GREEN	
9	MAGENTA	
11	ORANGE	

LTR	REVISION RECORD	DR.	CHK.	APP.	DATE
DR.	JY.K '15.01.05	CHK.	YSW		'15.01.05
CHK.		APP.	BIN		'15.01.05

MATERIAL	SEE TABLE		KOREA ELECTRIC TERMINAL CO., LTD.
FINISH	SEE TABLE		Korea Electric Terminal Co., LTD.
WIRE RANGE		CLASS	
INSULATION		TYPE	025060
TOLERANCE EXCEPT AS NOTED	SEE TABLE	SCALE	2/1
PART NAME	025060 22F(14+8) ASSY		
PART NO.	MG655833		

**APPROVED**

**2019-11-06**

**KOREA ELECTRIC TERMINAL CO., LTD.**  
Korea Electric Terminal Co., LTD.

ISSUE MARK