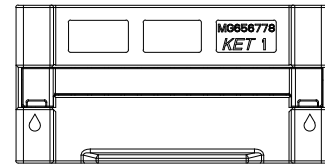
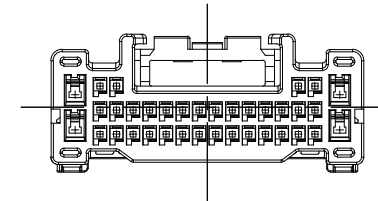
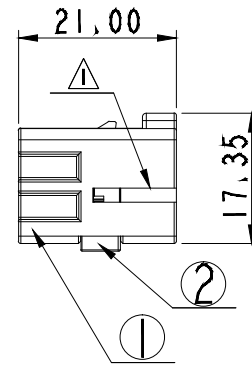
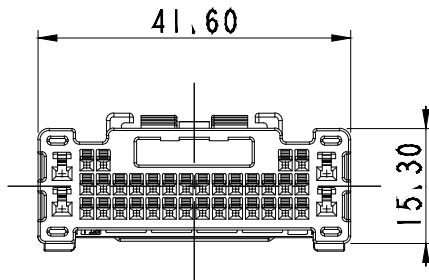
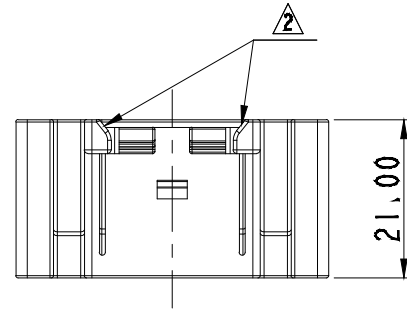


ISO VIEW



GENERAL TOLERANCE (HOUSING)

10 MAX	30 MAX	50 MAX	70 MAX	100 MAX	120 MAX	250 MAX	250 VR	ANGLE	ECCENT	USED ON
±0.15	±0.2	±0.3	±0.4	±0.5	±0.75	±0.95	±1.4	±30°	0.1	

주 기

1. 기능상 유해한 BURR 및 WELDLINE 등이 없을 것.
2. 적용 TERMINAL(02511) ; ST731374-3, ST731375-3
적용 TERMINAL(N060) ; ST731334-3, ST731335-3, ST731336-3
3. 제품내 함유된 6대 유해물질 (납,수은,카드뮴,6가크롬, PBBs, PBDEs)은 EU ELV 지침 및 RoHS 법규에서 지정한 최대 허용 농도를 초과해서는 안된다.

NOTE

1. MUST BE FREE OF FLASH, WELDLINE AND IMPERFECTION THAT AFFECT FUNCTION.
2. APPLICABLE TERMINAL(02511) ; ST731374-3, ST731375-3
APPLICABLE TERMINAL(N060) ; ST731334-3, ST731335-3, ST731336-3
3. 6 HAZARDOUS SUBSTANCES IN PARTS (LEAD, MERCURY, CADMIUM, HEXAVALENT CHROMIUM, PBBs, PBDEs) SHALL NOT EXCEED THE MAXIMUM PERMISSIBLE CONCENTRATION PRESCRIBED UNDER EU ELV DIRECTIVE & RoHS REGULATION.

APPROVED

2019-11-06

KOREA ELECTRIC
TERMINAL CO., LTD.
Korea Electric Terminal Co., LTD.

ISSUE MARK

NO	PART NAME	PART NO	MATERIAL	COLOR	Q'TY
1	025060 36F HOUSING	MG676371	PBT	NATURAL	1
2	025060 36F SPACER	MG676372	PBT	YELLOW	1

MATERIAL	SEE TABLE	KET ENGINEERED	KOREA ELECTRIC TERMINAL CO., LTD.
FINISH	SEE TABLE		
WIRE RANGE		CLASS	
INSULATION		TYPE	025/060
LTR	REVISION RECORD	TOLERANCE EXCEPT AS NOTED	SCALE 1/1
DR, KJH 2014. 12. 18	CHK,	PART NO.	MG656778
CHK, HYJ 2014. 12. 23	APP, LSY 2014. 12. 23	PART_NAME	025060 36F ASSY